



Parts Manual

Generator Set

QSB7-G5 with PowerCommand[®] 1.1 & 2.3 Controls

C125D6D (Spec A-B)

C150D6D (Spec A-B)

C175D6D (Spec A-B)

C200D6D (Spec A-B)

Table of Contents

| Description | Page |
|---------------------------------|-------------|
| Safety Precautions | 2 |
| About This Manual | 3 |
| Quick Serve Online (QSOL) | 4 |
| Related Literature | 4 |
| Model Identification | 5 |
| Abbreviations | 6 |
| Labels | 8 |
| Consumables | 10 |
| Service Consumables | 10 |
| Paint and Thread Sealant | 10 |
| Engine | 12 |
| Engine Accessories | 12 |
| Oil Drain | 16 |
| Air Cleaner | 18 |
| Cooling System | 22 |
| Radiator Guard | 28 |
| Low Coolant Sender | 29 |
| Coolant Heater | 32 |
| Alternator | 36 |
| PMG | 41 |
| Generator Fasteners | 42 |
| Alternator Heater | 44 |
| Chassis | 52 |
| Fuel Tank | 58 |
| Enclosure | 76 |
| Battery Charger | 112 |
| Control | 114 |
| Circuit Breakers | 144 |
| Leads | 164 |
| Current Transformer | 188 |
| Neutral Bar | 189 |
| Engine Harness | 192 |
| AC Harness | 194 |
| Battery | 196 |
| Battery Charger Kit | 197 |
| Battery Heater Kit | 198 |

Safety Precautions

The following symbols are used in Cummins manuals to alert users to the potentially dangerous conditions relating to maintenance of equipment and replacement of parts. Please read and observe.



This symbol warns of immediate hazards which will result in severe personal injury or death.



This symbol refers to a hazard or unsafe practice which can result in severe personal injury or death.



This symbol refers to a hazard or unsafe practice which can result in severe personal injury or product or property damage.

Product Safety Precautions

Before operating the generator set, read the manuals and become familiar with them and the equipment. Safe and efficient operation can be achieved only if the equipment is properly operated and maintained. Many accidents are caused by failure to follow fundamental rules and precautions.



Note:

It is in the Operator's interest to read and understand all Health and Safety information together with all Warnings and Cautions contained within the documentation relevant to the generator set, its operation and daily maintenance.



Improper operation and maintenance can lead to severe personal injury or loss of life and property by fire, electrocution, mechanical breakdown or exhaust gas asphyxiation. Read and follow all safety precautions in the health and safety manual 0908–0110.



Service and repair of Cummins equipment must be performed by trained, experienced personnel only. Improper service, repair or replacement of parts may result in damage to equipment & property, severe personal injury or death. Do not use this catalog as a guide to servicing your equipment. Read and follow the IMPORTANT SAFETY INSTRUCTIONS in the Service Manual appropriate for the equipment you are working on.



Contact with USED ENGINE OILS has been identified by a United States federal agency and some USA state agencies as causing CANCER or REPRODUCTIVE TOXICITY. When checking or changing engine oils take all necessary precautions not to ingest, breathe the fumes or contact the used oil.



Contact with ASBESTOS has been identified by a United States federal agency and some USA state agencies as causing CANCER or REPRODUCTIVE TOXICITY. When handling engine gaskets take all necessary precautions not to ingest, breathe or contact the dust from the gaskets! Use adequate ventilation and wear protective gloves, masks and clothing!



Contact with BENZINE and LEAD, found in gasoline, fuel additives and solvents has been identified by a United States federal agency and some USA state agencies as causing CANCER or REPRODUCTIVE TOXICITY. When checking, draining or adding gasoline and fuel additives or using solvents take all necessary precautions not to ingest, breathe the fumes or contact the liquids. Use adequate ventilation and wear protective gloves, masks and protective clothing!

About This Manual

This manual applies to the generator models C125D6D – C200D6D. Parts illustrations are arranged in groups relating to their position and function on the generator set. Each part illustrated is identified by a reference number corresponding to the list of part numbers in the accompanying table.

Engine and alternator parts that have been modified or added by Cummins are identified in this manual. Contact your nearest authorized distributor for assistance in ordering replacement parts. All other replacement parts must be ordered from the engine/alternator manufacturer by referring to the item nameplate and supplying all available information.

| Cummins Generator Model | Cummins Engine Model |
|-------------------------|----------------------|
| C125D6D | QSB7-G5 |
| C150D6D | QSB7-G5 |
| C175D6D | QSB7-G5 |
| C200D6D | QSB7-G5 |

Generator Set Data Table

| Model and Specification | Electrical Data | | | | Battery Voltage |
|-------------------------|-----------------|-------|-------|-------|-----------------|
| | Watts | Volts | Hertz | Phase | |
| C125D6D/* | 125,000 | # | 60 | 1 / 3 | 12VDC |
| C150D6D/* | 150,000 | # | 60 | 1 / 3 | 12VDC |
| C175D6D/* | 175,000 | # | 60 | 1 / 3 | 12VDC |
| C200D6D/* | 200,000 | # | 60 | 1 / 3 | 12VDC |

* – The diagonal line (/) in the model and specification number separates generator set characteristics from the specification number and letter. The specification number denotes customer requested options or deviations from the standard model. The specification letter advances (A to B, B to C, etc.) with major manufacturing changes.

– ≤600VAC (Refer to Genset Data Sheet).

Quick Serve Online (QSOL)

Documentation and operator manuals pertaining to the generator set are available on QuickServe Online.

QuickServe Online: <https://quickserve.cummins.com/info/index.html>

The information contained within this manual is based on information available at the time of going to print. In line with Cummins policy of continuous development and improvement, information may change at any time without notice. Obtain the most up to date version available on QuickServe Online or contact your authorized distributor for assistance.

Related Literature

The related literature that is appropriate to your generator set includes:

- Installation Manual for QSB7 Engine with PCC1.1/2.3 Control (A056K983)
- Operator Manual for QSB7 Engine with PCC1.1 Control (A056K985)
- Operator Manual for QSB7 Engine with PCC2.3 Control (A060H298)
- Health and Safety Manual (0908–0110–00)
- Global Commercial Warranty Statement (A028U870)
- Emission Warranty Statement (Federal Emissions EPA Title 40 CFR Part 90 Component Warranty) (A028X278)
- Warranty Administration Manual (4021290)
- Seismic Certification (A045V378)
- Generator Set Service Manual for QSB7 Engine with PCC1.1 Control (A056K987)
- Generator Set Service Manual for QSB7 Engine with PCC2.3 Control (A060H299)
- Controller Service Manual for PowerCommand 1.1 Controller (A034L440)
- Controller Service Manual for PowerCommand 2.3 Controller (0900–0666)
- Recommended Spares List (RSL) for C125D6D Generator Sets (A060Y780)
- Recommended Spares List (RSL) for C150D6D Generator Sets (A060Y785)
- Recommended Spares List (RSL) for C175D6D Generator Sets (A060Y790)
- Recommended Spares List (RSL) for C200D6D Generator Sets (A060Y796)
- Universal Annunciator Owner Manual (0900–0301)
- Standard Repair Times – CX Family (0900–0912)
- Service Tool Manual (A043D529)
- Failure Code Manual (F1115C)
- Engineering Application Manual *T-030: Liquid Cooled Generator Sets* (A040S369)
- Engine Operation and Maintenance Manual (4021531)

If further information is required, contact your authorized distributor.

Model Identification

This manual covers generator set models produced under the Cummins brand name.

To avoid errors or delay in filling your parts order, always state the MODEL and SERIAL NUMBER from the Cummins nameplate.

| | | | |
|--------------------------|--|------------------|--|
| Model No. [REDACTED] | | | |
| Serial No. [REDACTED] | | Spec. [REDACTED] | |
| | | | |
| | | | |
| | | | |
| FREQUENCY: 60 HZ | | | |
| SERVICE RATING: | | | |
| PHASE: 3PH 3PH | | | |
| RATED KW: | | | |
| POWER FACTOR: 0.8 0.8 | | | |
| RATED KVA: | | | |
| 12 CAPABILITY: | | | |
| CONNECTIONS: | | | |
| BATTERY: VOLTS AMPS AMPS | | | |
| VDC 2400 | | | |
| 2400/4160 | | | |
| ROTATING | | | |
| SPEED: | | | |
| 1800RPM | | | |
| NOMINAL | | | |
| RATED | | | |
| FUEL: | | | |
| WIRING DIAGRAM: | | | |

The engine serial number is located on a data tag on the engine or is stamped on the engine block.

The control software number is located on the electronic control module (ECM) or can be obtained via the digital interface if one is available.

For reference document your generator set information in the spaces below.

Generator Set Model Number: _____

Generator Set Serial Number: _____

Generator Spec Letter: _____

Engine Serial Number: _____

Digital Control Software: _____

Abbreviations


Some of the following abbreviations may be used throughout this Parts Manual:

| | | | |
|-------|--|-----------------|--|
| AC | Alternating Current | LED | Light-Emitting Diode |
| ACB | Air Circuit Breaker | LTP | Limited Time Power Rating |
| ACH | Anti-Condensations Heaters | LTA | Low Temperature Aftercooling |
| ATS | Automatic Transfer Switch | LV | Low Voltage |
| Amp | Ampere | M | Meter |
| A/R | As Required | MCB | Miniature Circuit Breaker |
| AVR | Automatic Voltage Regulator | MCCB | Moulded Case Circuit Breaker |
| AWG | American Wire Gauge | MF | Mains Failed |
| BHP | Brake Horsepower | MFSS | Master First Start Sensor |
| BMS | Building Measurement System | mm | Millimeter |
| BST | Busbar Sensing Transformer | MOH | Mobile Off Highway |
| CAN | Controlled Area Network | MR | Mains Returned |
| CB | Circuit Breaker | MST | Mains Sensing Transformer |
| CCA | Cold Cranking Amps | MSU | Mains Sensing Unit |
| CHP | Combined Heat and Power | MV | Medium Voltage |
| COP | Continuous Power Rating | NEC | Neutral Earthing Contact |
| CT | Current Transformer | NFS | Not For Sale |
| | | NPT | National Pipe Thread |
| dB(A) | Unit of noise level | OD | Outside Diameter |
| DC | Direct Current | oz. | Ounce |
| Deg | Degree | PC | PowerCommand 3.3 |
| DIP | Dual In-line Package | PC | Printed Circuit |
| DMC | Digital Master Control | PF | Power Factor |
| DMSU | Demand Load Standby Unit | Ph | Phase |
| ECM | Engine Control Module | PFC | Power Factor Controller |
| EFC | Electronic Fuel Control | PLC | Programmable Logic Controller |
| EIT | External/Internal Tooth | PMG | Permanent Magnet Generator |
| EMCU | Engine Monitoring and Control Unit | PRP | Prime Power Rating |
| EMF | Electromotive Force | PSU | Power Supply Unit |
| EPROM | Erasable Programmable Read Only Memory | PT/CT | Potential Transformer/Current Transformer |
| EPU | Engine Protection Unit | PTC | Power Transfer Control |
| ET | External Tooth | QCC | Quadrature Current Control |
| FAE | Full Authority Engine | RFI | Radio Frequency Interference |
| FSS | First Start Sensor | RMS | Root Mean Square |
| GCP | Generator Control Panel | RPM | Revolutions Per Minute |
| GFI | Ground Fault Interrupter | RT | Right |
| GKWT | Global Kilowatt Transducer | RTD | Resistance Temperature Detector |
| HMI | Human/Machine Interface | Spec | Specification |
| HV | High Voltage | Thk | Thick |
| IC | Integrated Circuit | UL | Underwriters Laboratories Inc. |
| ID | Inside Diameter | UNC | Union National Coarse |
| IEC | International Electrotechnical Commission | UNF | Union National Fine |
| I/O | Input / Output | V | Volts |
| IT | Internal Tooth | VAC | Volts, Alternating Current |
| kVA | Apparent Power | VCB | Vacuum Circuit Breaker |
| kVAR | Reactive Power | VDC | Volts, Direct Current |
| kW | Active / Real Power (Kilowatt) | VF | Volt-free |
| kWh | Unit of electrical energy or work | VT | Voltage Transformer |
| LPG | Liquid Petroleum Gas | W/(ET, IT, EIT) | With |
| LT | Left | | |


This page is Intentionlly blank.

Labels


1

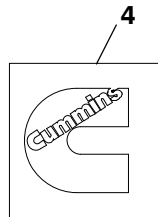
| | | |
|---|---|---|
| <p>⚠ AVERTISSEMENT</p> <p>Risque de chute. Peut provoquer de graves blessures. Ne pas se tenir ou marcher sur l'unité.</p> |  | <p>⚠ WARNING</p> <p>Fall hazard. Can cause severe injury. Do not step or stand on top of unit.</p> <p>AA490115 REV A</p> |
|---|---|---|

2



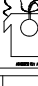
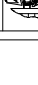
| | | |
|--|---|---|
| <p>⚠ PRUDENCE</p> <p>Surface chaude. Peut causer des brûlures. Permettez un temps de refroidissement avant l'entretien.</p> |  | <p>⚠ CAUTION</p> <p>Hot surfaces. Can cause burns. Let surfaces cool before servicing.</p> <p>AA490117 REV A</p> |
|--|---|---|

3



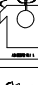
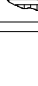
| | | |
|---|---|--|
| <p>⚠ AVERTISSEMENT</p> <p>Gaz combustibles sous pression. Peut entraîner des blessures graves. Ne pas opérer avec les portes ouvertes.</p> |  | <p>⚠ WARNING</p> <p>Pressurized combustible gases. Can cause severe injury. Do not operate with doors open.</p> <p>AA520299 REV A</p> |
|---|---|--|



5

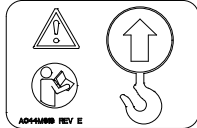
| | | | |
|--|--|--|---|
| <p>⚠ AVERTISSEMENT</p> <p>Le générateur peut commander automatiquement la distance observée sans avertissement. Peut causer des blessures graves et des dommages au matériel. Voir le manuel pour les procédures d'entretien appropriées.</p> |  | <p>⚠ WARNING</p> <p>Generator will start without warning. Can cause severe injury and damage to equipment. See service manual for proper service procedures.</p> | <p>⚠ AVERTISSEMENT</p> <p>Ne pas utiliser de main nue. Do not use bare hands.</p> |
| <p>⚠ AVERTISSEMENT</p> <p>Le générateur peut commander automatiquement la distance observée sans avertissement. Peut causer des blessures graves et des dommages au matériel. Voir le manuel pour les procédures d'entretien appropriées.</p> |  | <p>⚠ WARNING</p> <p>Generator will start without warning. Can cause severe injury and damage to equipment. See service manual for proper service procedures.</p> | <p>⚠ AVERTISSEMENT</p> <p>Ne pas utiliser de main nue. Do not use bare hands.</p> |
| <p>⚠ DANGER</p> <p>Les gaz d'échappement contiennent du monoxyde de carbone toxique, qui est invisible et inodore en petites quantités. Peut causer des blessures graves et des dommages au matériel. Voir le manuel pour les procédures d'entretien appropriées.</p> |  | <p>⚠ DANGER</p> <p>Exhaust gas contains poisonous carbon monoxide, which is invisible and odorless in small amounts. Can cause severe injury and damage to equipment. See service manual for proper service procedures.</p> | <p>⚠ DANGER</p> <p>Ne pas utiliser de main nue. Do not use bare hands.</p> |
| <p>⚠ AVERTISSEMENT</p> <p>Liquide de refroidissement chaud et sous pression. Peut provoquer de graves brûlures. Ne pas ouvrir lorsque l'il est chaud.</p> |  | <p>⚠ WARNING</p> <p>Hot pressurized coolant. Can cause severe burns. Do not open when hot.</p> | <p>⚠ DANGER</p> <p>Rotating parts. Can cause severe injury. Do not operate with guards in place.</p> |

6

| | | | |
|--|---|--|---|
| <p>⚠ AVERTISSEMENT</p> <p>Le générateur peut commander automatiquement la distance observée sans avertissement. Peut causer des blessures graves et des dommages au matériel. Voir le manuel pour les procédures d'entretien appropriées.</p> |  | <p>⚠ WARNING</p> <p>Generator will start without warning. Can cause severe injury and damage to equipment. See service manual for proper service procedures.</p> | <p>⚠ AVERTISSEMENT</p> <p>Ne pas utiliser de main nue. Do not use bare hands.</p> |
| <p>⚠ AVERTISSEMENT</p> <p>Le générateur peut commander automatiquement la distance observée sans avertissement. Peut causer des blessures graves et des dommages au matériel. Voir le manuel pour les procédures d'entretien appropriées.</p> |  | <p>⚠ WARNING</p> <p>Generator will start without warning. Can cause severe injury and damage to equipment. See service manual for proper service procedures.</p> | <p>⚠ AVERTISSEMENT</p> <p>Ne pas utiliser de main nue. Do not use bare hands.</p> |
| <p>⚠ DANGER</p> <p>Les gaz d'échappement contiennent du monoxyde de carbone toxique, qui est invisible et inodore en petites quantités. Peut causer des blessures graves et des dommages au matériel. Voir le manuel pour les procédures d'entretien appropriées.</p> |  | <p>⚠ DANGER</p> <p>Exhaust gas contains poisonous carbon monoxide, which is invisible and odorless in small amounts. Can cause severe injury and damage to equipment. See service manual for proper service procedures.</p> | <p>⚠ DANGER</p> <p>Ne pas utiliser de main nue. Do not use bare hands.</p> |
| <p>⚠ AVERTISSEMENT</p> <p>Liquide de refroidissement chaud et sous pression. Peut provoquer de graves brûlures. Ne pas ouvrir lorsque l'il est chaud.</p> |  | <p>⚠ WARNING</p> <p>Hot pressurized coolant. Can cause severe burns. Do not open when hot.</p> | <p>⚠ DANGER</p> <p>Rotating parts. Can cause severe injury. Do not operate with guards in place.</p> |

11

CAN ICES-2/NMB-2
 AMBROS REV A



15

power.cummins.com

17

| | | |
|---|---|--|
| <p>PROTECT YOUR EYES USE EYE PROTECTION AT ALL TIMES. -SPARKS -FLAMES -GASES</p> | <p>DANGER/POISON</p> <p>AVOID -FUMES -GASES -OILS</p> | <p>KEEP YOUR EYES AWAY FROM WATER WATER MAY BE HOT -SPARKS -FLAMES -GASES</p> |
| <p>⚠ WARNING</p> <p>TO AVOID POSSIBLE BLIND EYE INJURY, ALWAYS CHARGE AND SERVICE OUTSIDE.</p> | <p>⚠ WARNING</p> <p>TO AVOID POSSIBLE BLIND EYE INJURY, ALWAYS CHARGE AND SERVICE OUTSIDE.</p> | <p>⚠ WARNING</p> <p>TO AVOID POSSIBLE BLIND EYE INJURY, ALWAYS CHARGE AND SERVICE OUTSIDE.</p> |



16

| |
|--|
| <p>⚠ WARNING</p> <p>Rotating parts. Can cause severe injury. Do not operate with guards in place.</p> |
| <p>⚠ AVERTISSEMENT</p> <p>Pièces rotatives. Peut causer des blessures graves. Ne faire en marche que lorsque les protections sont en place.</p> |

13

| | |
|-------------------|-------------------|
| Coolant Heater | Coolant Heater |
| Battery Charger | Battery Charger |
| Alternator Heater | Alternator Heater |
| Oil Pan Heater | Oil Pan Heater |
| CCV Heater | CCV Heater |

18

| | | |
|---|---|---|
| <p>⚠ AVERTISSEMENT</p> <p>Faible déperdition. Peut causer des blessures graves et mortelles. Ne pas utiliser le gros électroaimant sans qu'il soit correctement fixé en place. Réviser l'état des câbles et des bornes électriques avant de procéder à l'entretien.</p> |  | <p>⚠ WARNING</p> <p>Weak holding. Will cause severe injury or death. Do not operate generator with without fasten in place. Inspect all electrical supply sources before servicing.</p> |
| <p>⚠ AVERTISSEMENT</p> <p>Risque d'étincelles et d'arc électrique. Éviter l'arc électrique.</p> |  | <p>⚠ WARNING</p> <p>Risk of flash and arc hazard. Appropriate PPE required.</p> |

19

| | | |
|---|---|--|
| <p>PROTECT YOUR EYES USE EYE PROTECTION AT ALL TIMES. -SPARKS -FLAMES -GASES</p> | <p>DANGER/POISON</p> <p>AVOID -FUMES -GASES -OILS</p> | <p>KEEP YOUR EYES AWAY FROM WATER WATER MAY BE HOT -SPARKS -FLAMES -GASES</p> |
| <p>⚠ WARNING</p> <p>TO AVOID POSSIBLE BLIND EYE INJURY, ALWAYS CHARGE AND SERVICE OUTSIDE.</p> | <p>⚠ WARNING</p> <p>TO AVOID POSSIBLE BLIND EYE INJURY, ALWAYS CHARGE AND SERVICE OUTSIDE.</p> | <p>⚠ WARNING</p> <p>TO AVOID POSSIBLE BLIND EYE INJURY, ALWAYS CHARGE AND SERVICE OUTSIDE.</p> |

20

| |
|---|
| <p>⚠ WARNING</p> <p>Ne pas utiliser le ventilateur de refroidissement pour faire tourner ou pour lever le rotor. Peut provoquer des blessures. Voir le manuel d'utilisation pour obtenir la procédure d'installation appropriée.</p> |
| <p>⚠ AVERTISSEMENT</p> <p>N'utiliser pas de pièces de rechange pour provoquer des blessures graves et/ou des dommages matériels. Pour leur utilisation, utiliser les parties de groupe électrogène.</p> |

21

| |
|--|
| <p>⚠ CAUTION</p> <p>Do not use generator fan for rotating or lifting rotor. Will cause damage to fan. Can cause personal injury. See service manual for proper installation procedure.</p> |
| <p>⚠ PRUDENCE</p> <p>Ne pas utiliser le ventilateur de refroidissement pour faire tourner ou pour lever le rotor. Peut provoquer des blessures. Voir le manuel d'utilisation pour obtenir la procédure d'installation appropriée.</p> |

22

| | |
|--|--|
| <p>⚠ AVERTISSEMENT</p> <p>Le produit peut être exposé à des produits chimiques tels que le charbon noir, connu dans l'État de Californie comme pouvant provoquer un cancer, et le plomb, connu dans l'État de Californie comme pouvant provoquer de anomalies du fœtus pendant la grossesse ou d'autres anomalies de la reproduction humaine. Pour de plus amples informations, veuillez consulter la page Internet www.PESWarnings.ca.gov/product.</p> | <p>⚠ WARNING</p> <p>This product can expose you to chemicals such as carbon black which is known to the State of California to cause cancer, and lead which is known to the State of California to cause birth defects or other reproductive harm. For more information go to www.PESWarnings.ca.gov/product.</p> |
|--|--|

Labels

| Item | Part No. | Description | Qty |
|------|----------|---|-----|
| 1 | A048G915 | Label, Warning | A/R |
| 2 | A048G917 | Label, Caution | A/R |
| 3 | A052U299 | Label, Warning | A/R |
| 4 | | Label, Logo | |
| | A056X628 | 330mm x 330mm | A/R |
| | A056X630 | 174mm x 174mm | A/R |
| 5 | A054U805 | Label, Package (Includes Labels Marked #) | A/R |
| 6 | A048G912 | # * Label, Warning | A/R |
| 7 | A048G923 | # * Label, Danger | A/R |
| 8 | A048G915 | # * Label, Warning | A/R |
| 9 | A048G919 | # * Label, Warning | A/R |
| 10 | A044M633 | # * Label, Information | A/R |
| 11 | A058F810 | Label, Information | A/R |
| 12 | A055N442 | Label, Package (Includes Labels Marked *) | A/R |
| 13 | A052E279 | Label, Marking | A/R |
| 14 | A044M619 | Label, Information | A/R |
| 15 | A044M499 | Label, Marker | A/R |
| 16 | A048G927 | Label, Warning | A/R |
| 17 | A044Y564 | Label, Warning | A/R |
| 18 | A044F254 | Label, Warning | A/R |
| 19 | A048G921 | Label, Warning | A/R |
| 20 | A048G929 | Label, Warning | A/R |
| 21 | A048G925 | Label, Caution | A/R |
| 22 | A061M241 | Label, Warning | A/R |

Consumables

The following is a list of consumables associated with the generator model covered in this manual:

Service Consumables

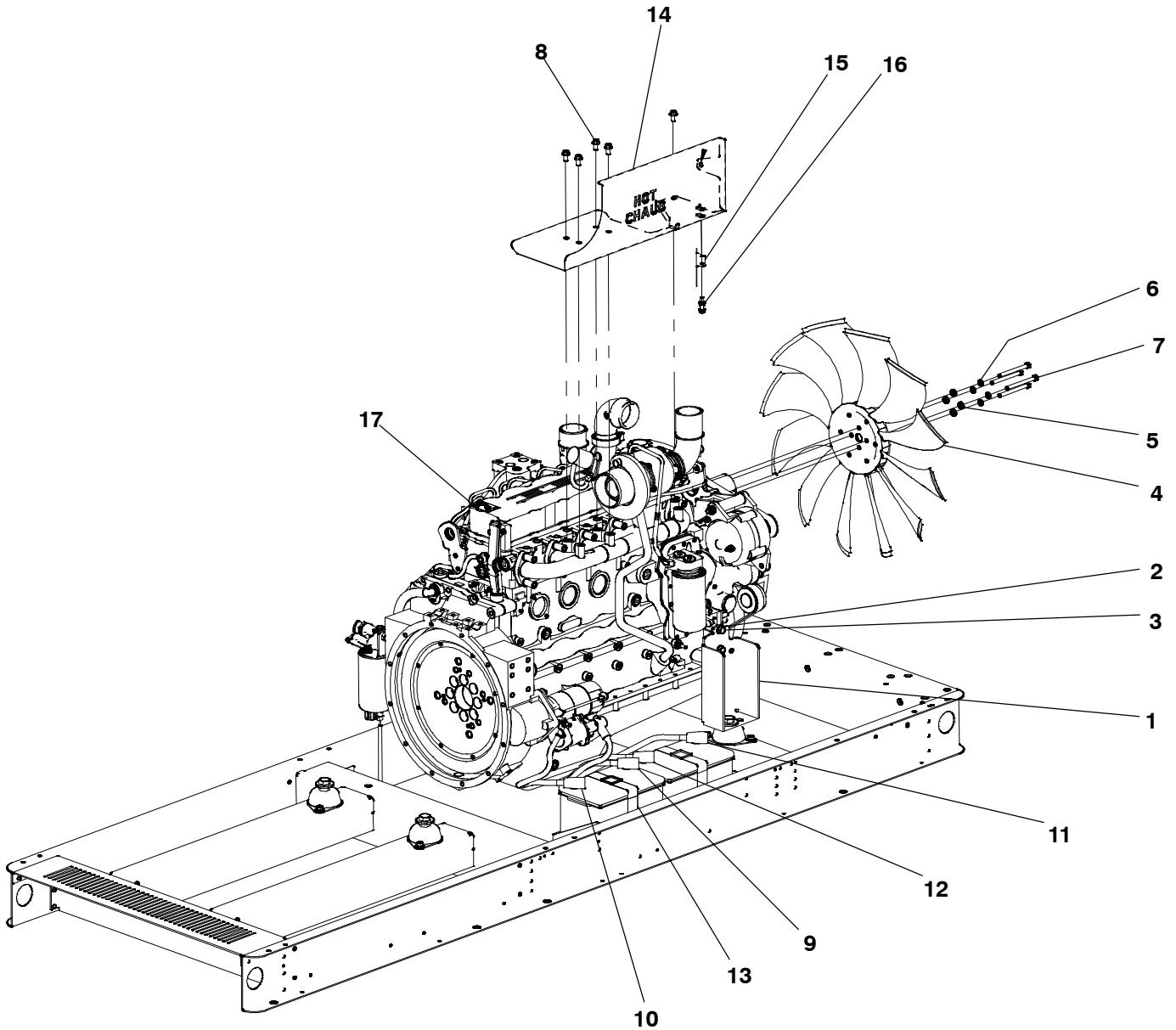
| Ref. Page No. | Part No. | Description | Qty |
|---------------|----------|--|-----|
| 19 | A054E584 | Filter, Air – Heavy Duty | 1 |
| 19 | A055Z870 | Filter, Air – Replacement – Heavy Duty | 1 |
| 21 | A047M180 | Filter, Air – Normal Duty | 1 |

Paint and Thread Sealant

| Item | Part No. | Description | Qty |
|------|----------|---|-----|
| 1 | 525-0305 | Onan Green Enamel (Non-Metallic) 12 oz. Pressurized Spray Can | n/a |
| 2 | 518-0601 | Sealant, Thread (6 ml Tube) | n/a |

This page is Intentionally blank.

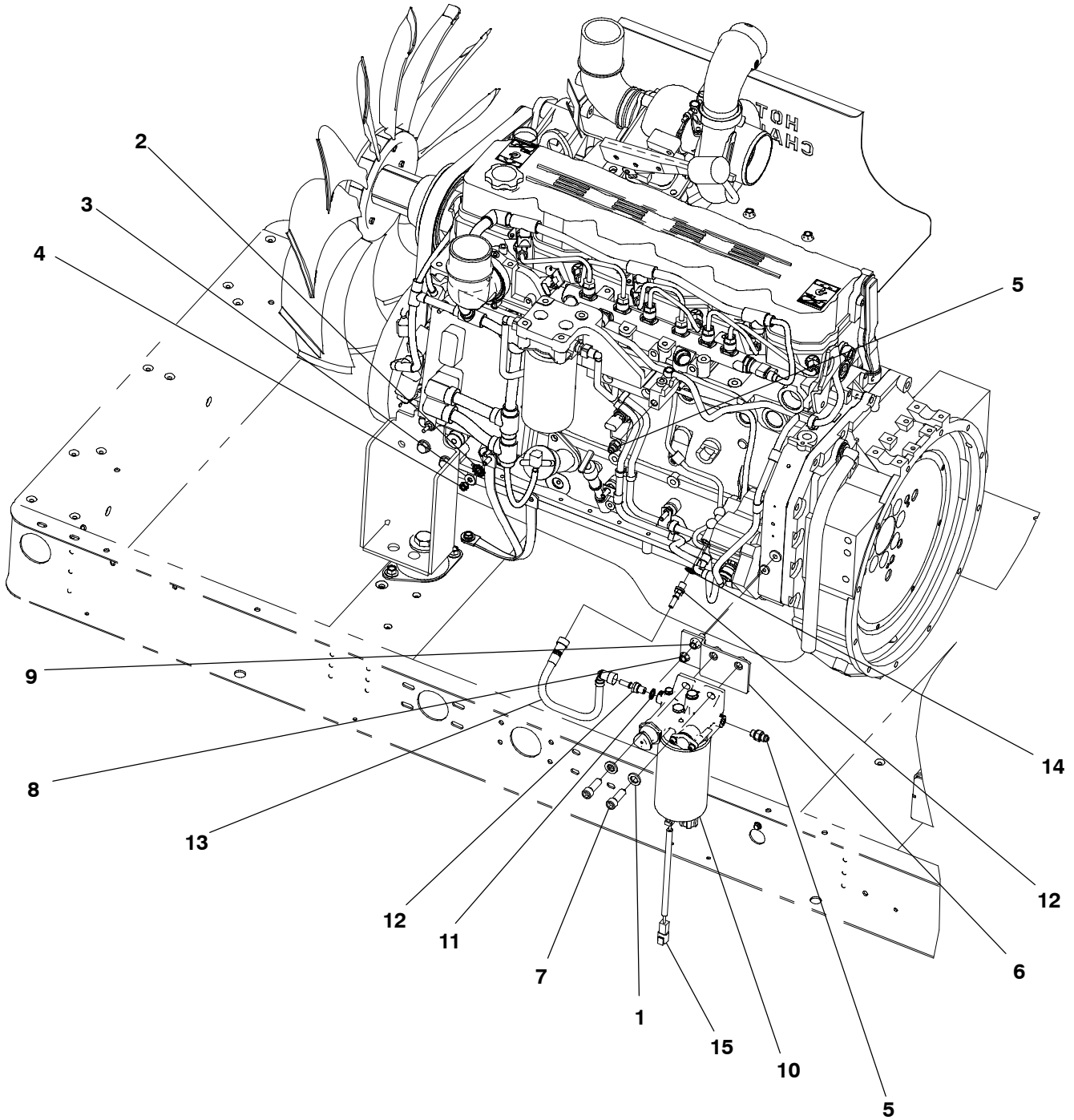
**Engine
Engine Accessories
(Illustration #1)**



Engine Accessories (Illustration #1)

| Item | Part No. | Description | Qty |
|------|--------------|--------------------------|-----|
| | A055D765 | Engine – QSB7–G5 | |
| 1 | A055E287 | Bracket, Engine Mounting | 2 |
| 2 | 0526–0399–64 | Washer, Flat | 8 |
| 3 | 0800–3017–54 | Screw, Hex Head | 6 |
| 4 | A060W304 | Fan, Radiator | 1 |
| 5 | 0526–0174 | Washer, Flat | 4 |
| 6 | 0850–0114–55 | Washer, Lock | 4 |
| 7 | 0800–2101 | Screw | 4 |
| 8 | 0856–0010 | Washer, Lock | 1 |
| 9 | A048S513 | Lead, Battery | 1 |
| 10 | A048S515 | Lead, Battery | 1 |
| 11 | A054M402 | Lead, Battery | 1 |
| 12 | A054M404 | Lead, Battery | 1 |
| 13 | A044G477 | Holddown, Battery | 1 |
| 14 | A060L292 | Shield, Heat | 1 |
| 15 | A060L265 | Shield, Heat | 1 |
| 16 | 0800–6524–01 | Screw, Hex Flange Head | 3 |
| 17 | 0098–7895 | Label, Warning | 2 |

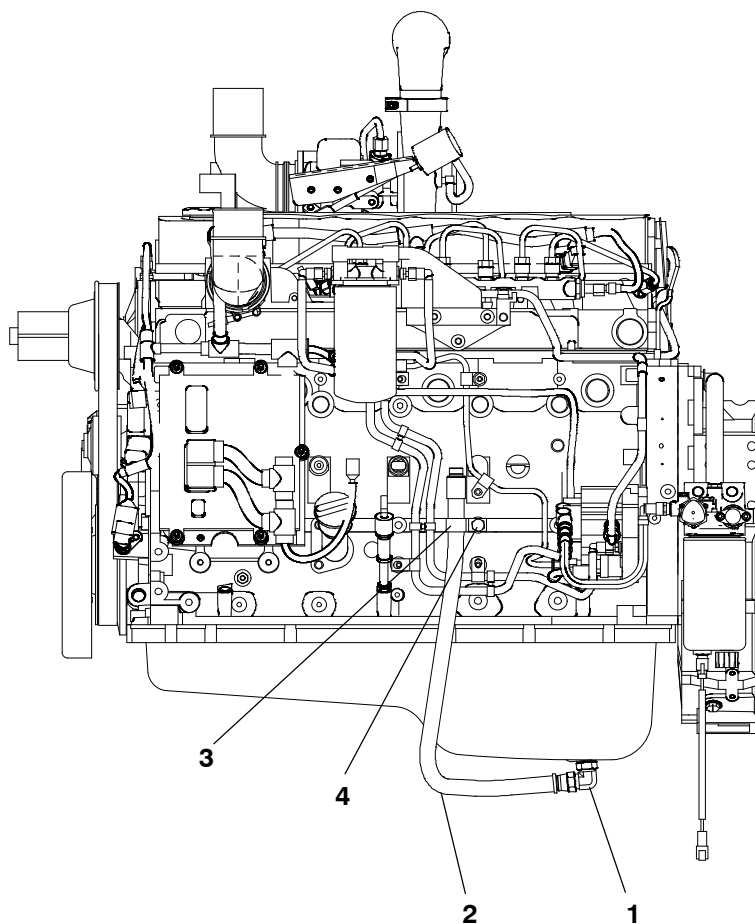
Engine Engine Accessories (Illustration #2)



Engine Accessories (Illustration #2)

| Item | Part No. | Description | Qty |
|------|--------------|-----------------------------------|-----|
| 1 | 0526-0399-64 | Washer, Flat | 8 |
| 2 | 0856-0010 | Washer, Lock | 1 |
| 3 | 0526-2106 | Washer, Flat | 1 |
| 4 | 0860-2008 | Nut | 1 |
| 5 | A054E524 | Adapter, Fuel Line | 2 |
| 6 | A061L108 | Bracket, Fuel Filter | 1 |
| 7 | 0725-1102 | Screw, Socket Head | 2 |
| 8 | 0800-6524-01 | Screw, Hex Flange Head | 3 |
| 9 | 0815-0859-02 | Screw, Hex Flange Head | 1 |
| 10 | A050F841 | Filter, Fuel (Cummins Filtration) | 1 |
| 11 | 3963990 | Washer, Sealing | 1 |
| 12 | 5314964 | Connector, Quick Disconnect | 2 |
| 13 | 5318803 | Hose, Fuel | 1 |
| 14 | 4894721 | Washer, Sealing | 1 |
| 15 | A062X786 | Harness, Wiring | 1 |

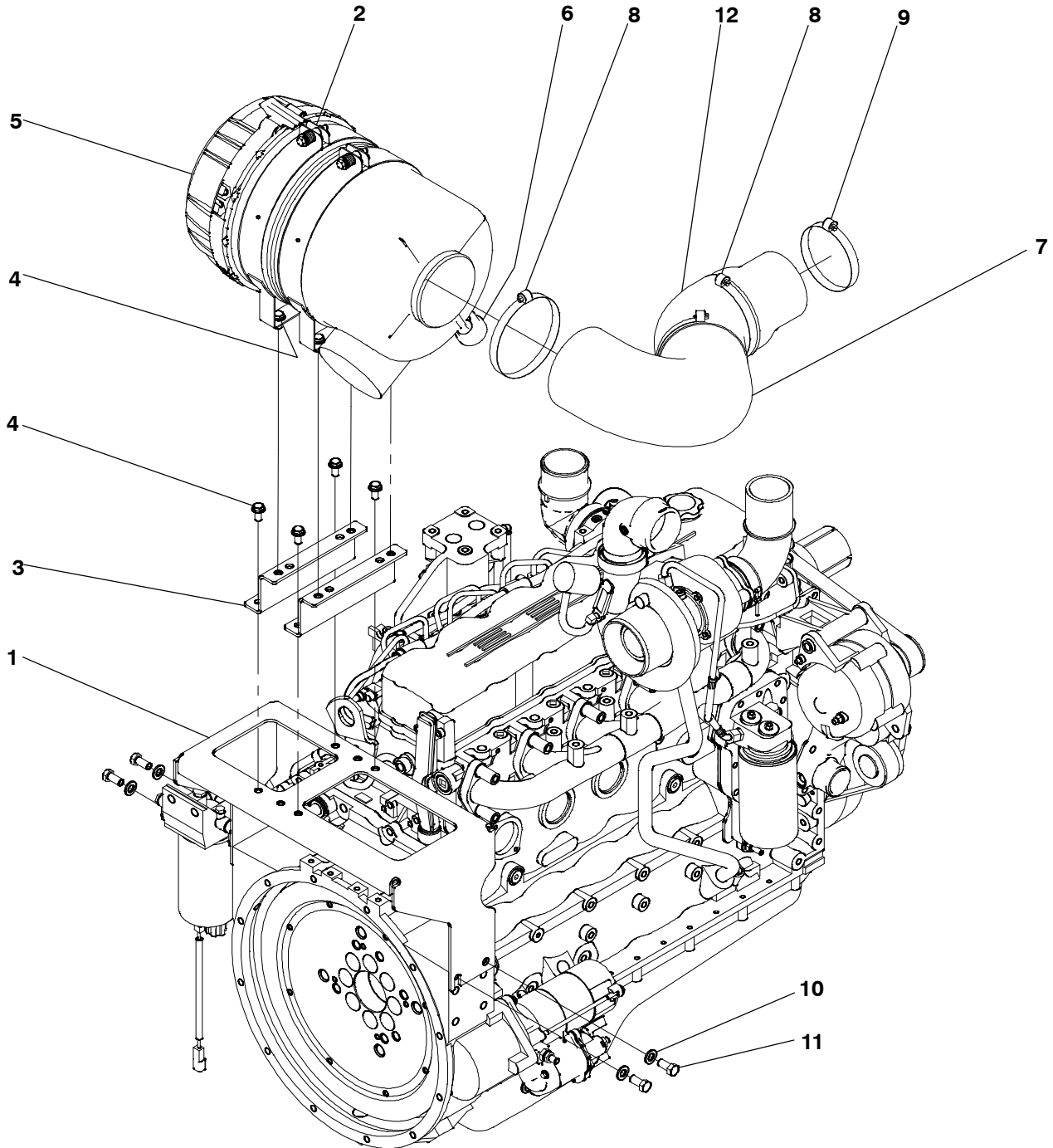
Oil Drain



| Item | Part No. | Description | Qty |
|------|-----------|--------------------|-----|
| 1 | A047K009 | Adapter, Oil Drain | 1 |
| 2 | A050Y446 | Hose, Oil | 1 |
| 3 | 0518-0703 | Clamp, J | 1 |
| 4 | 0800-2111 | Screw, Hex Head | 1 |

This page is Intentionally blank.

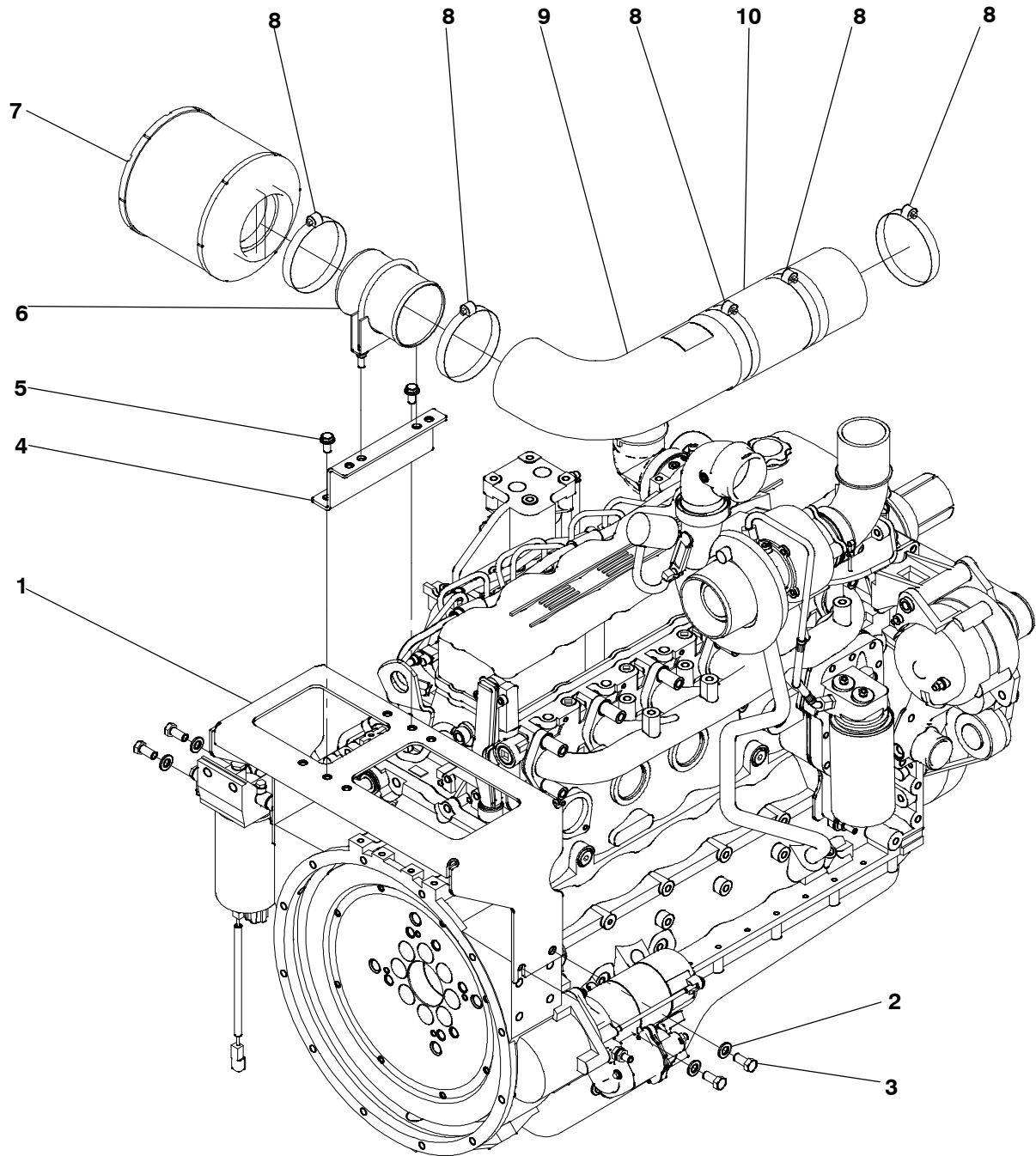
Air Cleaner Heavy Duty



Air Cleaner – Heavy Duty

| Item | Part No. | Description | Qty |
|------|--------------|---------------------------|-----|
| 1 | A057M138 | Support, Air Filter | 1 |
| 2 | A054V542 | Clamp | 2 |
| 3 | A059R237 | Bracket, Filter | 2 |
| 4 | 0821–2060 | Screw, Hex Flange Head | 8 |
| 5 | A054E584 | Filter, Air | 1 |
| | A055Z870 | Filter, Air – Replacement | 1 |
| 6 | A050T121 | Indicator, Restriction | 1 |
| 7 | A056B704 | Hose, Intake | 1 |
| 8 | 0503–1870–10 | Clamp, Hose | 3 |
| 9 | 0503–1870–07 | Clamp | 1 |
| 10 | 0526–2140 | Washer, Flat | 2 |
| 11 | 0800–2111 | Screw, Hex Head | 2 |
| 12 | A055C981 | Sleeve, Flexible | 1 |

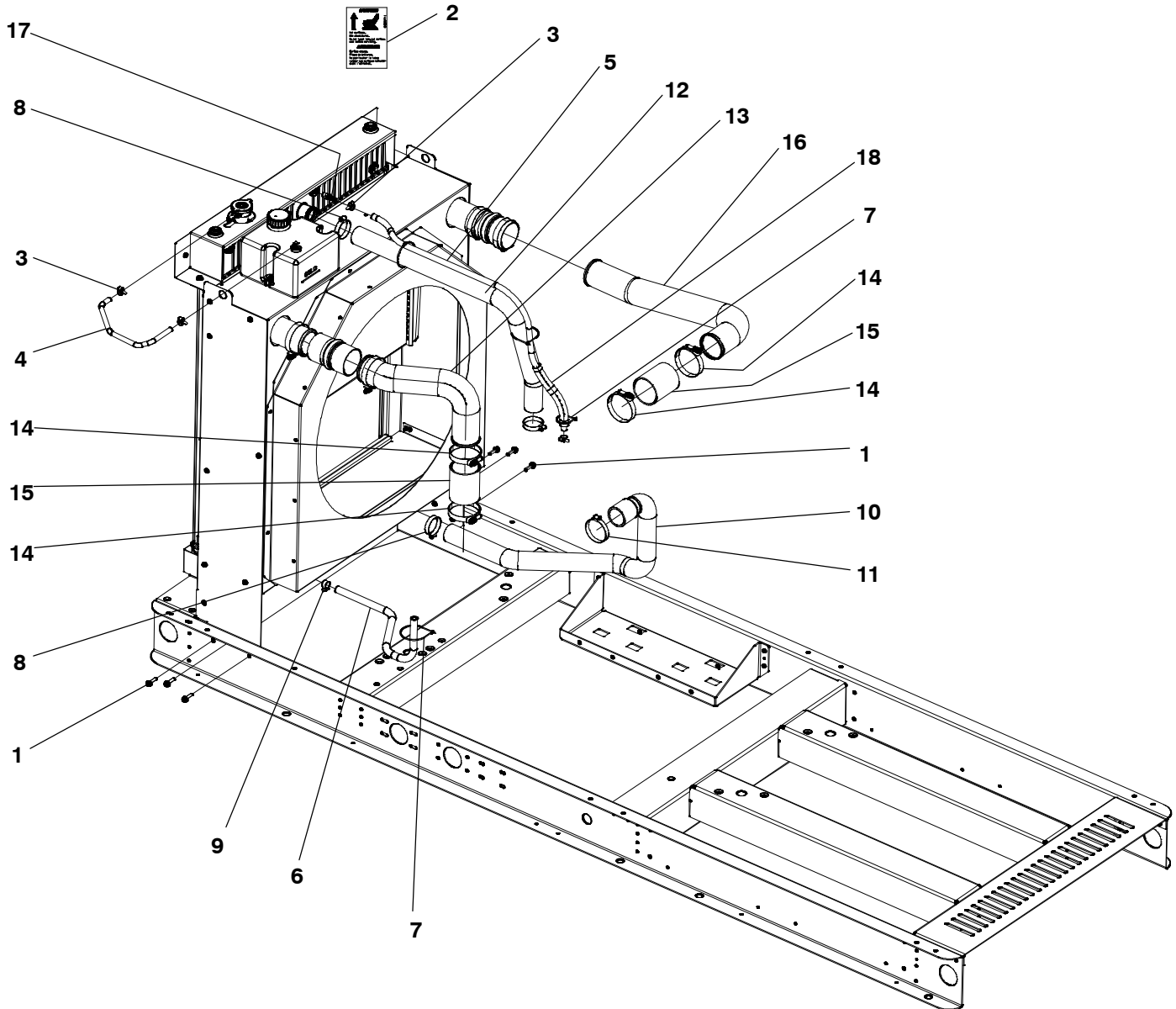
Air Cleaner – Normal Duty



Air Cleaner – Normal Duty

| Item | Part No. | Description | Qty |
|------|--------------|------------------------|-----|
| 1 | A057M138 | Support, Air Filter | 1 |
| 2 | 0526-2140 | Washer, Flat | 2 |
| 3 | 0800-2111 | Screw, Hex Head | 2 |
| 4 | A059R237 | Bracket, Filter | 1 |
| 5 | 0821-2060 | Screw, Hex Flange Head | 2 |
| 6 | A056B687 | Tube, Air Inlet | 1 |
| 7 | A047M180 | Filter, Air | 1 |
| 8 | 0503-1870-08 | Clamp | 5 |
| 9 | A056C107 | Hose, Intake | 1 |
| 10 | A055C981 | Sleeve, Flexible | 1 |

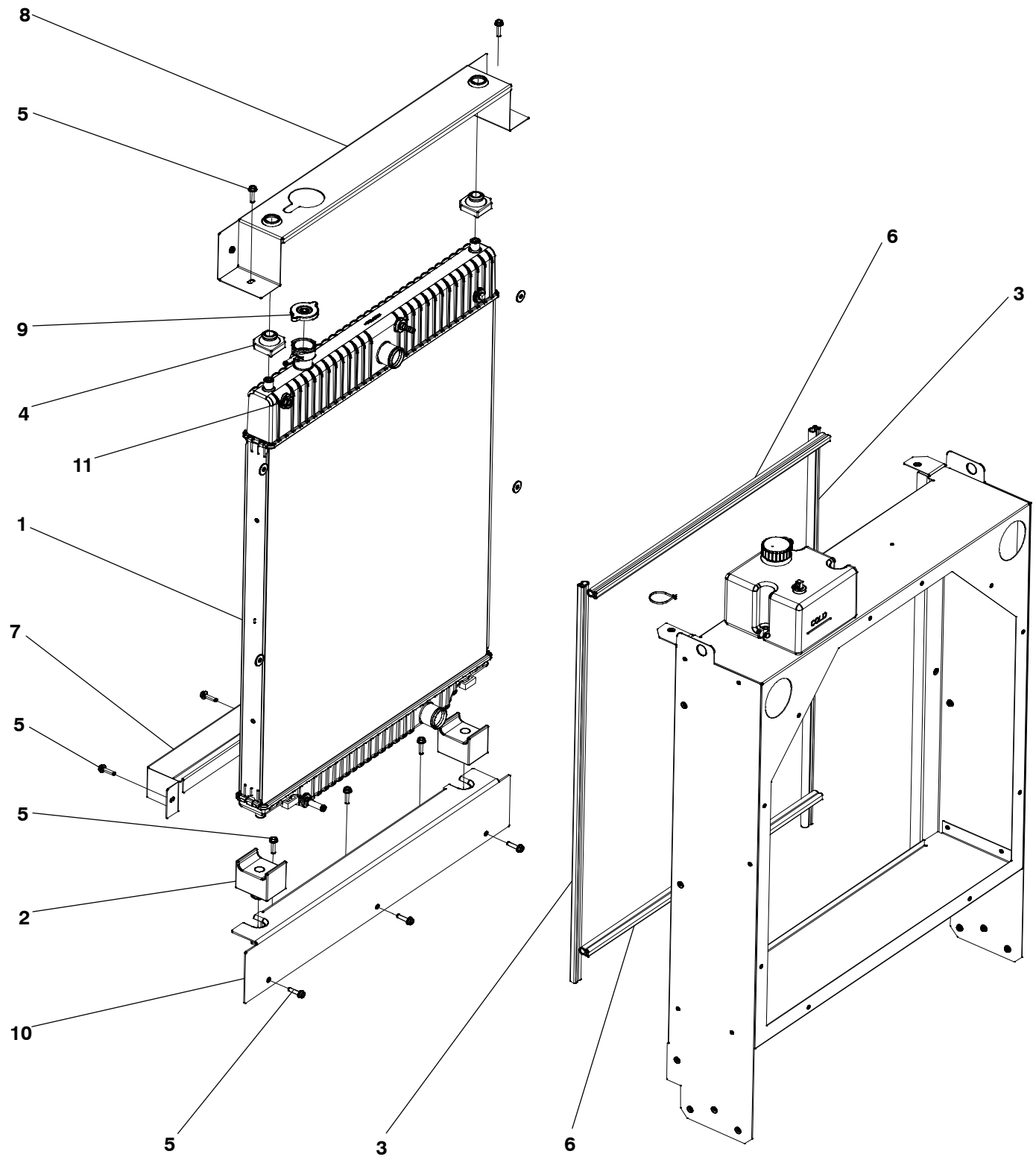
Cooling System High Ambient Air Temperature (Illustration #1)



Cooling System – High Ambient Air Temperature (Illustration #1)

| Item | Part No. | Description | Qty |
|------|--------------|-------------------------|-----|
| 1 | 0815-0781 | Screw, Hollow Head | 21 |
| 2 | A048G949 | Label, Caution | 1 |
| 3 | 0503-0685 | Clamp | 4 |
| 4 | A048V152 | Hose | 1 |
| 5 | A056T351 | Hose, Vent | 1 |
| 6 | A047C587 | Hose, Drain | 1 |
| 7 | 0332-1794 | Tie, Cable | 4 |
| 8 | 0503-1140 | Clamp | 3 |
| 9 | 0503-0446 | Clamp | 1 |
| 10 | A055E323 | Hose, Coolant | 1 |
| 11 | 0503-1142 | Clamp, Hose | 1 |
| 12 | A055P500 | Hose, Coolant | 1 |
| 13 | A059A943 | Tube, Air Inlet | 1 |
| 14 | 0503-1872-05 | Clamp, Hose | 8 |
| 15 | A056L733 | Hose, Turbocharger | 2 |
| 16 | A056K856 | Tube, Air Inlet | 1 |
| 17 | 0502-1162 | Fitting, Hose Connector | 1 |
| 18 | A059M998 | Sleeve, Flexible | 1 |

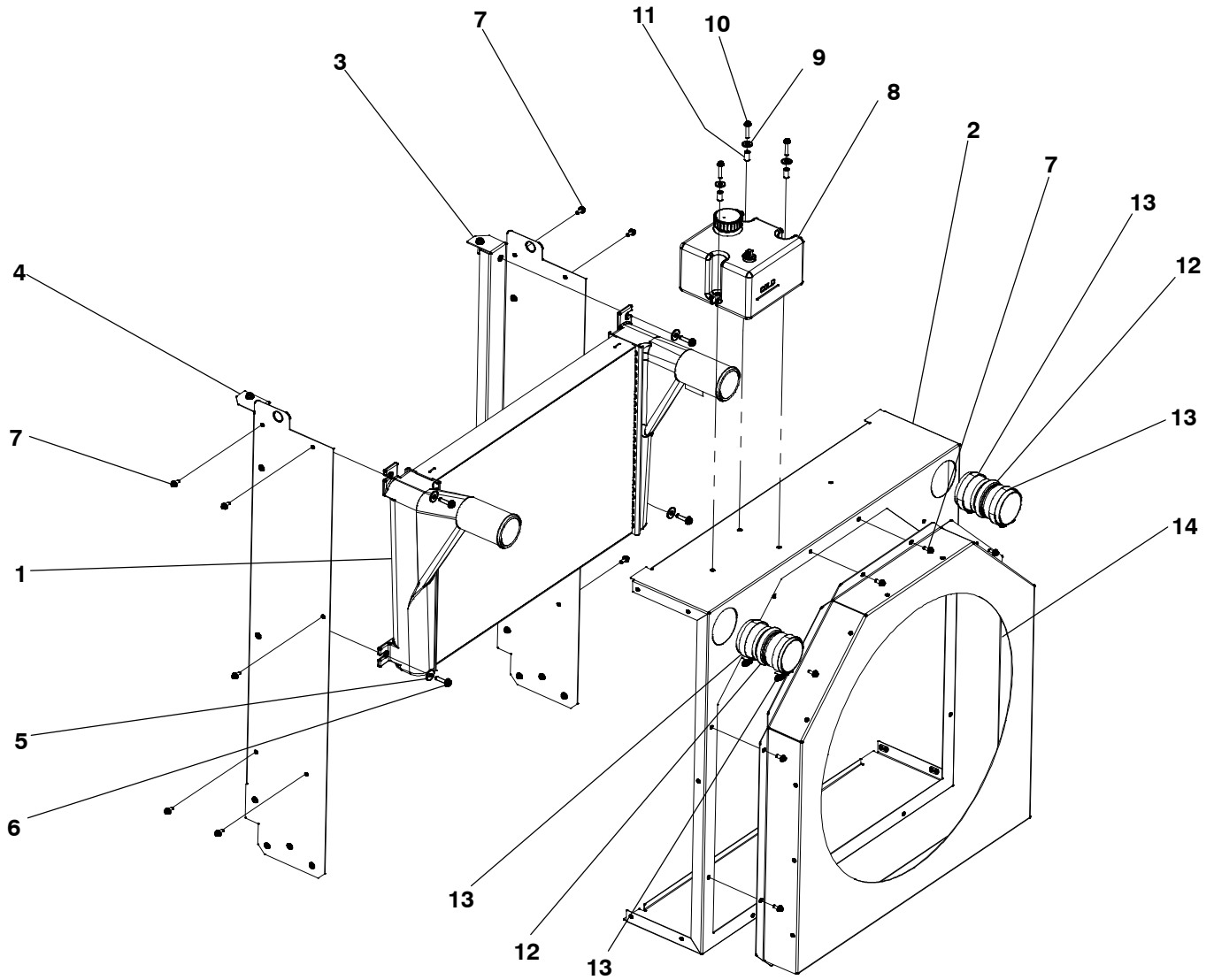
Cooling System – High Ambient Air Temperature (Illustration #2)



Cooling System – High Ambient Air Temperature (Illustration #2)

| Item | Part No. | Description | Qty |
|------|--------------|------------------------|-----|
| 1 | A058F021 | Radiator | 1 |
| 2 | A048F744 | Bushing | 2 |
| 3 | A048V153 | Seal, Edge | 2 |
| 4 | 0508–1197 | Bushing | 2 |
| 5 | 0815–0781 | Screw, Hollow Head | 21 |
| 6 | A048V154 | Seal, Edge | 2 |
| 7 | A053Z032 | Bracket, Radiator | 1 |
| 8 | A048N088 | Bracket, Radiator | 1 |
| 9 | 0130–3721–01 | Cap, Pressure (15 PSI) | 1 |
| 10 | A053X571 | Bracket, Radiator | 1 |
| 11 | A054T548 | Gauge, Sight | 1 |

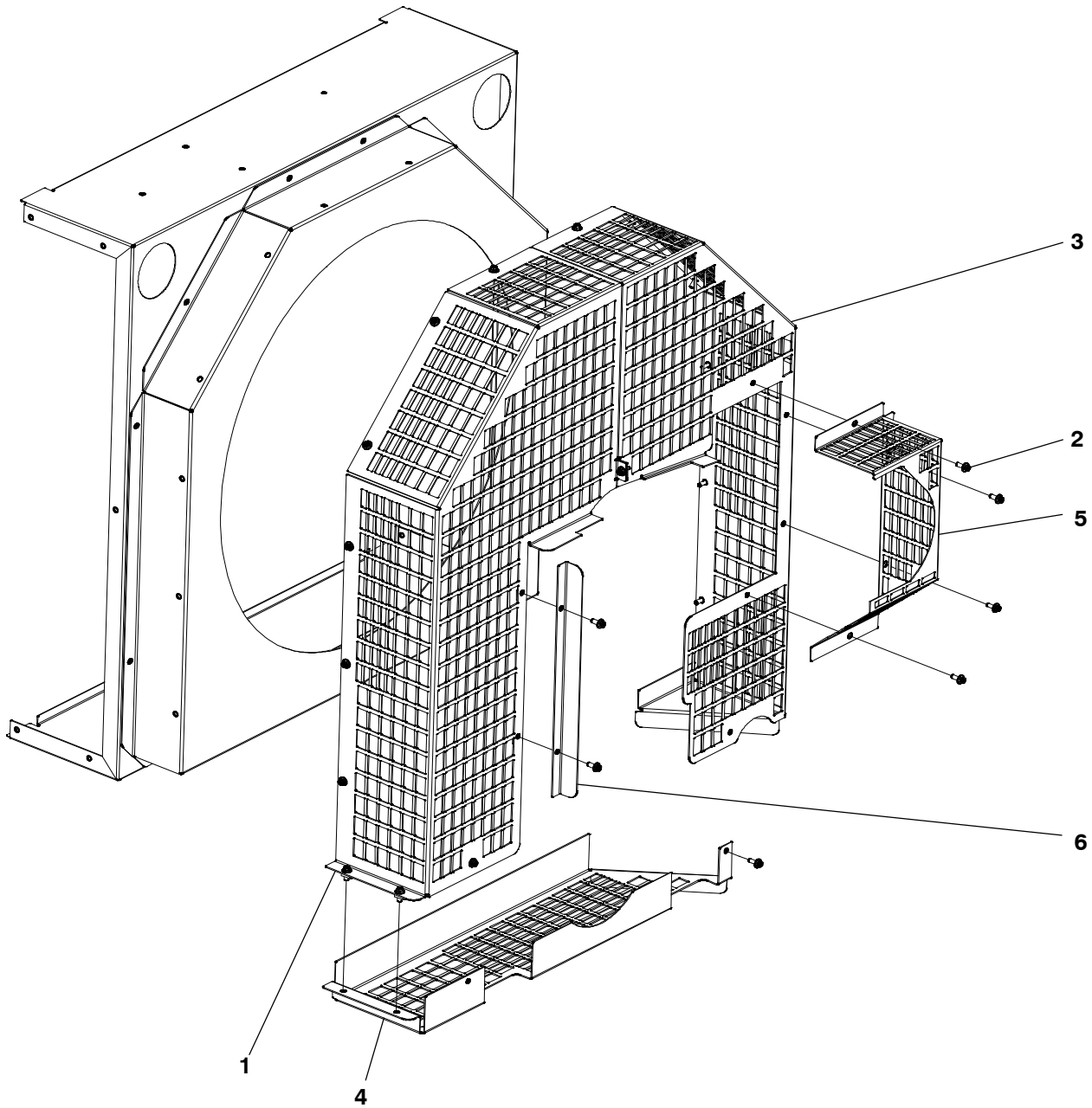
Cooling System – High Ambient Air Temperature (Illustration #3)



Cooling System – High Ambient Air Temperature (Illustration #3)

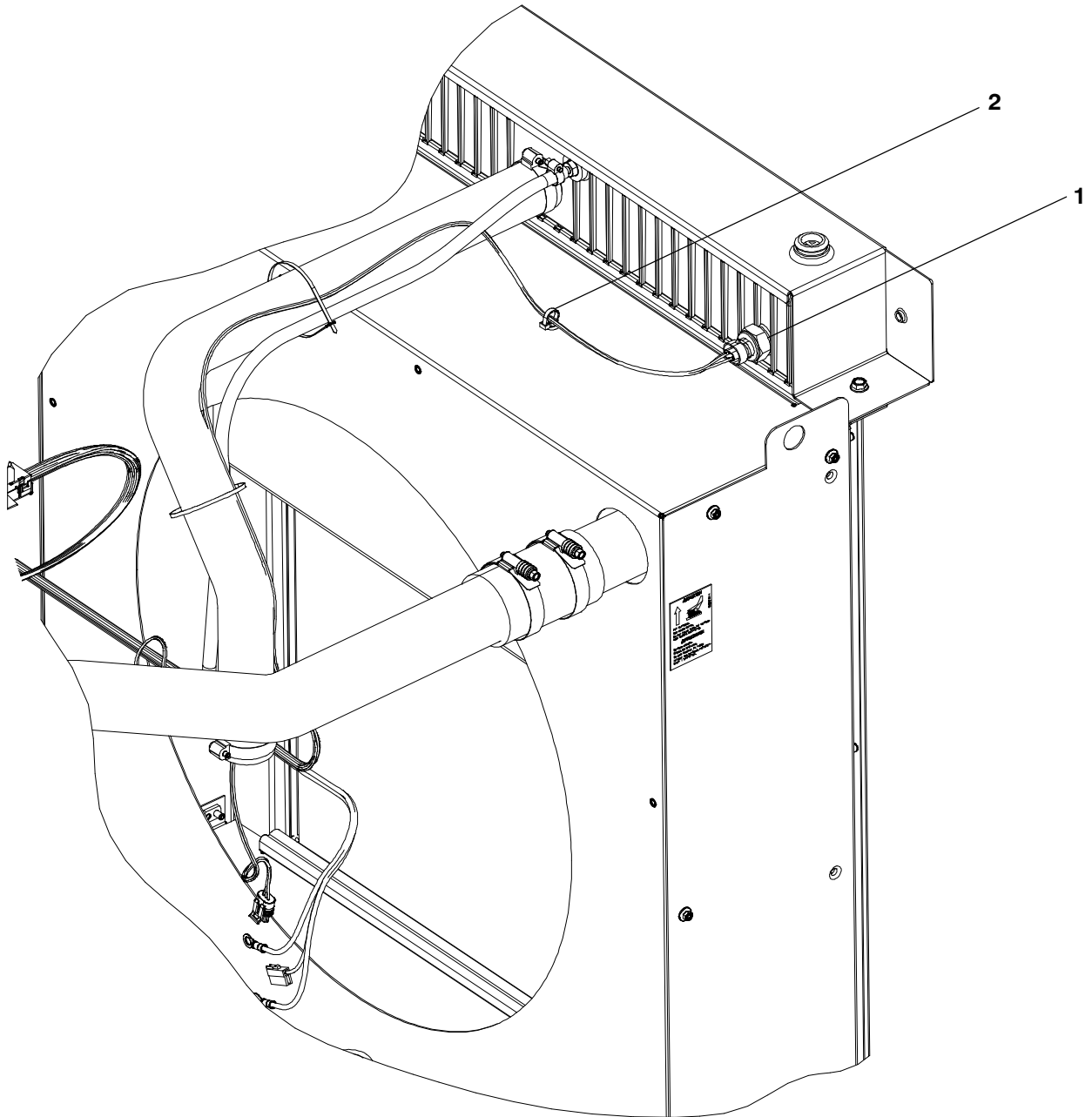
| Item | Part No. | Description | Qty |
|------|--------------|---------------------------|-----|
| 1 | | Cooler, Charge Air | |
| | A054Y527 | C125D6D, C150D6D, C175D6D | 1 |
| | A056H454 | C200D6D | 1 |
| 2 | A055E475 | Shroud, Radiator | 1 |
| 3 | A053Z030 | Support, Post | 1 |
| 4 | A053Z026 | Support, Post | 1 |
| 5 | 0526-0399-61 | Washer, Flat | 4 |
| 6 | 0815-0781 | Screw, Hollow Head | 21 |
| 7 | 0815-0857-02 | Screw, Hex Head | 20 |
| 8 | A050P514 | Tank, Coolant | 1 |
| 9 | 0526-2106 | Washer, Flat | 3 |
| 10 | 0815-0857-06 | Screw, Hex Head | 3 |
| 11 | A051B859 | Spacer | 3 |
| 12 | A056L758 | Hose, Turbocharger | 2 |
| 13 | 0503-1872-05 | Clamp, Hose | 8 |
| 14 | A055W810 | Shroud, Fan | 1 |

Radiator Guard



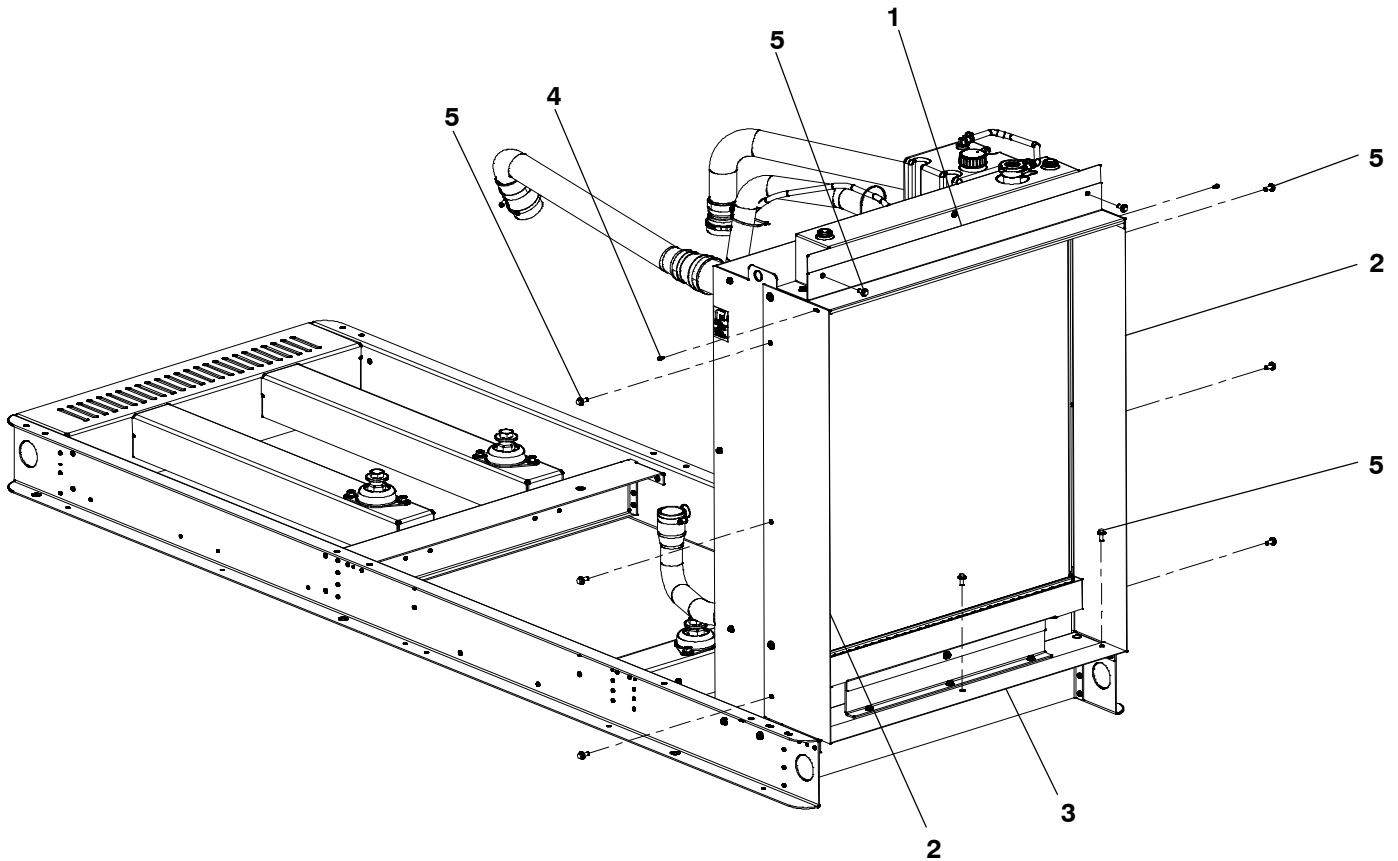
| Item | Part No. | Description | Qty |
|------|--------------|-----------------|-----|
| 1 | A055R849 | Guard, Fan | 1 |
| 2 | 0815-0857-02 | Screw, Hex Head | 23 |
| 3 | A055P667 | Guard, Fan | 1 |
| 4 | A055T967 | Guard, Fan | 1 |
| 5 | A055V762 | Guard, Fan | 1 |
| 6 | A055R855 | Guard, Fan | 1 |

Low Coolant Sender



| Item | Part No. | Description | Qty |
|------|----------|---------------------|-----|
| 1 | A055G562 | Sender, Low Coolant | 1 |
| 2 | A044D694 | Tie, Cable | 1 |

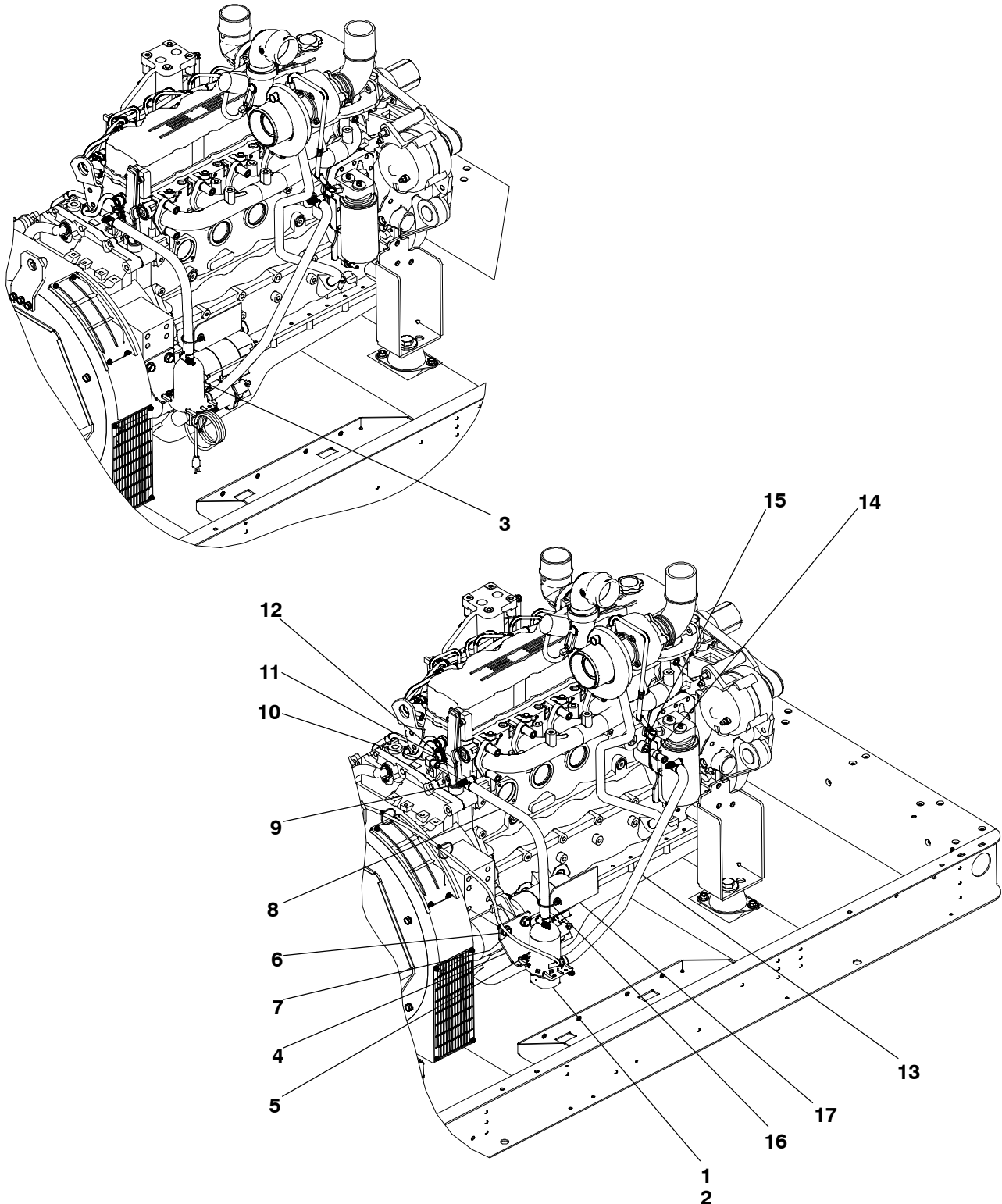
Duct Adapter



| Item | Part No. | Description | Qty |
|------|--------------|------------------------|-----|
| 1 | A050A053 | Adapter, Duct | 1 |
| 2 | A054M271 | Adapter, Duct | 2 |
| 3 | A050A057 | Adapter, Duct | 1 |
| 4 | A050H838 | Screw, Thread Forming | 2 |
| 5 | 0815-0709-01 | Screw, Hex Flange Head | 11 |

This page is Intentionally blank.

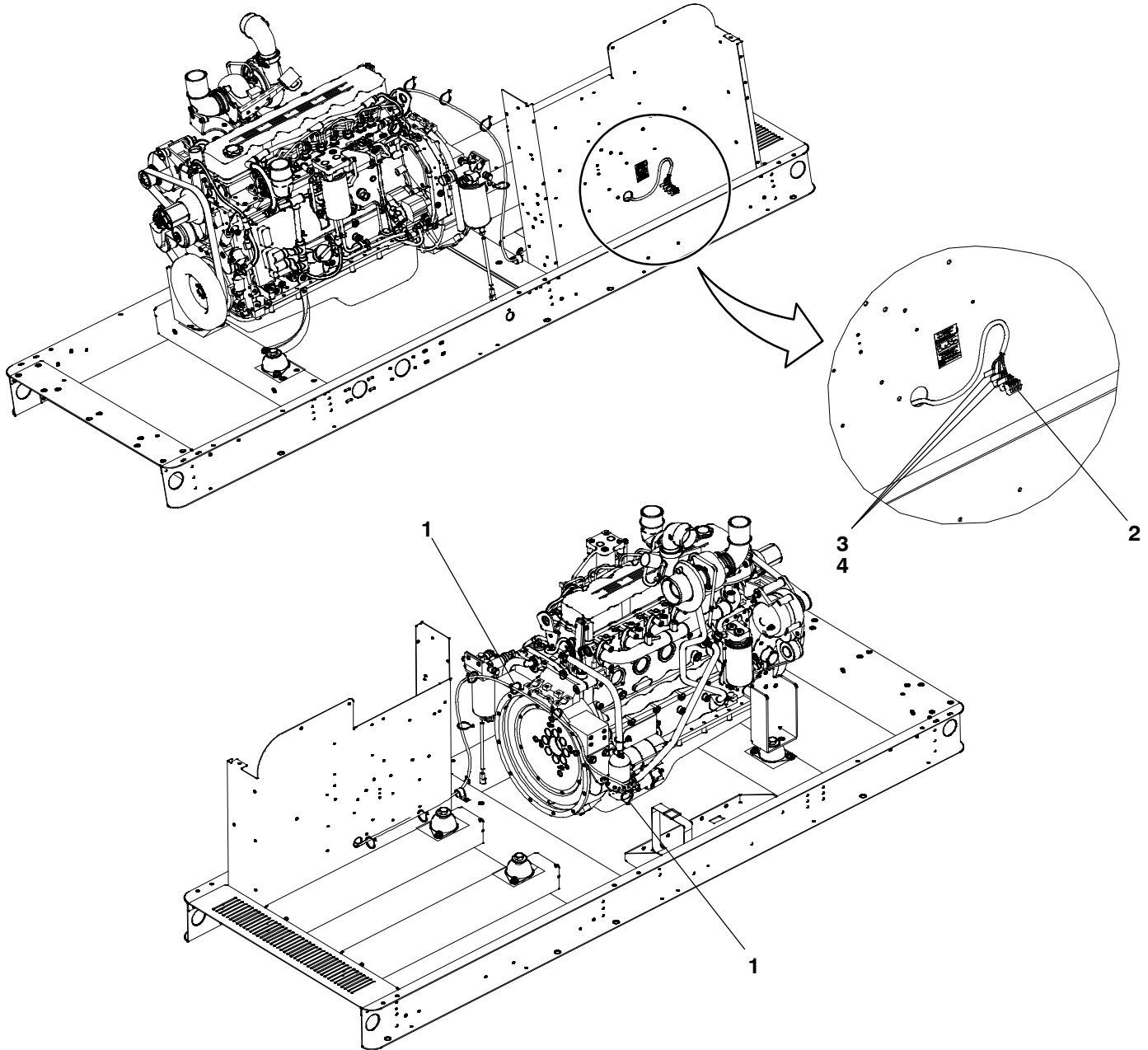
Coolant Heater (Illustration #1)



Coolant Heater (Illustration #1)

| Item | Part No. | Description | Qty |
|------|--------------|---|-----|
| 1 | A050M046 | Heater, Coolant – 1500W (80°–100°F, 120V, UL Flying Leads) | 1 |
| 2 | A054G400 | Heater, Coolant – 1500/2000W (80°–100°F, 208/240V, UL Flying Leads) | 1 |
| 3 | A055R910 | Heater, Coolant – 1500/2000W (80°–100°F, 208/240V, CSA/UL Plug) | 1 |
| 4 | 0333–0736–02 | Bracket, Heater | 1 |
| 5 | 0821–6002–03 | Screw, Hex Head | 2 |
| 6 | 0526–0219 | Washer, Flat | 2 |
| 7 | 0800–2111 | Screw, Hex Head | 2 |
| 8 | 0503–2791–03 | Hose, Coolant | 1 |
| 9 | 0503–2157–01 | Clamp, Hose | 4 |
| 10 | 0502–0942 | Elbow, 90° Hose | 1 |
| 11 | 0505–0019 | Bushing, Reducer | 1 |
| 12 | 0505–0021 | Bushing, Reducer | 1 |
| 13 | 0503–2791–04 | Hose, Coolant | 1 |
| 14 | 0502–0943 | Fitting, Hose Connector | 1 |
| 15 | 0505–0131 | Bushing, Reducer | 1 |
| 16 | 0332–1794 | Tie, Cable | 8 |
| 17 | 0098–6030 | Tag, Caution | 1 |

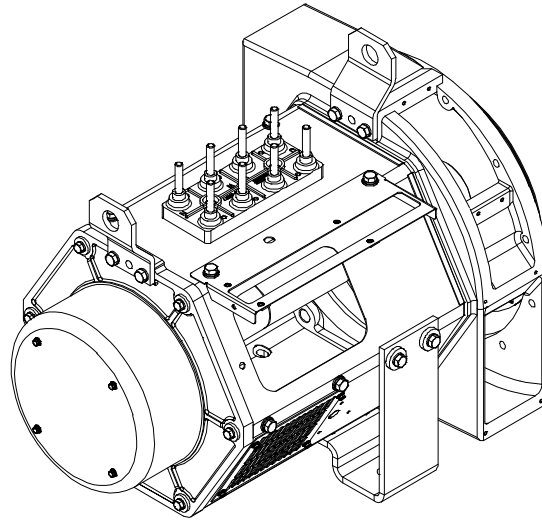
Coolant Heater (Illustration #2)



| Item | Part No. | Description | Qty |
|------|-----------|---|-----|
| 1 | 0332-1794 | Tie, Cable | 8 |
| 2 | A046D267 | Connector, Terminal Block (UL Flying Leads) | 3 |
| 3 | A046G477 | Label, Marker (120V, UL Flying Leads) | 1 |
| 4 | A056N886 | Label, Marker (208/240V, UL Flying Leads) | 1 |

This page is Intentionally blank.

**Alternator
 Complete**



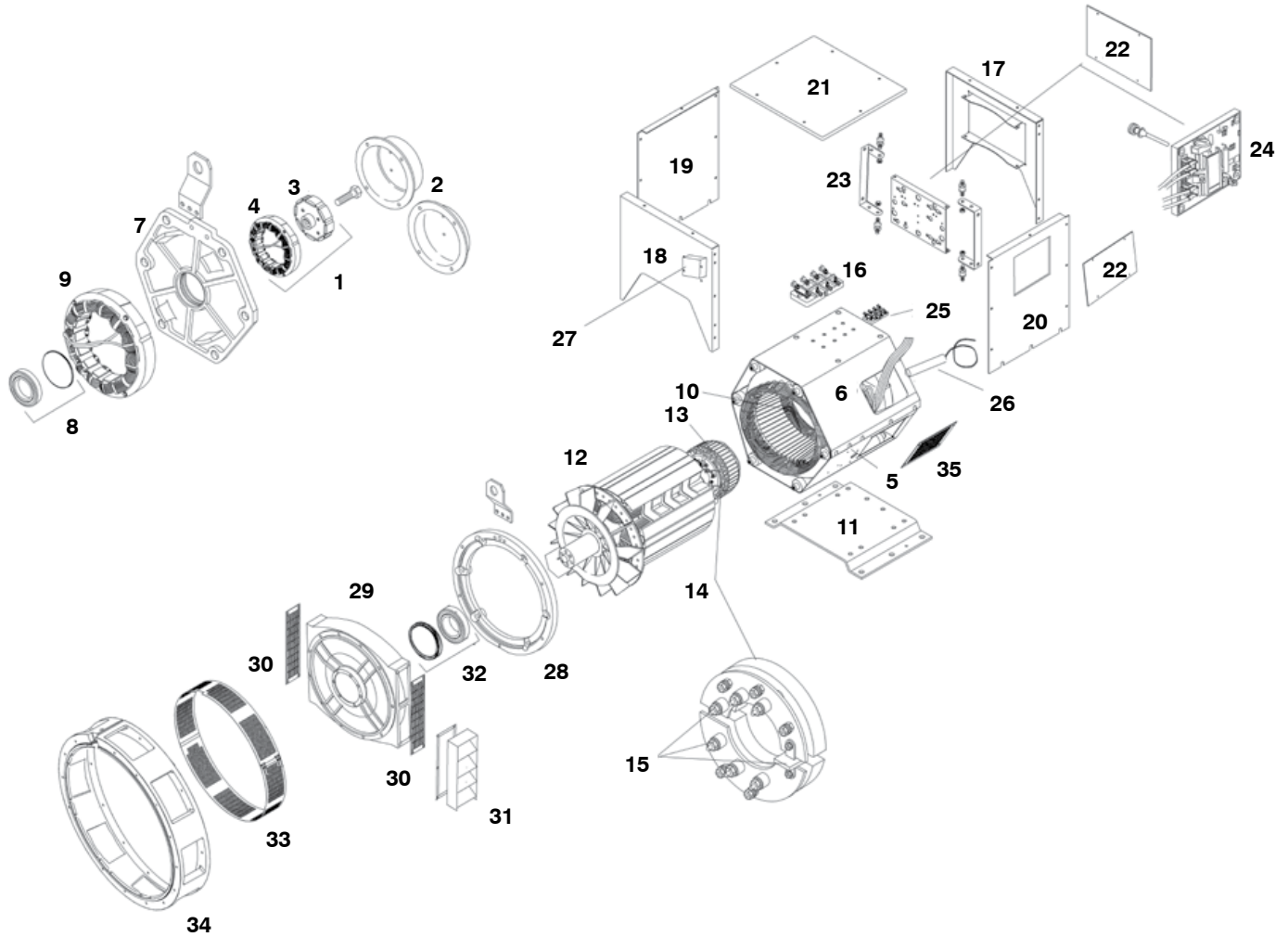
| Item | Part No. | Description | Qty |
|------|----------|---|-----|
| | | Alternator – 60Hz, 12L, 480/277V, 120C, 40C Ambient | |
| | A053Y710 | UC274E – C125D6D | |
| | A053Y715 | UC274F – C150D6D | |
| | A053Y711 | UC274G – C175D6D | |
| | A053Y712 | UC274H – C200D6D | |
| | | Alternator – 60Hz, 12L, 208/120V, 120C, 40C Ambient | |
| | A053Y710 | UC274E – C125D6D | |
| | A053Y711 | UC274G – C150D6D | |
| | A053Y712 | UC274H – C175D6D | |
| | A056B701 | UCD274K – C200D6D | |
| | | Alternator – 60Hz, 6L, 600/347V, 120C, 40C Ambient | |
| | A053Y709 | UC274F – C125D6D, C150D6D | |
| | A056B699 | UCD274J – C175D6D, C200D6D | |
| | | Alternator – 60Hz, 12L, 220/127V, 105C, 40C Ambient, IMS | |
| | A053Y715 | UC274F – C125D6D | |
| | A053Y711 | UC274G – C150D6D | |
| | A053Y712 | UC274H – C175D6D | |
| | A053Y713 | UCD274J – C200D6D | |

Alternator – Complete (Continued)

| Item | Part No. | Description | Qty |
|------|----------|--|-----|
| | | Alternator – 60Hz, 12L, 220/127V, 120C, 40C Ambient | |
| | A053Y710 | UC274E – C125D6D | |
| | A053Y711 | UC274G – C150D6D | |
| | A053Y712 | UC274H – C175D6D | |
| | A053Y713 | UCD274J – C200D6D | |
| | | Alternator – 60Hz, Reconnect, Full Output, 105C, 40C Ambient, IMS | |
| | A053Y712 | UC274H – C125D6D | |
| | A053Y713 | UCD274J – C175D6D | |
| | | Alternator – 60Hz, Reconnect, Full Output, 120C, 40C Ambient, IMS | |
| | A053Y712 | UC274H – C125D6D | |
| | A053Y713 | UCD274J – C150D6D | |
| | A056B701 | UCD274K – C175D6D | |
| | | Alternator – 60Hz, 8L, 120V, 1Ph, 120C, 40C Ambient | |
| | A058G125 | UCD274K – C200D6D | |
| | | Alternator – 60Hz, 12L, 600/347V, 105C, 40C Ambient, IMS | |
| | A053Y709 | UC274F – C125D6D, C150D6D | |
| | A056B699 | UCD274J – C175D6D, C200D6D | |
| | | Alternator – 60Hz, 12L, 240/120V, 105C, 40C Ambient, IMS | |
| | A053Y715 | UC274F – C125D6D | |
| | A053Y711 | UC274G – C150D6D | |
| | A053Y712 | UC274H – C175D6D | |
| | A056B701 | UCD274K – C200D6D | |
| | | Alternator – 60Hz, 12L, 240/120V, 105C, 40C Ambient, IMS, Delta | |
| | A053Y715 | UC274F – C125D6D | |
| | A053Y711 | UC274G – C150D6D | |
| | A053Y712 | UC274H – C175D6D | |
| | A053Y713 | UCD274J – C200D6D | |
| | | Alternator – 60Hz, 12L, 240/120V, 120C, 40C Ambient, Delta | |
| | A053Y710 | UC274E – C125D6D | |
| | A053Y711 | UC274G – C150D6D | |
| | A053Y712 | UC274H – C175D6D | |
| | A053Y713 | UCD274J – C200D6D | |
| | | Alternator – 60Hz, 12L, 480/277V, 105C, 40C Ambient, IMS | |
| | A053Y710 | UC274E – C125D6D | |
| | A053Y715 | UC274F – C150D6D | |
| | A053Y712 | UC274H – C175D6D | |
| | A053Y713 | UCD274J – C200D6D | |

Generator

UC274 – 1 Bearing, 4 Pole



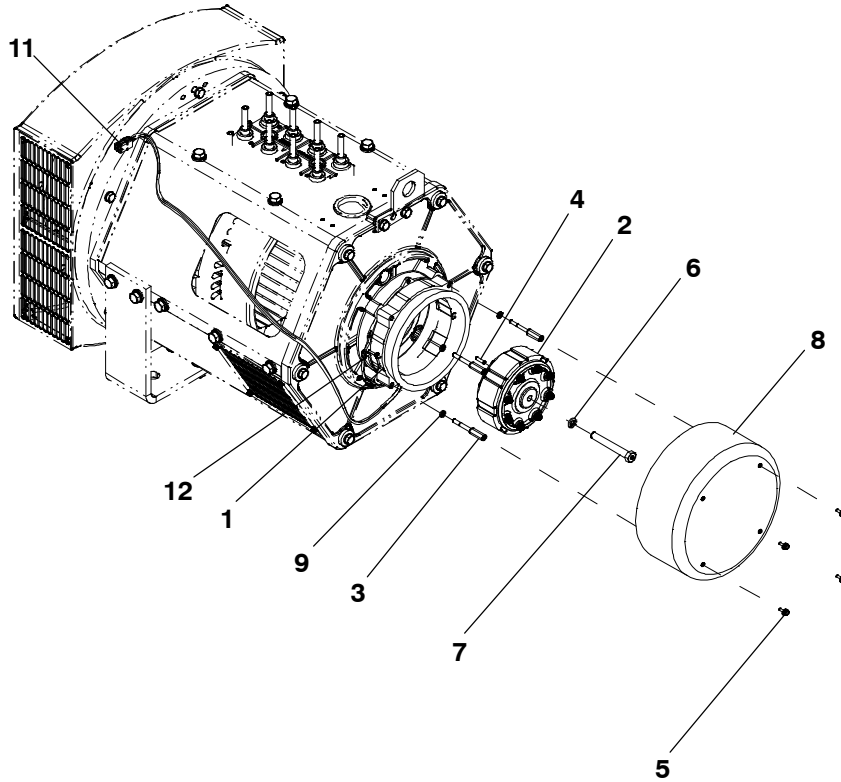
Generator – UC274 – 1 Bearing, 4 Pole

| Item | Part No. | Description | Qty |
|------|-----------|---|-----|
| 1 | 45-0075A | Complete P.M.G. Upfit Kit | 1 |
| 2 | | Cover | |
| | 450-14360 | P.M.G. Cover (Cover included in Item 1) | 1 |
| | 450-14450 | Non P.M.G Cover | 1 |
| 3 | 45-1080 | Current P.M.G. Rotor/Stator Repair Kit | 1 |
| 4 | 45-1080 | Current P.M.G. Rotor/Stator Repair Kit | 1 |
| 5 | | Main Stator Bottom Cover | |
| | 330-10386 | C-D | 1 |
| | 330-10387 | E-F | 1 |
| | 330-10388 | G | 1 |
| | 330-10389 | H | 1 |
| 6 | | Main Stator Top Cover | |
| | 330-10381 | C-D | 1 |
| | 330-10382 | E-F | 1 |
| | 330-10383 | G | 1 |
| | 330-10384 | H | 1 |
| 7 | 330-1002 | N.D.E. Bracket | 1 |
| 8 | 45-0868 | N.D.E. Bearing Kit | 1 |
| 9 | | Exciter Stator | |
| | 230-1497 | C-D (40mm) | 1 |
| | 330-1280 | E-H (60mm) | 1 |
| 10 | * | Main Stator Bar Assy | 1 |
| 11 | 330-10137 | Foot | 1 |
| 12 | * | Main Rotor Assy | 1 |
| 13 | | Exciter Rotor | |
| | 210-1037 | C-D (40mm) | 1 |
| | 310-1028 | E-H (60mm) | 1 |
| 14 | 45-0428 | Rotating Rectifier Assy | 1 |
| 15 | RSK-2001 | Diode Fwd/Rev & Varistor Kit | 1 |
| 16 | 450-15617 | Main Terminal Board | 1 |
| 17 | | Terminal Box Endpanel N.D.E. | |
| | 330-10602 | Access | 1 |
| | 330-10622 | Plain | 1 |
| 18 | 330-10601 | Terminal Box Endpanel D.E. | 1 |
| 19 | 330-10604 | Terminal Box Side Panel | 1 |
| 20 | 330-10609 | Terminal Box Side Panel | 1 |
| | 330-10617 | Terminal Box Side Panel (Access) | 1 |
| 21 | 330-10069 | Terminal Box Lid | 1 |
| 22 | | A.V.R. Cover Plate | |
| | 450-14310 | To (28/11/04) | 1 |
| | 410-10536 | From (28/11/04) | 1 |
| | | Continued... | |

Generator – UC274 – 1 Bearing, 4 Pole

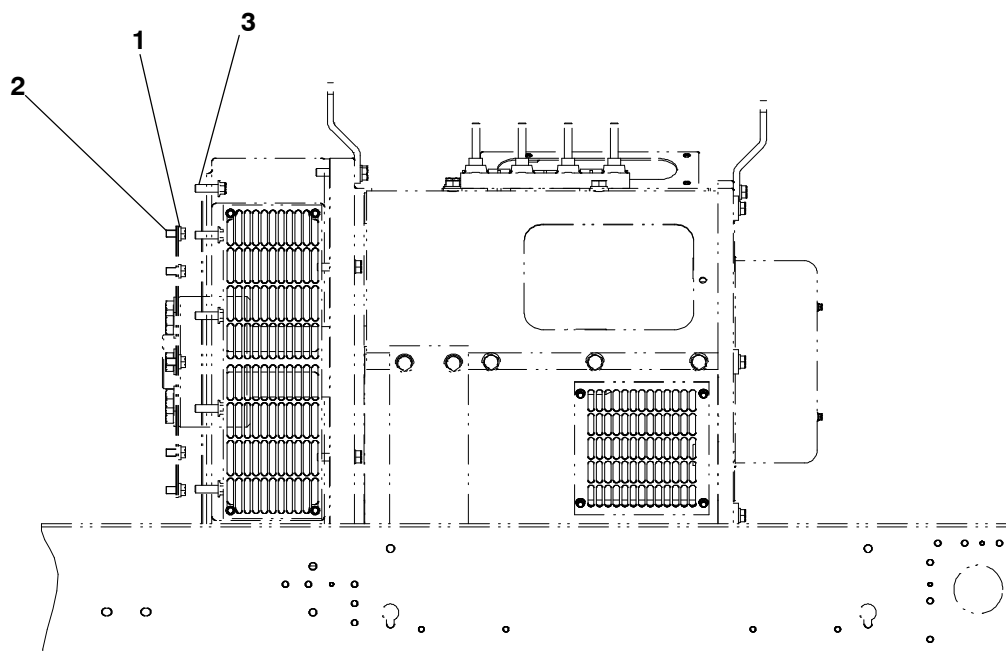
| Item | Part No. | Description | Qty |
|------|---------------|---|-----|
| | | Continued... | |
| 23 | 45-0742 | A.V.R. Mounting Bracket | 1 |
| 24 | | A.V.R. | |
| | E000-23412/1P | MX341 (Series 3) | 1 |
| | E000-23212/1P | MX321 (Series 3) | 1 |
| | E000-24403/1P | AS440 (Series 4) | 1 |
| | E000-24602/1P | SX460 (Series 6) | 1 |
| 25 | 003-14027 | Auxiliary Terminal Board | 1 |
| 26 | | Heater | |
| | 45-0118 | 110-125 Volt | 1 |
| | 45-0117 | 220-260 Volt | 1 |
| 27 | 45-0024 | Terminal Box For Heaters | 1 |
| 28 | 330-10001 | D.E. Adaptor Ring | 1 |
| 29 | 330-10076 | D.E. Bracket | 1 |
| 30 | 330-10049 | D.E. Screen | 1 |
| 31 | 45-0634 | D.E. Louvre | 1 |
| 32 | 45-0367 | D.E. Bearing Kit | 1 |
| 33 | | Adapter Kit | |
| | 45-0522 | SAE 1 | 1 |
| | 45-0523 | SAE 2 | 1 |
| | 45-0524 | SAE 3 | 1 |
| | 45-0863 | DIN 1 | 1 |
| | 45-0912 | DIN 2 | 1 |
| 34 | | Adapter Cover (Included in Adapter Kit) | 1 |
| 35 | 330-10020 | Air Inlet Cover | 1 |
| | | | |
| | | * This part number depends on your machine serial number. Contact your reginal CPG technical support team. | |

PMG



| Item | Part No. | Description | Qty |
|------|--------------|-----------------------------------|-----|
| | A052U030 | Stator, Permanent Magnet (Kit) | 1 |
| 1 | A046A708 | Stator, Permanent Magnet | 1 |
| 2 | A029M562 | Rotor, Permanent Magnet Generator | 1 |
| 3 | 0232-3462-02 | Spacer | 4 |
| 4 | 0775-0049 | Pin, Parallel | 1 |
| 5 | 0821-6001-02 | Screw, Hex Head | 4 |
| 6 | 0850-2010 | Washer, Lock | 1 |
| 7 | 0815-0761-01 | Bolt | 1 |
| 8 | A049E982 | Cover, Endbell | 1 |
| 9 | 0850-2006 | Washer, Lock | 4 |
| 10 | A044D694 | Tie, Cable (Not Shown) | 2 |
| 11 | A042N319 | Housing, Receptacle | 1 |
| 12 | 0332-1794 | Tie, Cable | 1 |

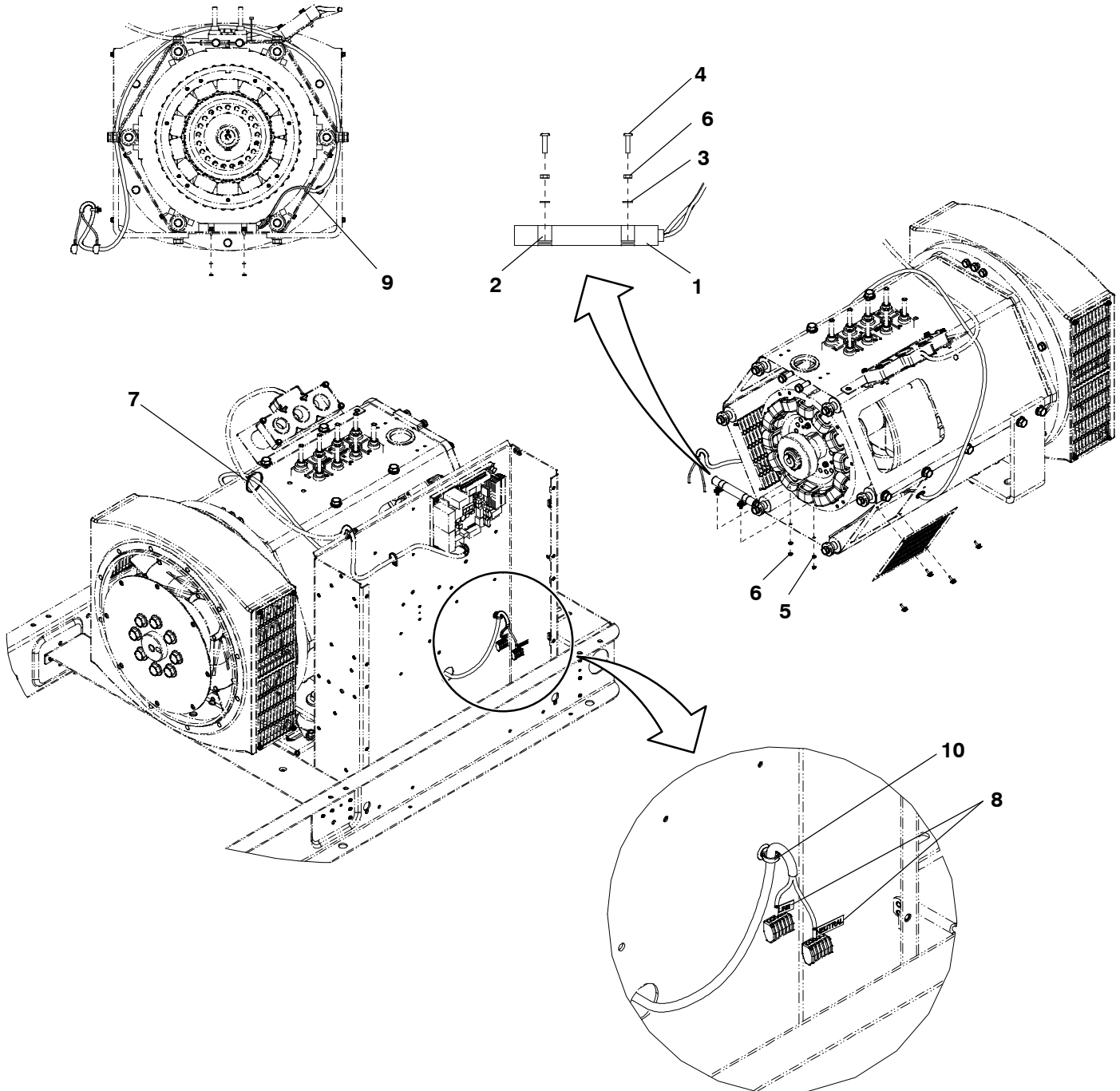
Generator Fasteners



| Item | Part No. | Description | Qty |
|------|-----------|------------------------|-----|
| 1 | A046A715 | Washer, Flat | 8 |
| 2 | 0805-0015 | Bolt, Place | 8 |
| 3 | A044B045 | Screw, Hex Flange Head | 12 |

This page is Intentionally blank.

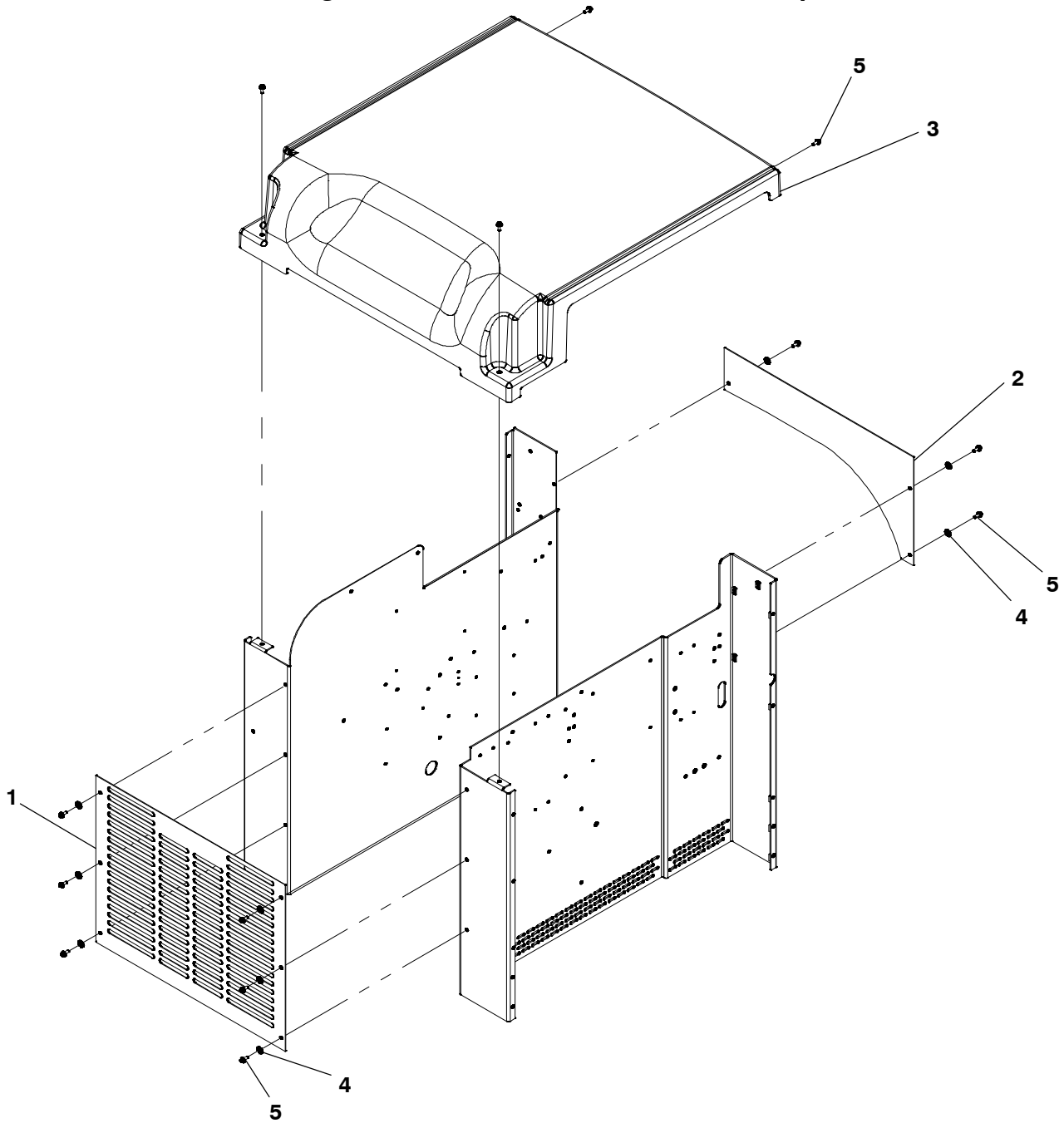
Alternator Heater



Alternator Heater

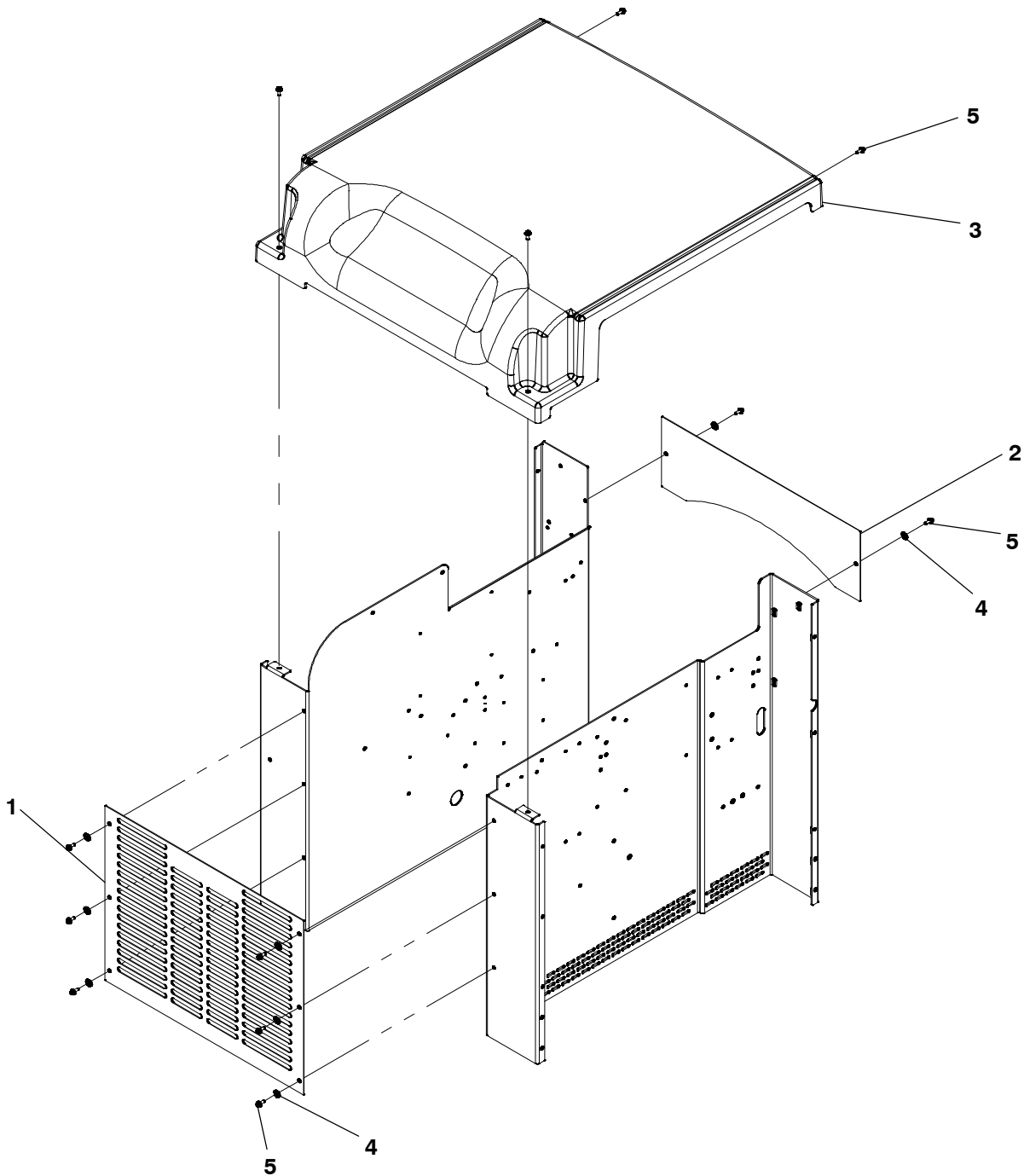
| Item | Part No. | Description | Qty |
|------|--------------|-------------------|-----|
| 1 | A049V689 | Heater, Cartridge | 1 |
| 2 | 0332-3024-11 | Clamp, Loop | 2 |
| 3 | 0526-2050 | Washer, Flat | 2 |
| 4 | 0822-3075 | Screw, Pan Head | 2 |
| 5 | 0850-2004 | Washer, Lock | 2 |
| 6 | 0860-2005 | Nut, Hex | 4 |
| 7 | 0332-1794 | Tie, Cable | 1 |
| 8 | A046G477 | Label, Marking | 1 |
| 9 | A057E821 | Grommet | 1 |
| 10 | A044D694 | Tie, Cable | 1 |

Connection Box – Left Facing Control – 60Hz, Reconnect, Full Output



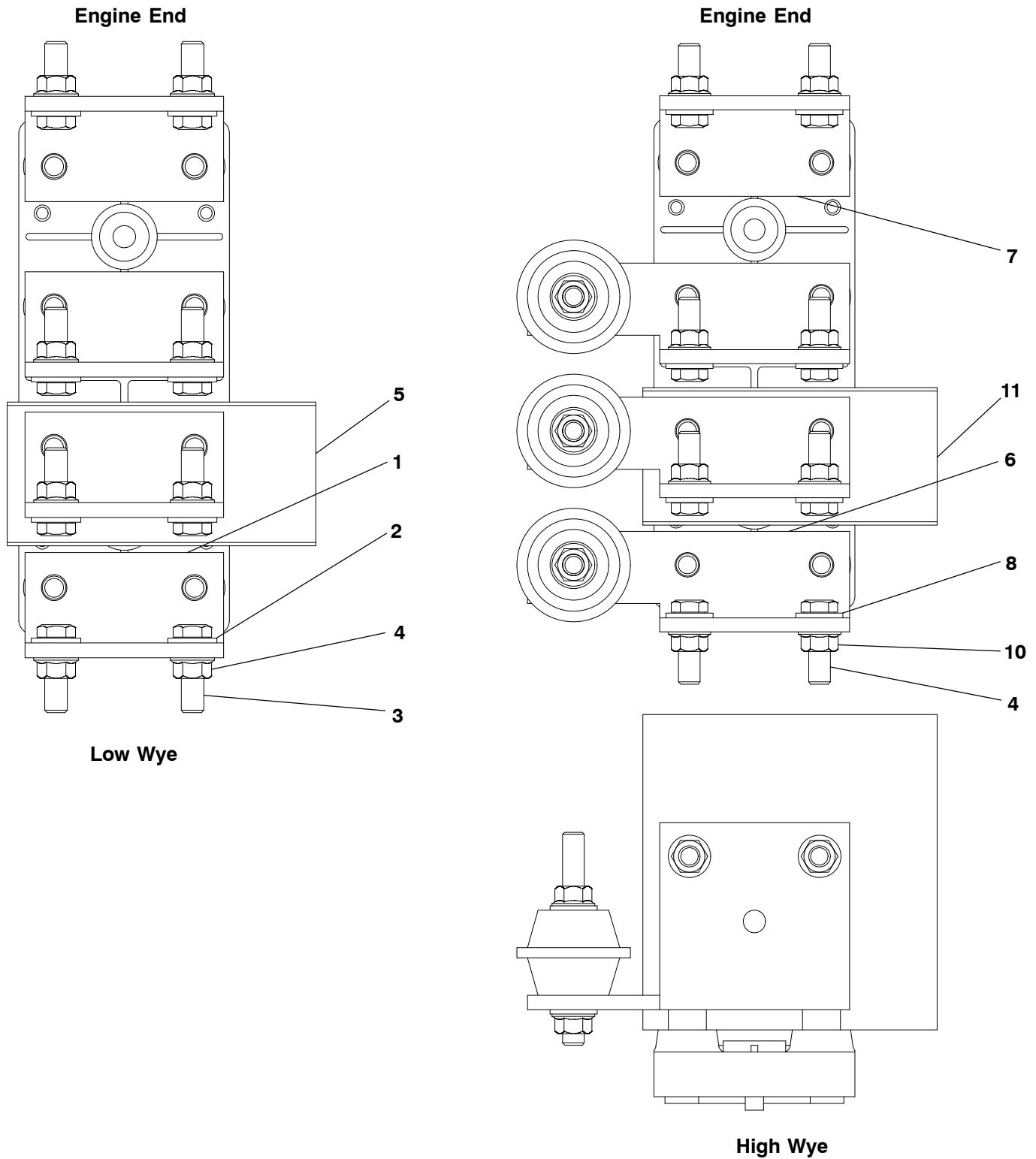
| Item | Part No. | Description | Qty |
|------|--------------|---------------------------|-----|
| 1 | A054N415 | Guard, Alternator | 1 |
| 2 | A055J635 | Panel, Guard | 1 |
| 3 | A055S320 | Cover, Terminal Enclosure | 1 |
| 4 | 0856-0006 | Washer, Lock | 9 |
| 5 | 0815-0857-02 | Screw, Hex Head | 13 |

Connection Box – Left Facing Control



| Item | Part No. | Description | Qty |
|------|--------------|---------------------------|-----|
| 1 | A054N415 | Guard, Alternator | 1 |
| 2 | A055J637 | Panel, Guard | 1 |
| 3 | A055S320 | Cover, Terminal Enclosure | 1 |
| 4 | 0856-0006 | Washer, Lock | 8 |
| 5 | 0815-0857-02 | Screw, Hex Head | 12 |

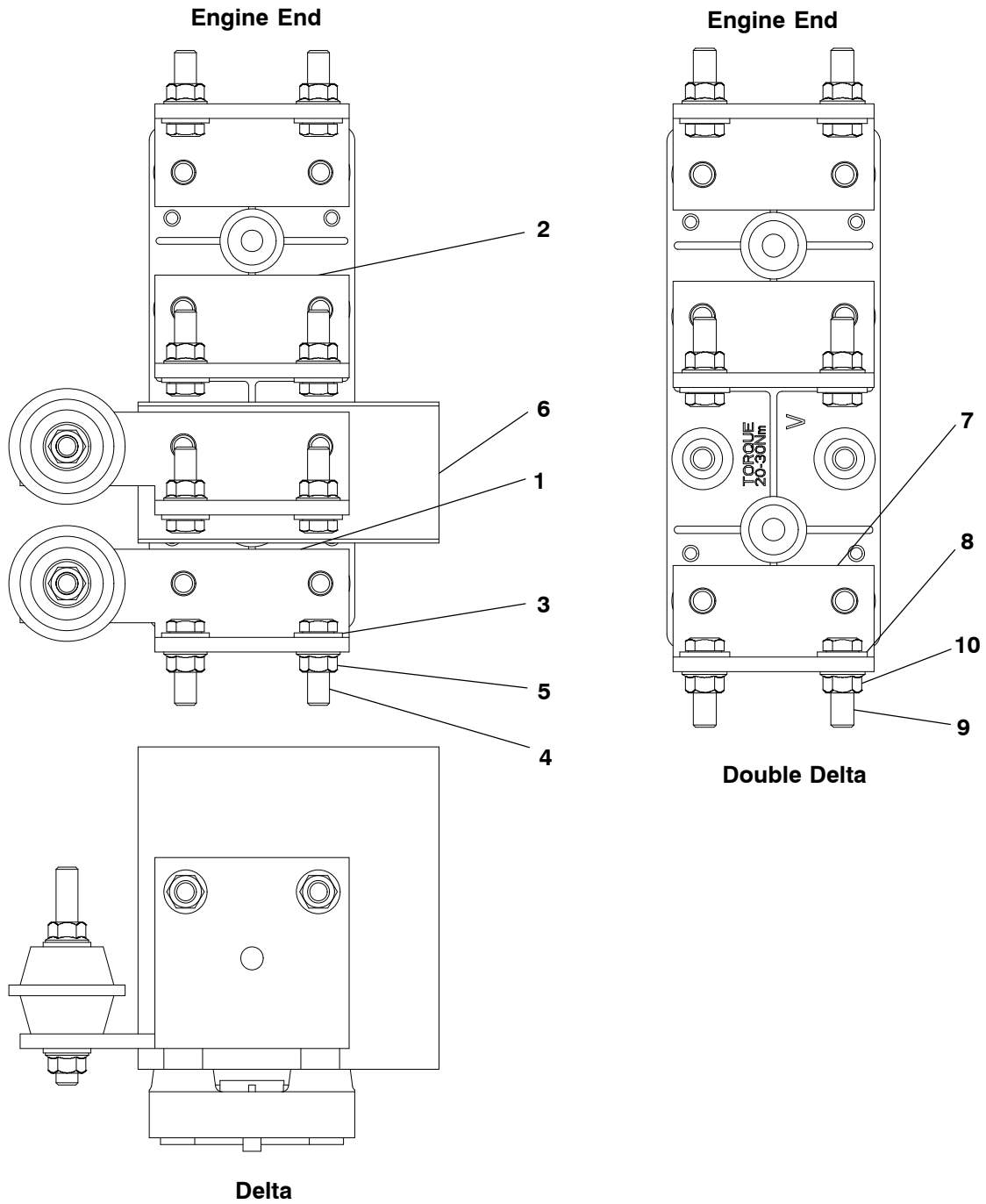
Busbar – Low, High Wye



Busbar – Low, High Wye

| Item | Part No. | Description | Qty |
|------|--------------|-----------------|-----|
| 1 | A054T035 | Busbar, Copper | 4 |
| 2 | 0526-0399-19 | Washer, Flat | 8 |
| 3 | 0800-0051 | Screw, Hex Head | 8 |
| 4 | 0870-0550-09 | Nut, Hex Flange | 8 |
| 5 | A054W590 | Barrier, Phase | 1 |
| 6 | A054T037 | Busbar, Copper | 3 |
| 7 | A054T035 | Busbar, Copper | 1 |
| 8 | 0526-0399-19 | Washer, Flat | 14 |
| 9 | 0800-0051 | Screw, Hex Head | 8 |
| 10 | 0870-0550-09 | Nut, Hex Flange | 14 |
| 11 | A054W590 | Barrier, Phase | 1 |

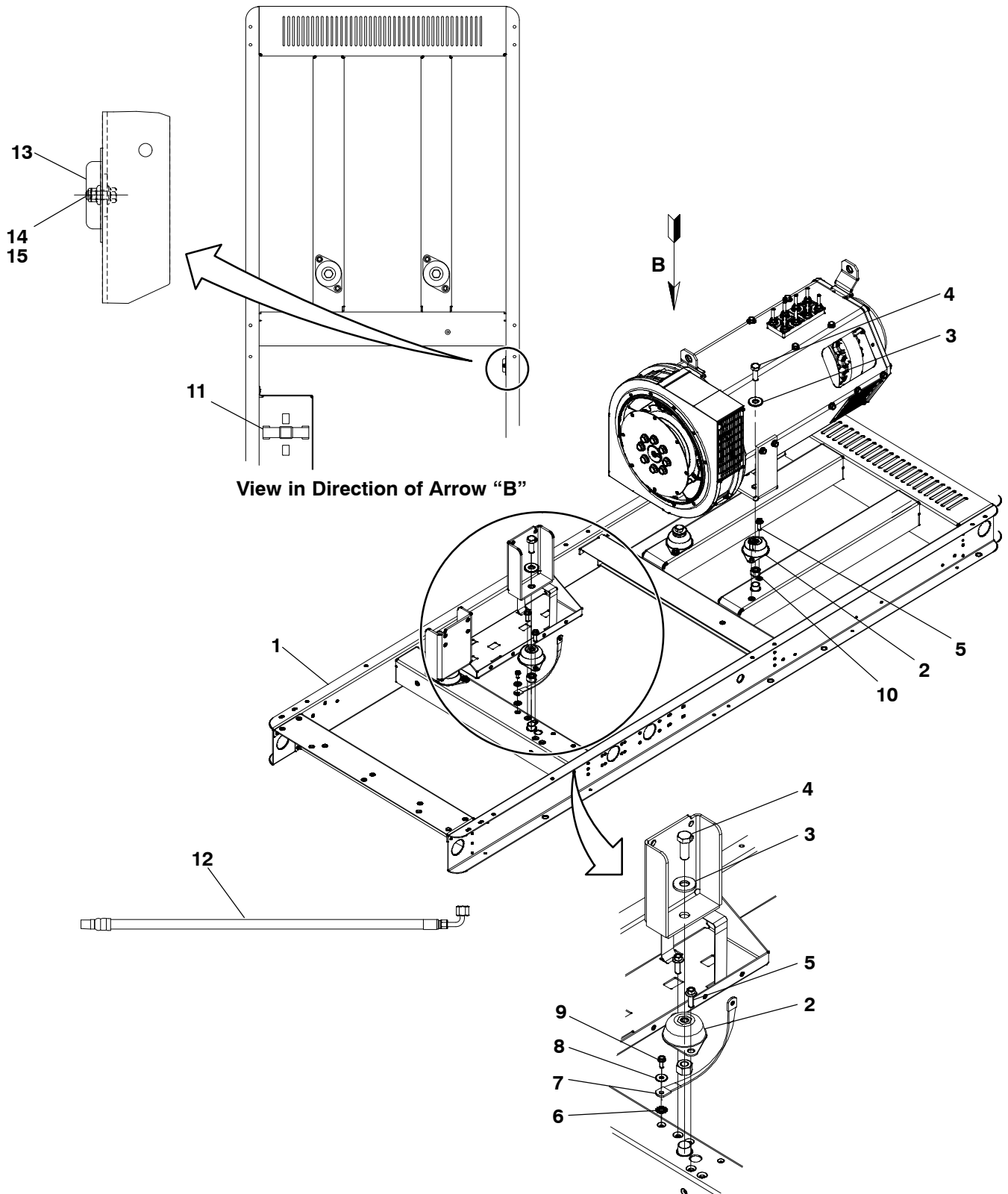
Busbar – Delta, Double Delta



Busbar – Delta, Double Delta

| Item | Part No. | Description | Qty |
|------|--------------|-----------------|-----|
| 1 | A054T037 | Busbar, Copper | 2 |
| 2 | A054T035 | Busbar, Copper | 2 |
| 3 | 0526-0399-19 | Washer, Flat | 12 |
| 4 | 0800-0051 | Screw, Hex Head | 8 |
| 5 | 0870-0550-09 | Nut, Hex Flange | 12 |
| 6 | A054W590 | Barrier, Phase | 1 |
| 7 | A054T035 | Busbar, Copper | 3 |
| 8 | 0526-0399-19 | Washer, Flat | 6 |
| 9 | 0800-0051 | Screw, Hex Head | 6 |
| 10 | 0870-0550-09 | Nut, Hex Flange | 6 |

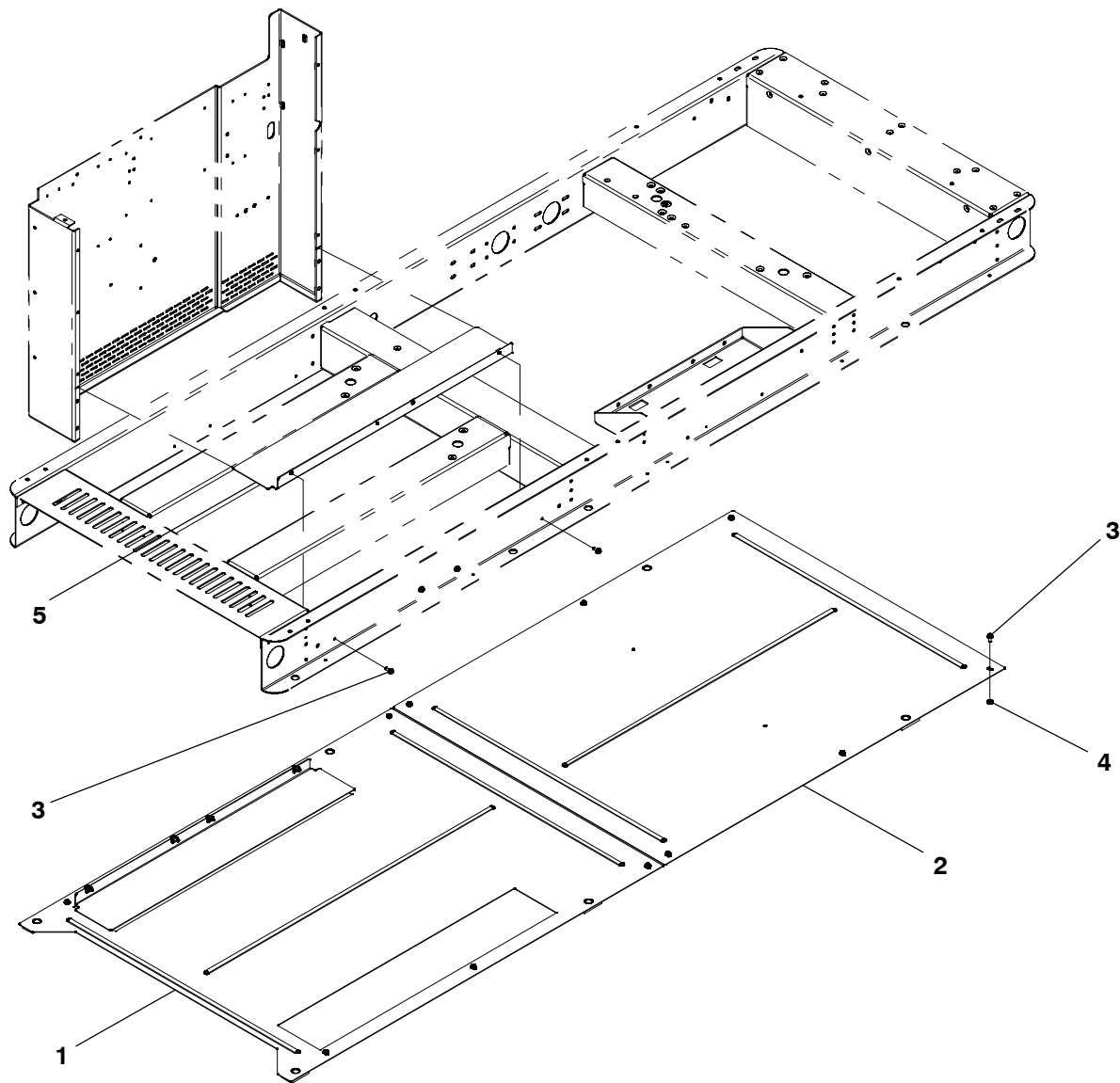
Chassis Installation



Chassis Installation

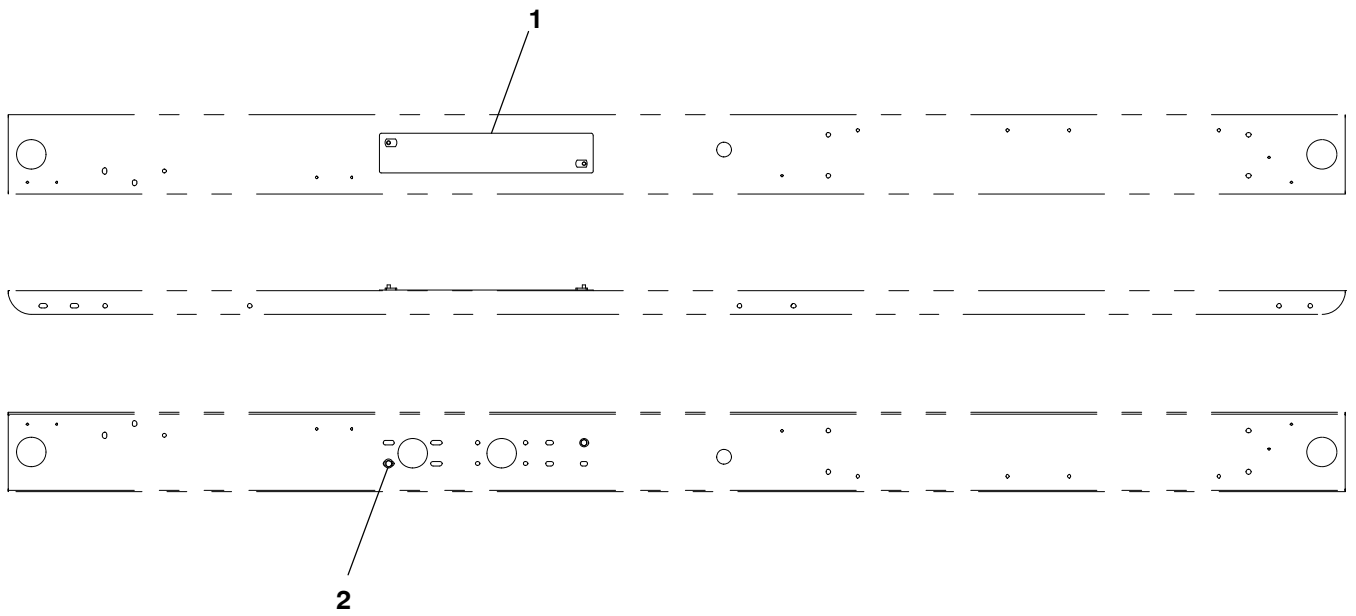
| Item | Part No. | Description | Qty |
|------|--------------|------------------------|-----|
| 1 | A060B526 | Chassis | 1 |
| 2 | 0402-0779-05 | Isolator, Vibration | 4 |
| 3 | 0526-0238-01 | Washer, Flat | 4 |
| 4 | 0800-0607 | Screw, Hex Head | 4 |
| 5 | A048U555 | Screw, Hollow Head | 8 |
| 6 | 0856-0010 | Washer, Lock | 1 |
| 7 | A054P279 | Strap, Electrical | 1 |
| 8 | 0526-0399-61 | Washer, Flat | 1 |
| 9 | 0815-0829-06 | Screw, Hollow Head | 1 |
| 10 | 0862-0044 | Nut, Hex | 4 |
| 11 | A044G477 | Strap, Battery | 1 |
| 12 | A054E522 | Line, Flexible Fuel | 2 |
| 13 | A059Z995 | Cover, Access | 1 |
| 14 | A050P483 | Screw, Hex Flange Head | 1 |
| 15 | A052Z191 | Nut, Lock | 1 |

Skid Pan



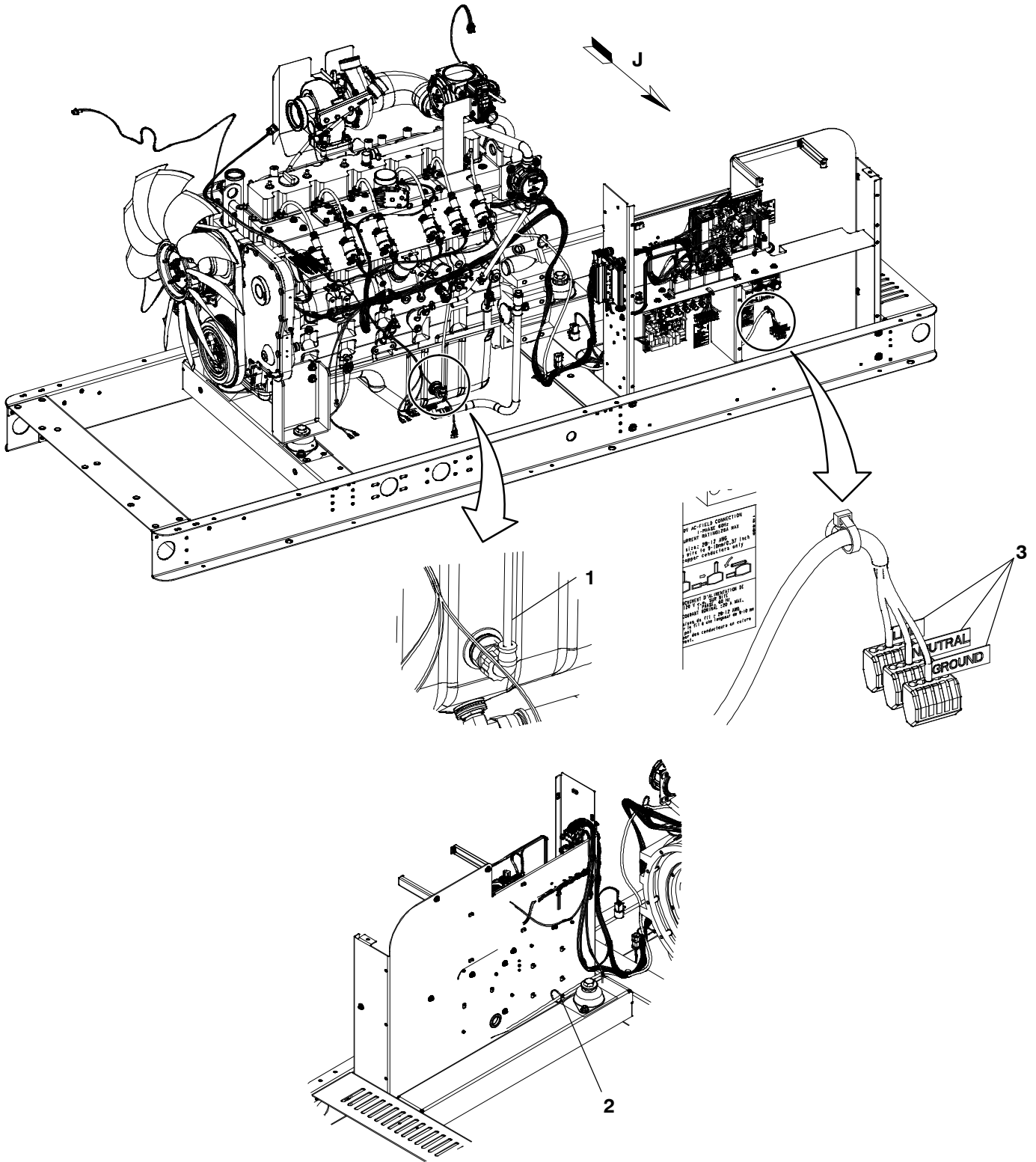
| Item | Part No. | Description | Qty |
|------|--------------|-----------------|-----|
| 1 | A054X901 | Pan, Skid | 1 |
| 2 | A054X905 | Pan, Skid | 1 |
| 3 | 0815-0857-02 | Screw, Hex Head | 20 |
| 4 | 0870-2065-02 | Nut, Hex Flange | 12 |
| 5 | A059P177 | Cover, Plate | 2 |

Cover



| Item | Part No. | Description | Qty |
|------|--------------|-----------------|-----|
| 1 | A059W835 | Cover | 1 |
| 2 | 0821-6003-01 | Screw, Hex Head | 2 |

Oil Heater

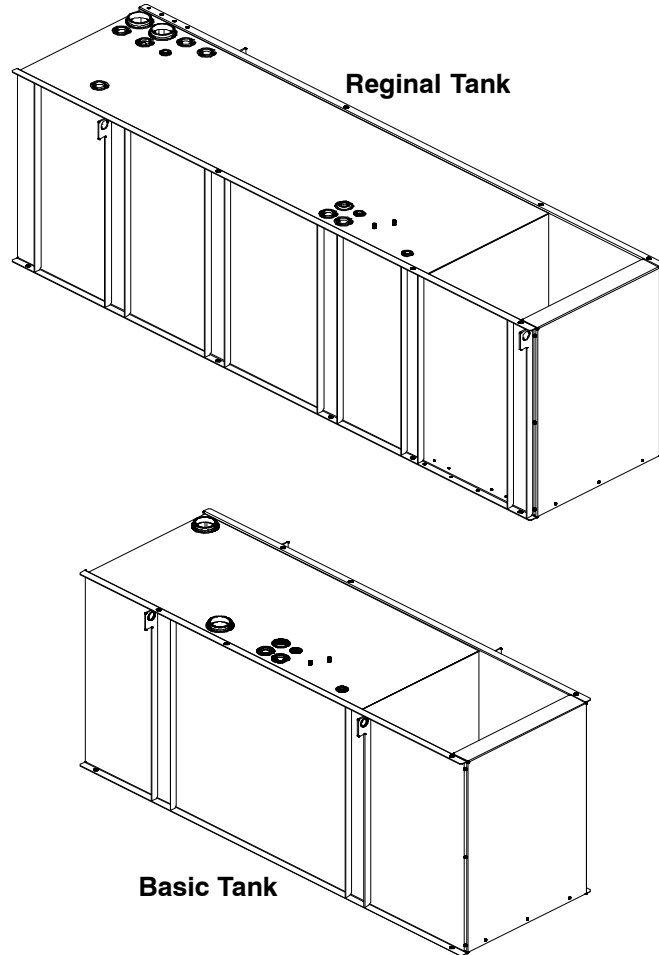


View in Direction of Arrow "J"

Oil Heater

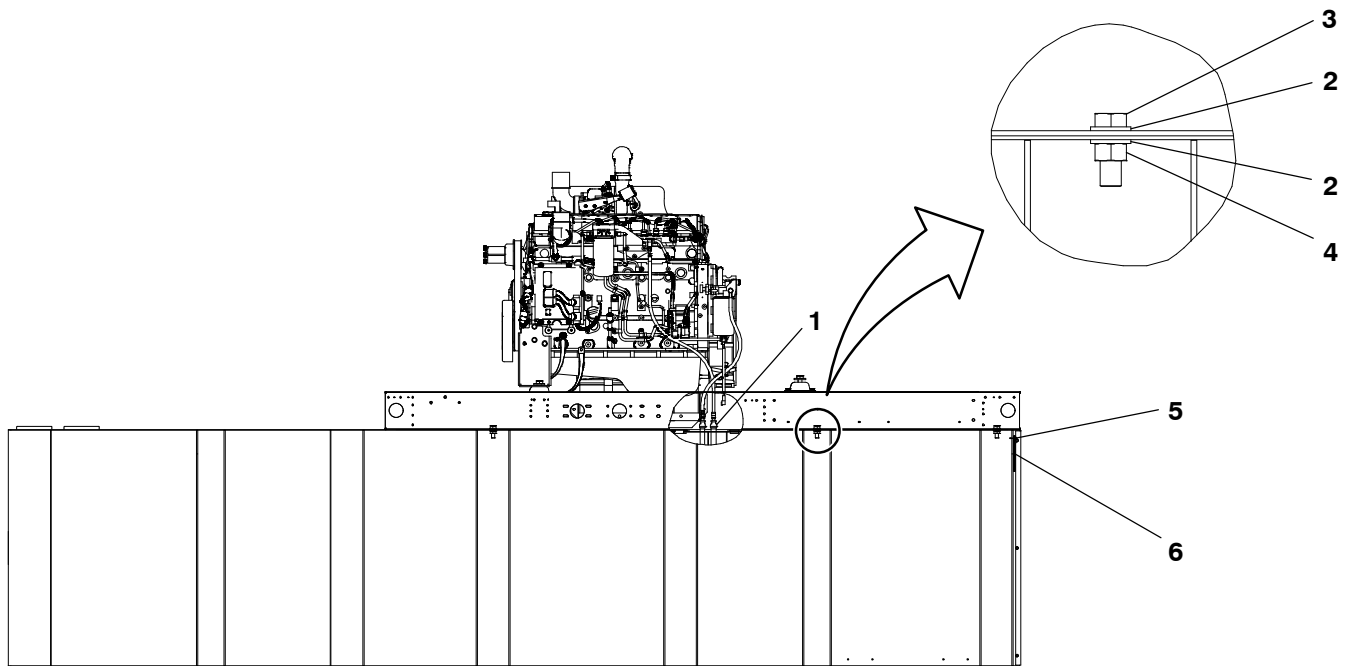
| Item | Part No. | Description | Qty |
|------|-----------|----------------|-----|
| 1 | A051F338 | Heater, Engine | 1 |
| 2 | 0332-1794 | Tie, Cable | 4 |
| 3 | A046G477 | Label, Marking | 1 |

Fuel Tank



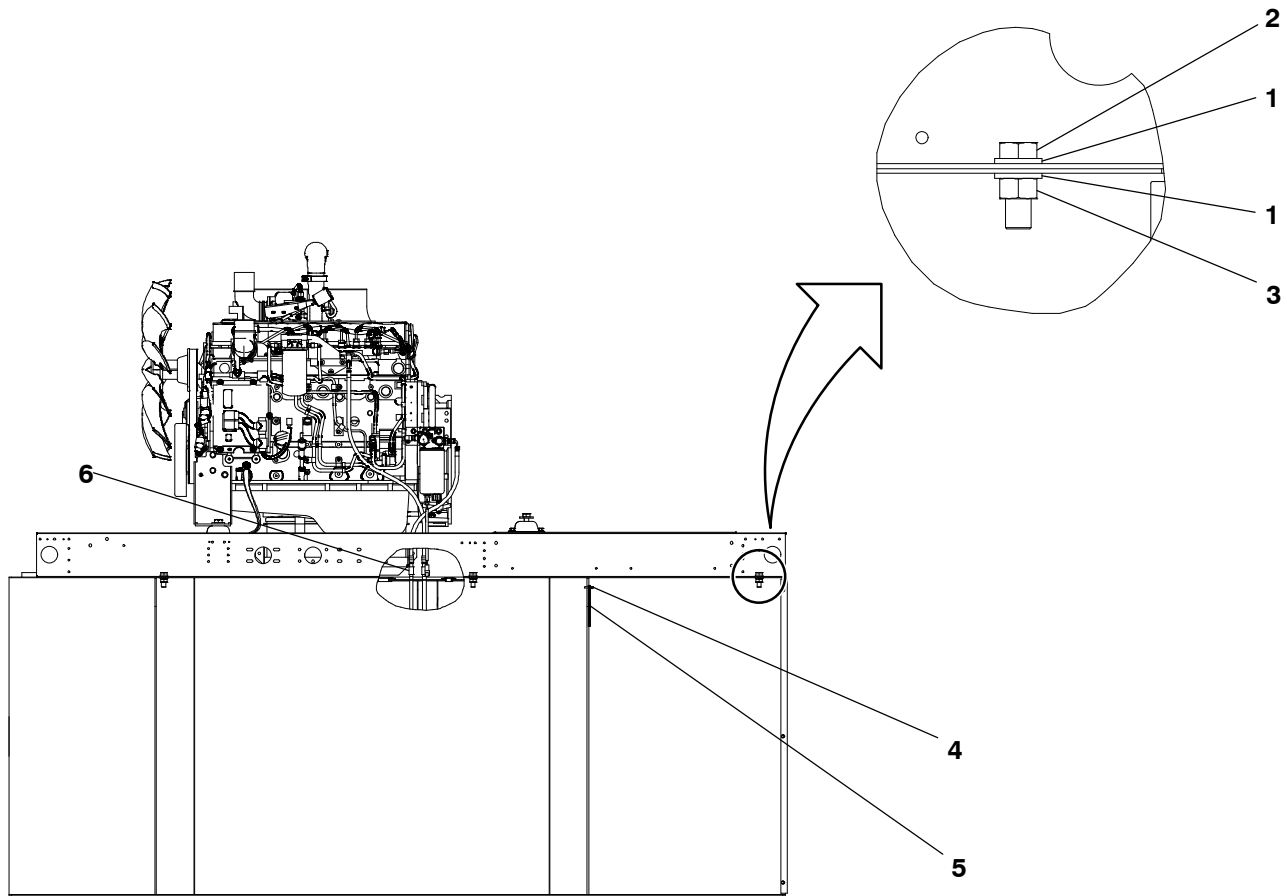
| Item | Part No. | Description | Qty |
|------|----------|--|-----|
| 1 | | Tank, Fuel – Regional, 2 Wall, Sub Base, 24Hr Minimum | |
| | A056Y392 | 351 Gallon | 1 |
| 2 | | Tank, Fuel – Regional, 2 Wall, Sub Base, 48Hr Minimum | |
| | A056Y394 | 737 Gallon | 1 |
| 3 | | Tank, Fuel – Regional, 2 Wall, Sub Base, 72Hr Minimum | |
| | A056Y394 | 737 Gallon (C125D6D) | 1 |
| | A055S002 | 1055 Gallon (C150D6D, C175D6D, C200D6D) | 1 |
| 4 | | Tank, Fuel – Regional, 2 Wall, Sub Base, 96Hr Minimum | |
| | A055S002 | 1055 Gallon (C125D6D) | 1 |
| 5 | | Tank, Fuel – Basic, 2 Wall, Sub Base, 24Hr Minimum | |
| | A058J692 | 260 Gallon (C125D6D) | 1 |
| | A058J694 | 353 Gallon (C150D6D, C175D6D) | 1 |
| | A058J695 | 526 Gallon (C200D6D) | 1 |
| 6 | | Tank, Fuel – Basic, 2 Wall, Sub Base, 48Hr Minimum | |
| | A058J695 | 526 Gallon (C125D6D) | 1 |
| | A056Y394 | 737 Gallon (C150D6D, C175D6D, C200D6D) | 1 |

Fuel Tank Installation (24, 48, 72, 96 Hr. Regional) (1/4NPT to 1/2NPT)



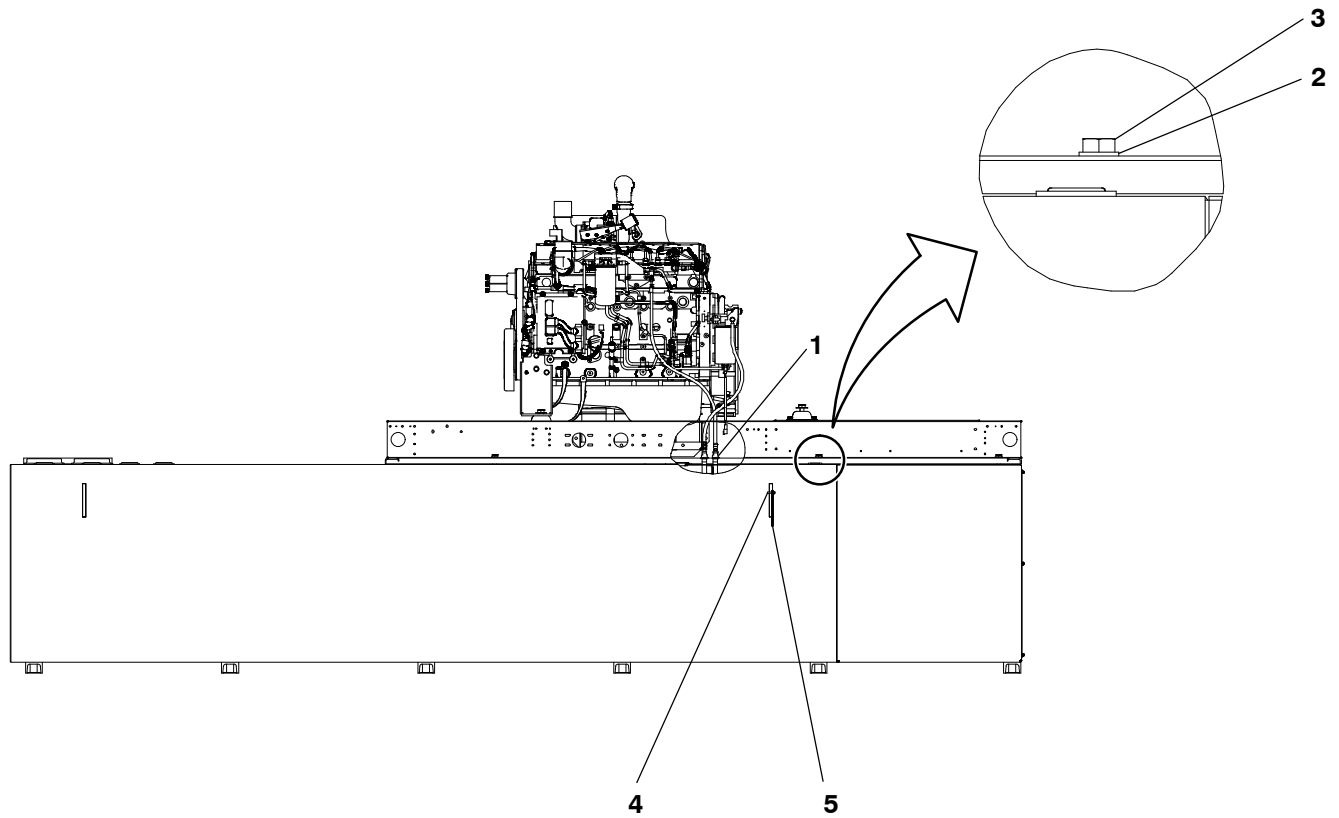
| Item | Part No. | Description | Qty |
|------|--------------|-------------------|-----|
| 1 | A057L163 | Coupling, Reducer | 2 |
| 2 | 0526-0399-66 | Washer, Flat | 12 |
| 3 | 0800-3017-73 | Screw, Hex Head | 6 |
| 4 | 0862-0026-58 | Nut, Hex | 6 |
| 5 | 0332-0941 | Tie, Cable | 1 |
| 6 | A046V710 | Shim | 6 |

Fuel Tank Installation (Basic) (1/4NPT to 1/4NPT)



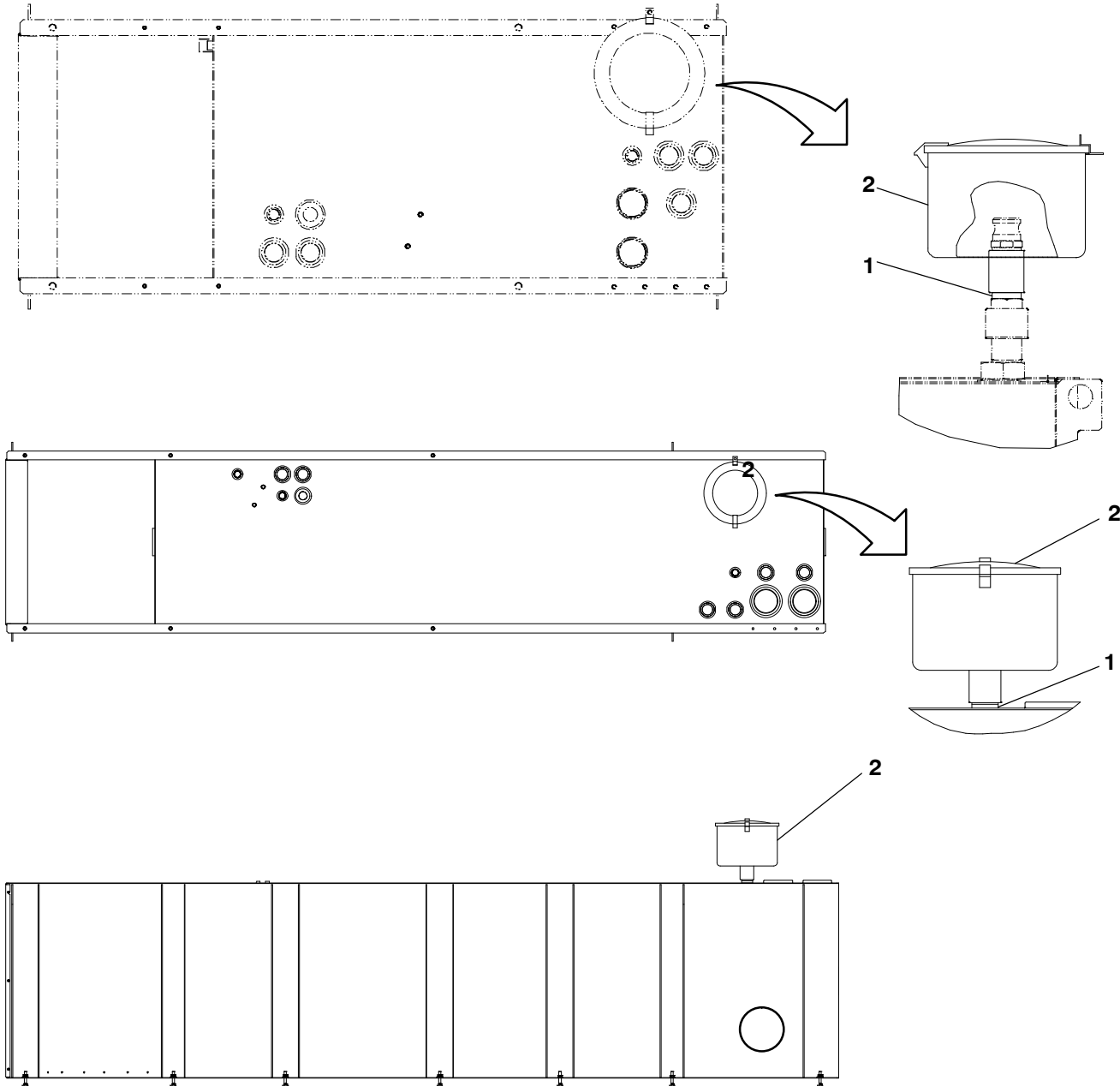
| Item | Part No. | Description | Qty |
|------|--------------|-----------------|-----|
| 1 | 0526-0399-66 | Washer, Flat | 12 |
| 2 | 0800-3017-73 | Screw, Hex Head | 6 |
| 3 | 0862-0026-58 | Nut, Hex | 6 |
| 4 | 0332-0941 | Tie, Cable | 1 |
| 5 | A046V710 | Shim | 6 |
| 6 | 0505-0027 | Coupling, Pipe | 2 |

Fuel Tank Installation (72, 96 Hr. Regional) (1/4NPT to 1/2NPT)



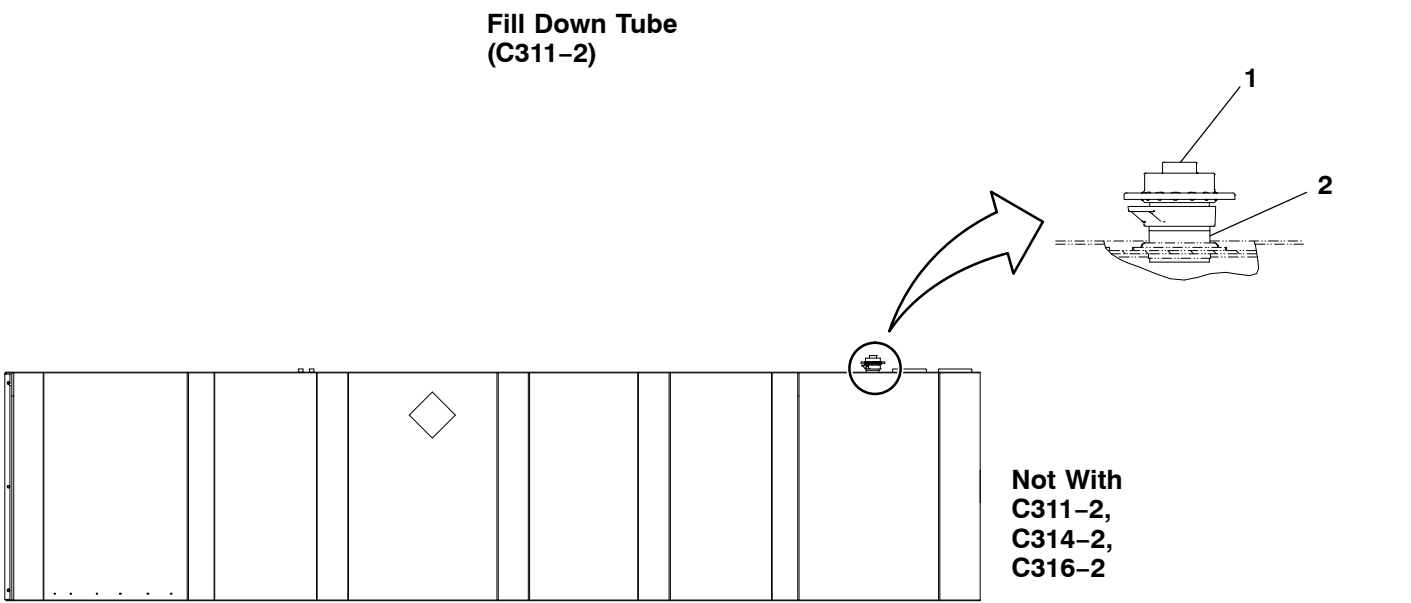
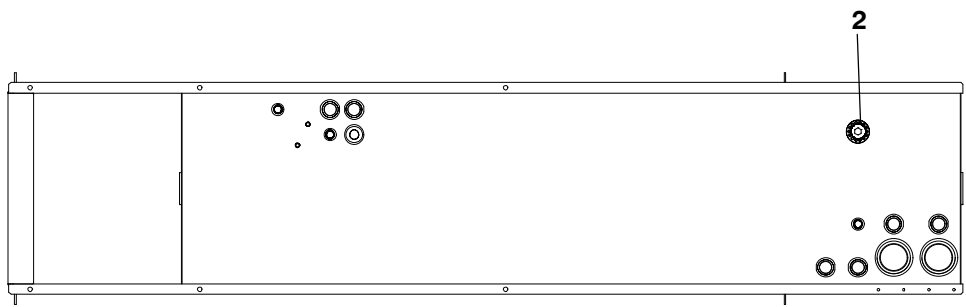
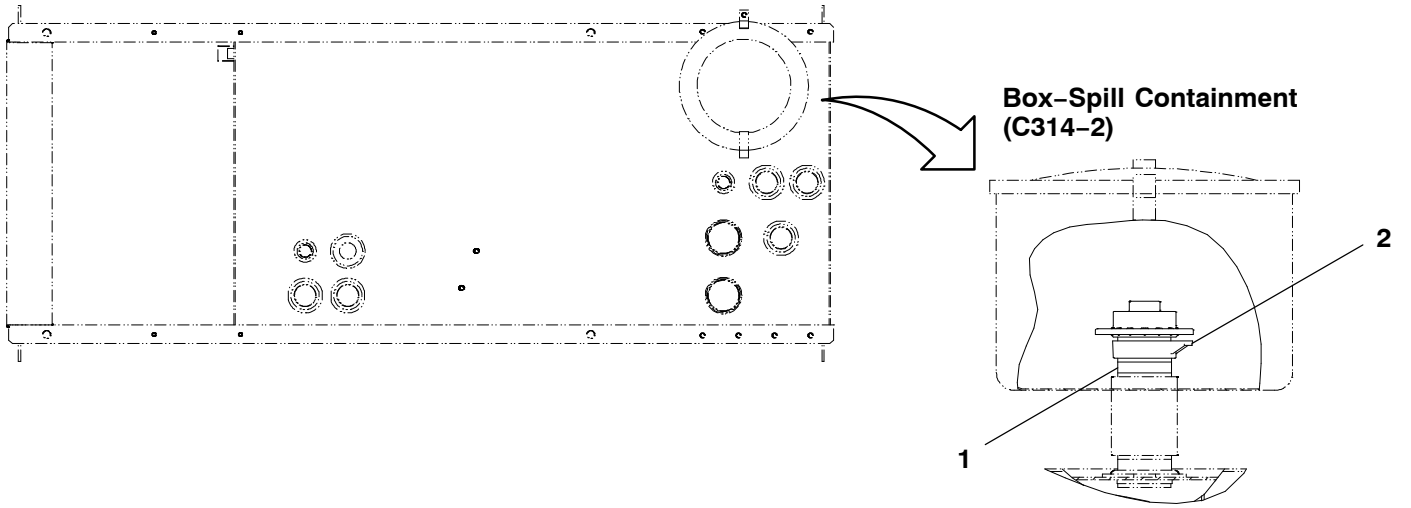
| Item | Part No. | Description | Qty |
|------|--------------|-------------------|-----|
| 1 | A057L163 | Coupling, Reducer | 2 |
| 2 | 0526-0399-66 | Washer, Flat | 6 |
| 3 | 0800-3017-73 | Screw, Hex Head | 6 |
| 4 | 0332-0941 | Tie, Cable | 1 |
| 5 | A046V710 | Shim | 6 |

Filler Neck (24, 48, 72, 96 Hr. Regional) (Box-Spill Containment (C314-2))



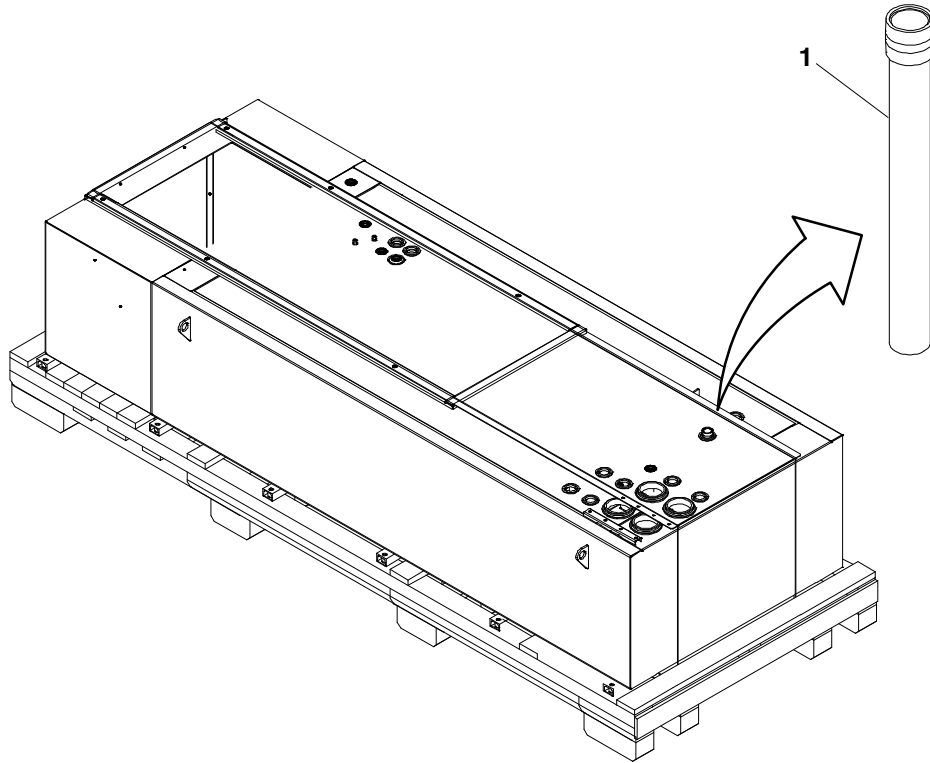
| Item | Part No. | Description | Qty |
|------|-----------|---------------|-----|
| 1 | 0505-0172 | Nipple, Close | 1 |
| 2 | A045T481 | Tank, Fuel | 1 |

Filler Neck (24, 48, 72, 96 Hr. Regional)



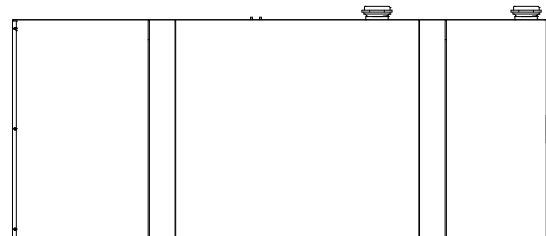
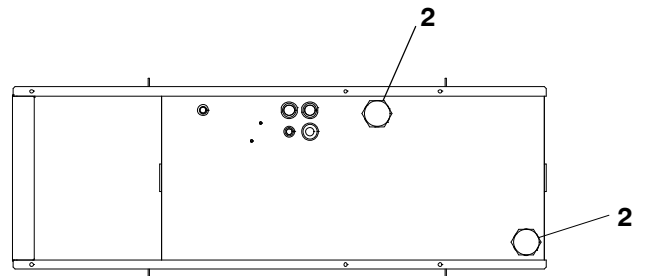
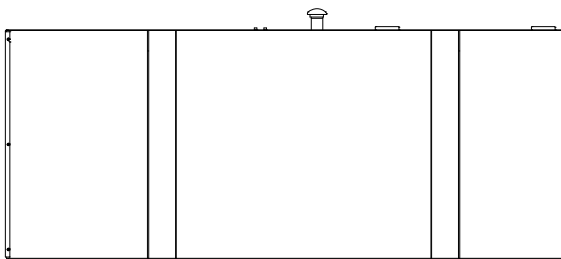
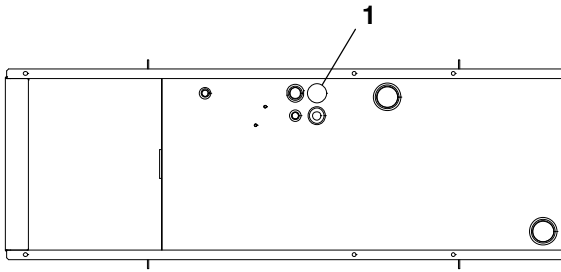
| Item | Part No. | Description | Qty |
|------|-----------|----------------|-----|
| 1 | 0505-0172 | Nipple, Close | 1 |
| 2 | A045Z195 | Cap, Fuel Tank | 1 |

Filler Neck (C311–2 Fill Down Tube)



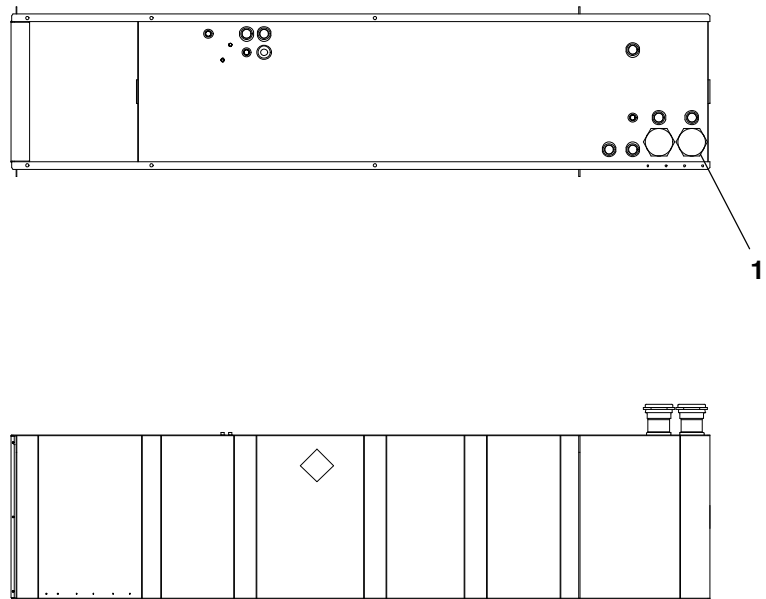
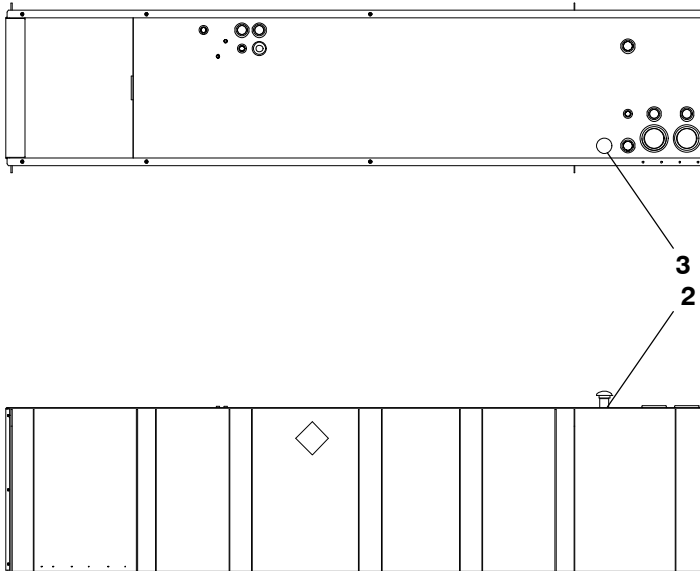
| Item | Part No. | Description | Qty |
|------|----------|---|-----|
| 1 | | Tube, Fill | |
| | A057S740 | 24 Hr. Regional (All Models) | 1 |
| | A057S741 | 48 Hr. Regional (All Models) | 1 |
| | A057S741 | 72 Hr. Regional (C125D6D) | 1 |
| | A057S742 | 72 Hr. Regional (C150D6D, C175D6D, C200D6D) | 1 |
| | A057S742 | 96 Hr. Regional (C125D6D) | 1 |

Fuel Tank Vent (24, 48 Hr. Basic)



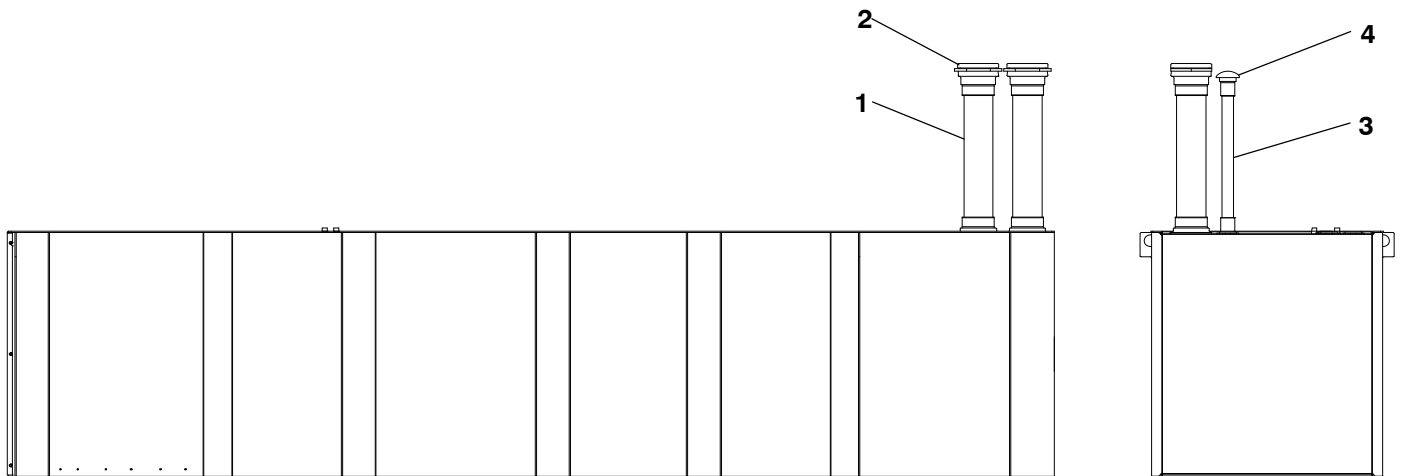
| Item | Part No. | Description | Qty |
|------|--------------|-----------------|-----|
| 1 | 0159-1371-03 | Cap, Vent | 1 |
| 2 | A046V520 | Vent, Fuel Tank | 2 |

Fuel Tank Vent (24, 48, 72, 96 Hr. Regional – Not With C315-2, L224-2, L196-2, L225-2)



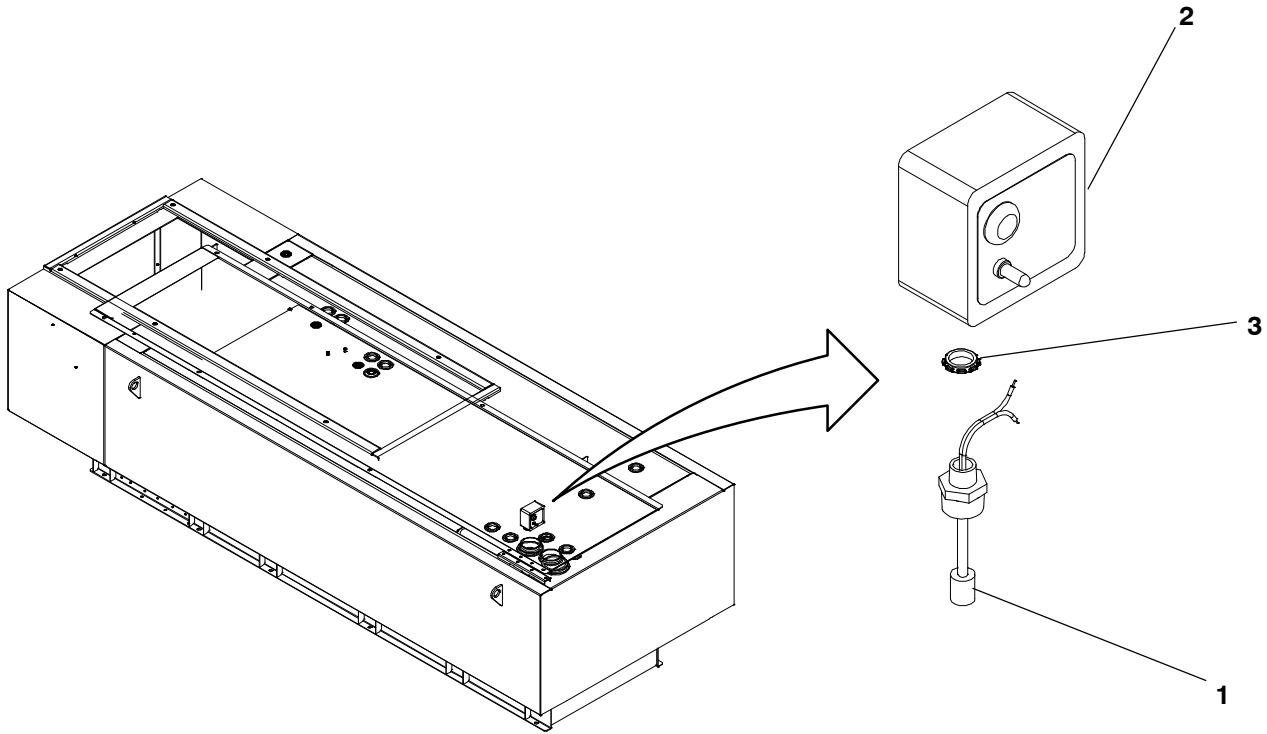
| Item | Part No. | Description | Qty |
|------|--------------|-----------------|-----|
| 1 | A057C848 | Vent, Fuel Tank | 2 |
| 2 | 0505-0173 | Fitting, Nipple | 1 |
| 3 | 0159-1371-03 | Cap, Vent | 1 |

Fuel Tank Vent (24, 48, 72, 96 Hr. Regional) (L-224-2, L196-2, L225-2)



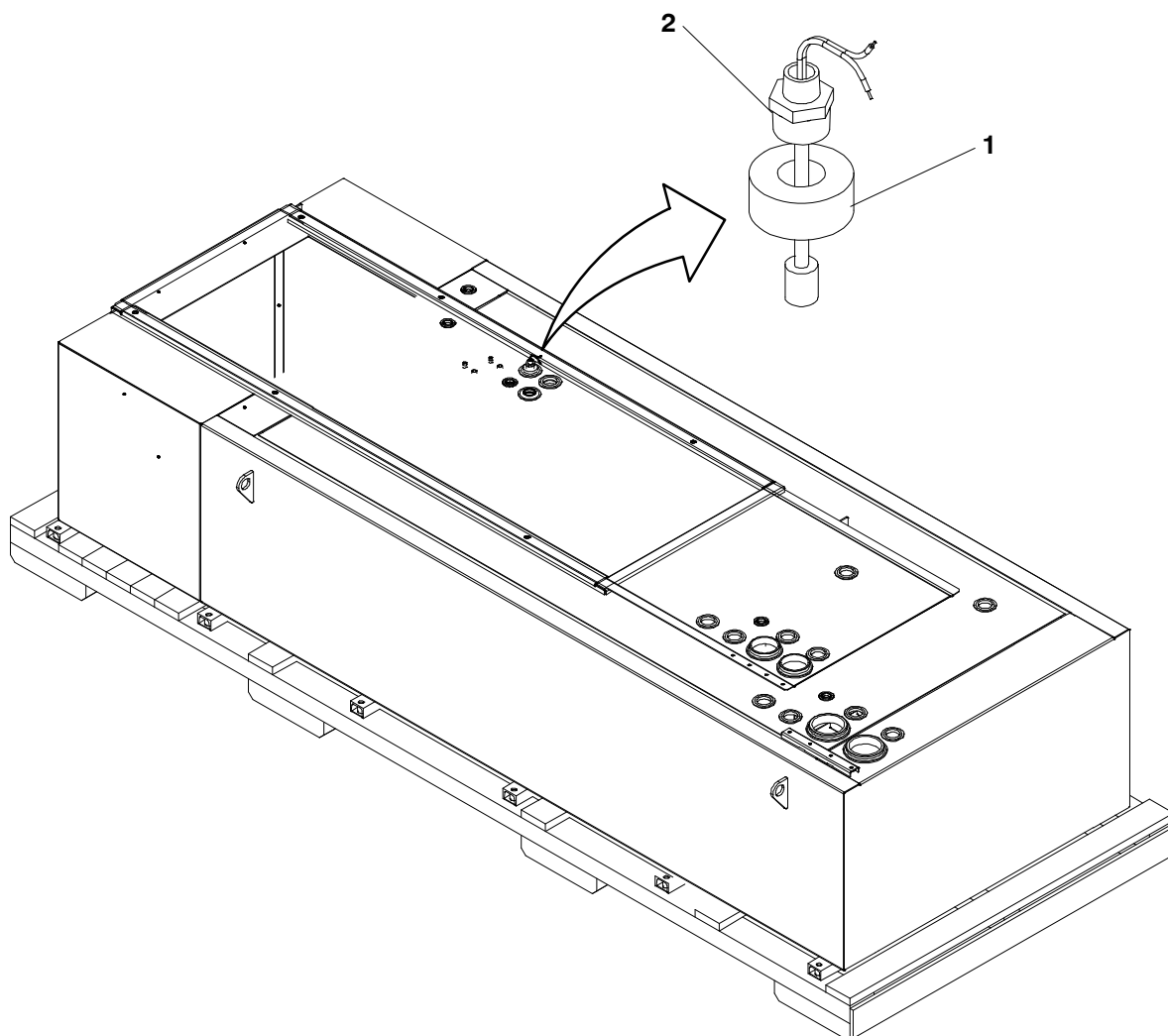
| Item | Part No. | Description | Qty |
|------|--------------|-----------------|-----|
| 1 | A057B403 | Tube, Vent | 2 |
| 2 | A057C851 | Vent, Fuel Tank | 2 |
| 3 | A046K278 | Tube, Vent | 2 |
| 4 | 0159-1371-03 | Cap, Vent | 2 |

Alarm Panel – High Fuel



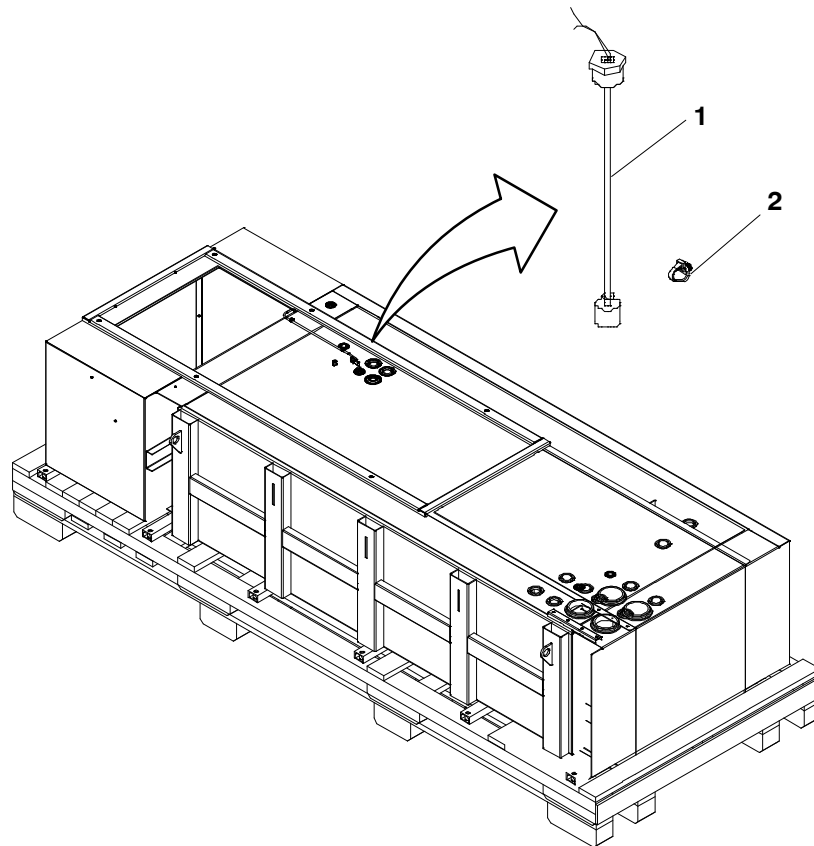
| Item | Part No. | Description | Qty |
|------|-----------|--|-----|
| 1 | | Switch, Fuel Level | |
| | A054J324 | 24 Hr. and 48 Hr. Regional (All Models) | 1 |
| | A057R146 | 72 Hr. Regional (C125D6D) | 1 |
| | A057R148 | 72 Hr. Regional (C150D6D, C175D6D, C200D6D), 96 Hr. Regional (C125D6D) | 1 |
| 2 | A045T423 | Module, Alarm | 1 |
| 3 | 0331-0532 | Nut, Sealing Lock | 1 |

High Fuel Switch (90%)



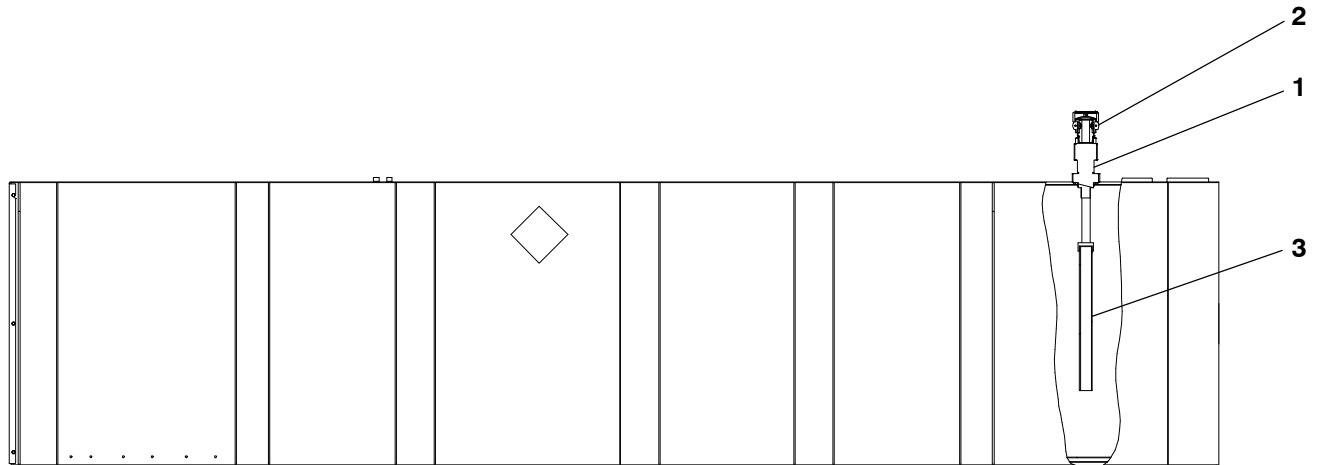
| Item | Part No. | Description | Qty |
|------|-----------|--|-----|
| 1 | 0505-0394 | Bushing, Reducer | 1 |
| 2 | | Switch, Fuel Level | |
| | A054J324 | 24 Hr. Regional (All Models) | 1 |
| | A057R146 | 48 Hr. Regional (All Models), 72 Hr. Regional (C125D6D) | 1 |
| | A057R148 | 72 Hr. Regional (C150D6D, C175D6D, C200D6D), 96 Hr. Regional (C125D6D) | 1 |

Low Fuel Switch (40%)



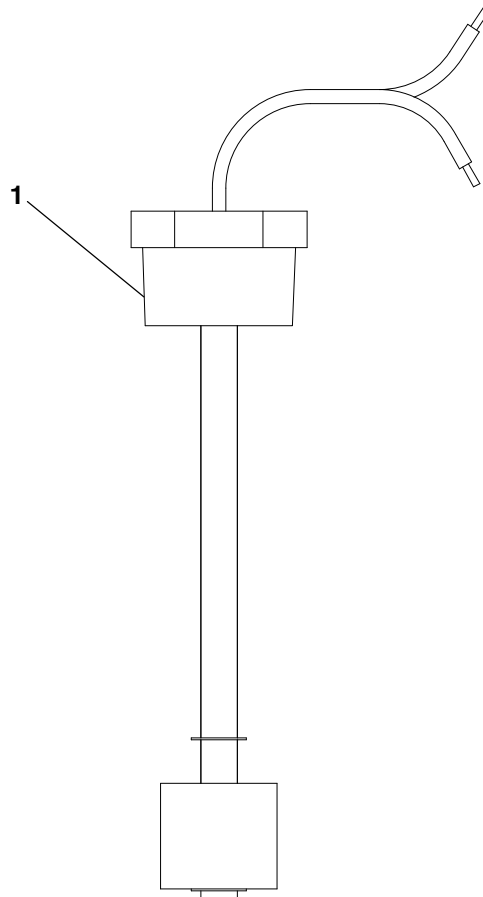
| Item | Part No. | Description | Qty |
|------|----------|---|-----|
| 1 | | Switch, Fuel Level | |
| | A057T414 | 24 Hr. Regional (All Models) | 1 |
| | A057T416 | 48 Hr. Regional (All Models), 72 Hr. Regional (C125D6D), 48 Hr. Basic (C150D6D, C175D6D, C200D6D) | 1 |
| | A057T418 | 72 Hr. Regional (C150D6D, C175D6D, C200D6D), 96 Hr. Regional (C125D6D) | 1 |
| | A054J405 | 24 Hr. Basic (C125D6D) | 1 |
| | A054J406 | 24 Hr. Basic (C150D6D, C175D6D) | 1 |
| | A054J407 | 24 Hr. Basic (C200D6D, 48 Hr. Basic (C125D6D) | 1 |
| 2 | A044D694 | Tie, Cable | 2 |

Fuel Tank Valve – 95% Over Fill Protection (C316–2)



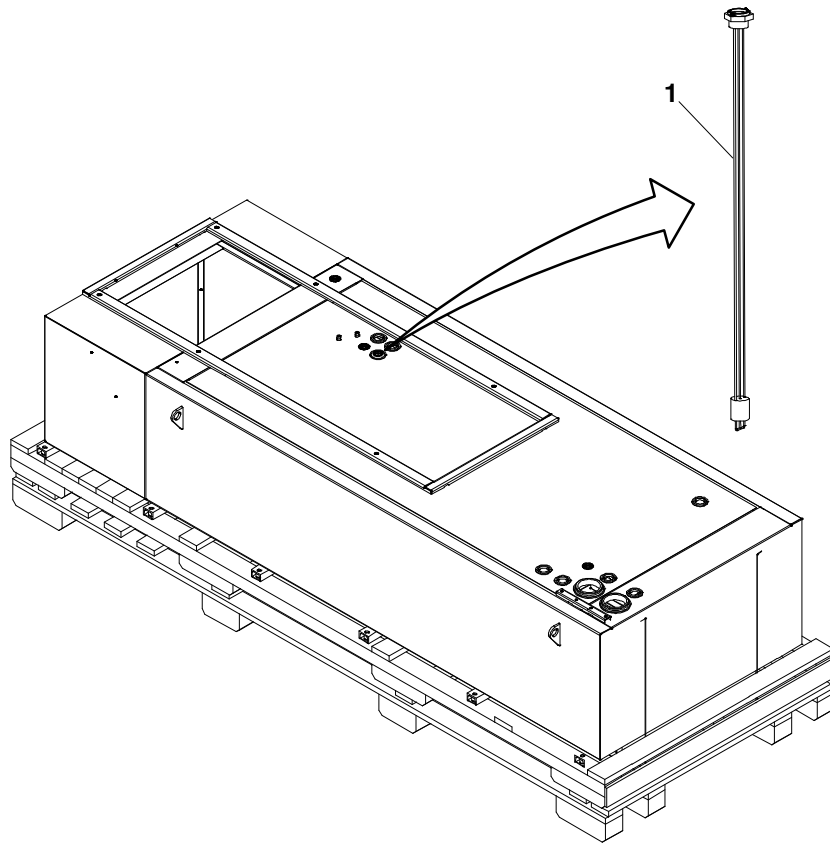
| Item | Part No. | Description | Qty |
|------|----------|-------------------|-----|
| 1 | A045T464 | Valve | 1 |
| 2 | A046P417 | Adapter, Coupling | 1 |
| 3 | | Fitting, Nipple | |
| | A057U056 | 156.3mm | 1 |
| | A045T470 | 698.5mm | 1 |
| | A057U058 | 543.6mm | 1 |

Fuel Tank Switch – Rupture Basin (C318–2)



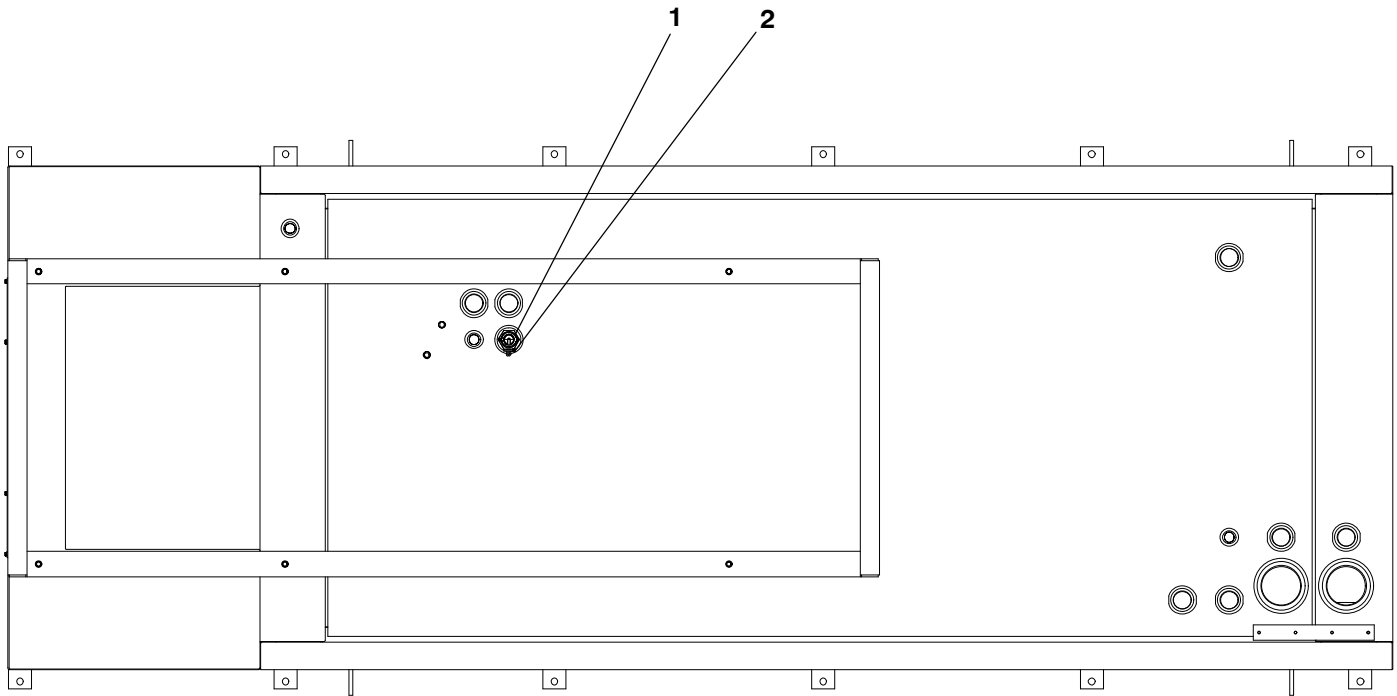
| Item | Part No. | Description | Qty |
|------|----------|---|-----|
| 1 | | Switch, Fuel Level | |
| | A054D634 | 24 Hr. Basic (C125D6D,C200D6D) | 1 |
| | A054D636 | 24 Hr. Basic (C150D6D,C175D6D) | 1 |
| | A054D637 | 24 Hr. Basic (C125D6D) | 1 |
| | A057W697 | 24 Hr. Regional (All Models) | 1 |
| | A057W698 | 72 Hr. Regional (C125D6D) | 1 |
| | A057W698 | 48 Hr. Basic (C150D6D,C175D6D,C200D6D) | 1 |
| | A057W698 | 48 Hr. Regional (All Models) | 1 |
| | A057W699 | 96 Hr. Regional (C125D6D) | 1 |
| | A057W699 | 72 Hr. Regional (C150D6D,C175D6D,C200D6D) | 1 |

Fuel Gauge (Mechanical)



| Item | Part No. | Description | Qty |
|------|----------|---|-----|
| 1 | | Gauge, Level | |
| | A057R717 | 24 Hr. Regional (All Models) | 1 |
| | A057R719 | 48 Hr. Regional (All Models) | 1 |
| | A057R719 | 72 Hr. Regional (C125D6D) | 1 |
| | A057S038 | 72 Hr. Regional (C150D6D, C175D6D, C200D6D) | 1 |
| | A057S038 | 96 Hr. Regional (C125D6D) | 1 |
| | A054G163 | 24 Hr. Basic (C125D6D) | 1 |
| | A054G164 | 24 Hr. Basic (C150D6D, C175D6D) | 1 |
| | A054G165 | 24 Hr. Basic (C200D6D) | 1 |
| | A054G165 | 48 Hr. Basic (C125D6D) | 1 |

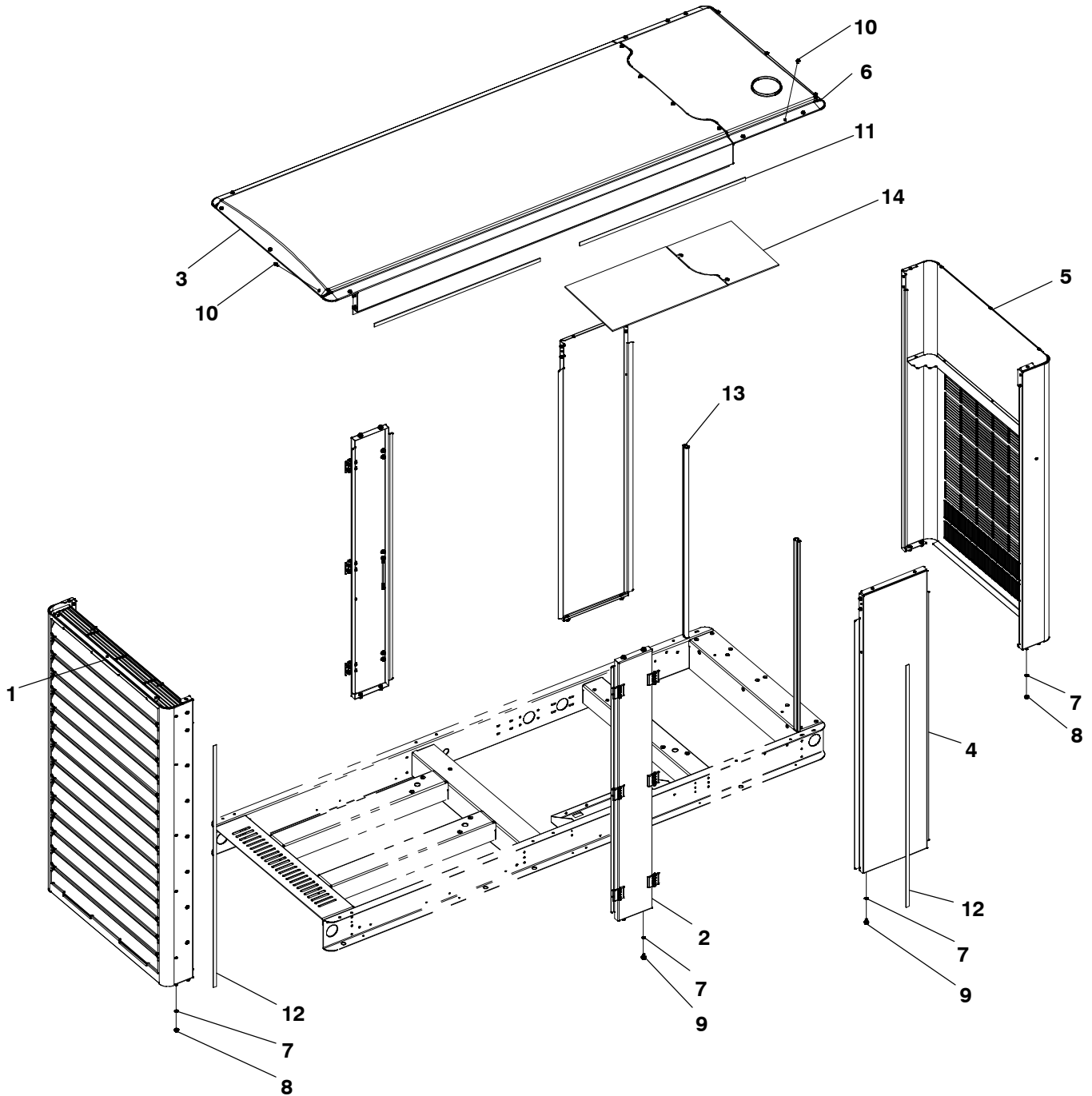
Fuel Gauge (Electronic)



| Item | Part No. | Description | Qty |
|------|-----------|--|-----|
| 1 | | Sensor, Level | |
| | A057T628 | 24 Hr. Regional (All Models) | 1 |
| | A057T629 | 48 Hr. Regional (All Models) | 1 |
| | A057T629 | 72 Hr. Regional (C125D6D) | 1 |
| | A057T630 | 72 Hr. Regional (C150D6D, C175D6D,C200D6D) | 1 |
| | A057T630 | 96 Hr. Regional (C125D6D) | 1 |
| 2 | 0332-0941 | Tie, Cable | 1 |

This page is Intentionally blank.

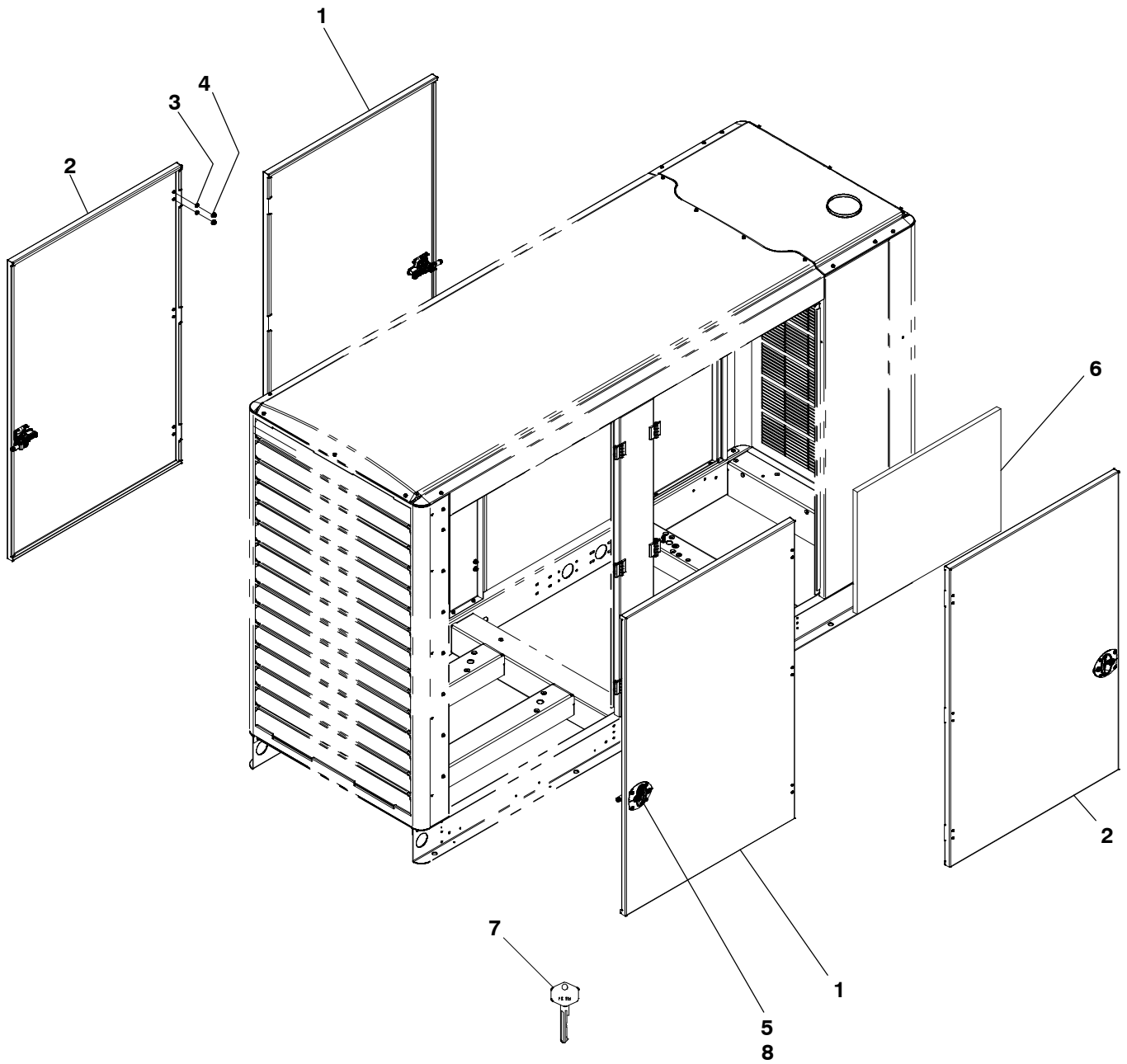
**Enclosure
(F216) (Illustration #1)**



Enclosure (F216) (Illustration #1)

| Item | Part No. | Description | Qty |
|------|--------------|------------------------|-----|
| 1 | A059K007 | Cover, Air Inlet | 1 |
| 2 | A054W860 | Post, Enclosure | 2 |
| 3 | A053Y145 | Roof, Enclosure | 1 |
| 4 | A054W662 | Panel, Enclosure | 2 |
| 5 | A059J998 | Cover, Air Outlet | 1 |
| 6 | A053P622 | Roof, Enclosure | 1 |
| 7 | 0853-2008 | Washer, Lock | 20 |
| 8 | 0870-2065-03 | Nut, Hex Flange | 8 |
| 9 | 0821-6003-01 | Screw, Hex Head | 12 |
| 10 | A050P483 | Screw, Hex Flange Head | 26 |
| 11 | A049H456 | Gasket, Door | 4 |
| 12 | A049H458 | Gasket, Door | 4 |
| 13 | A056U407 | Seal | 2 |
| 14 | A058Y753 | Insulation, Panel | 1 |

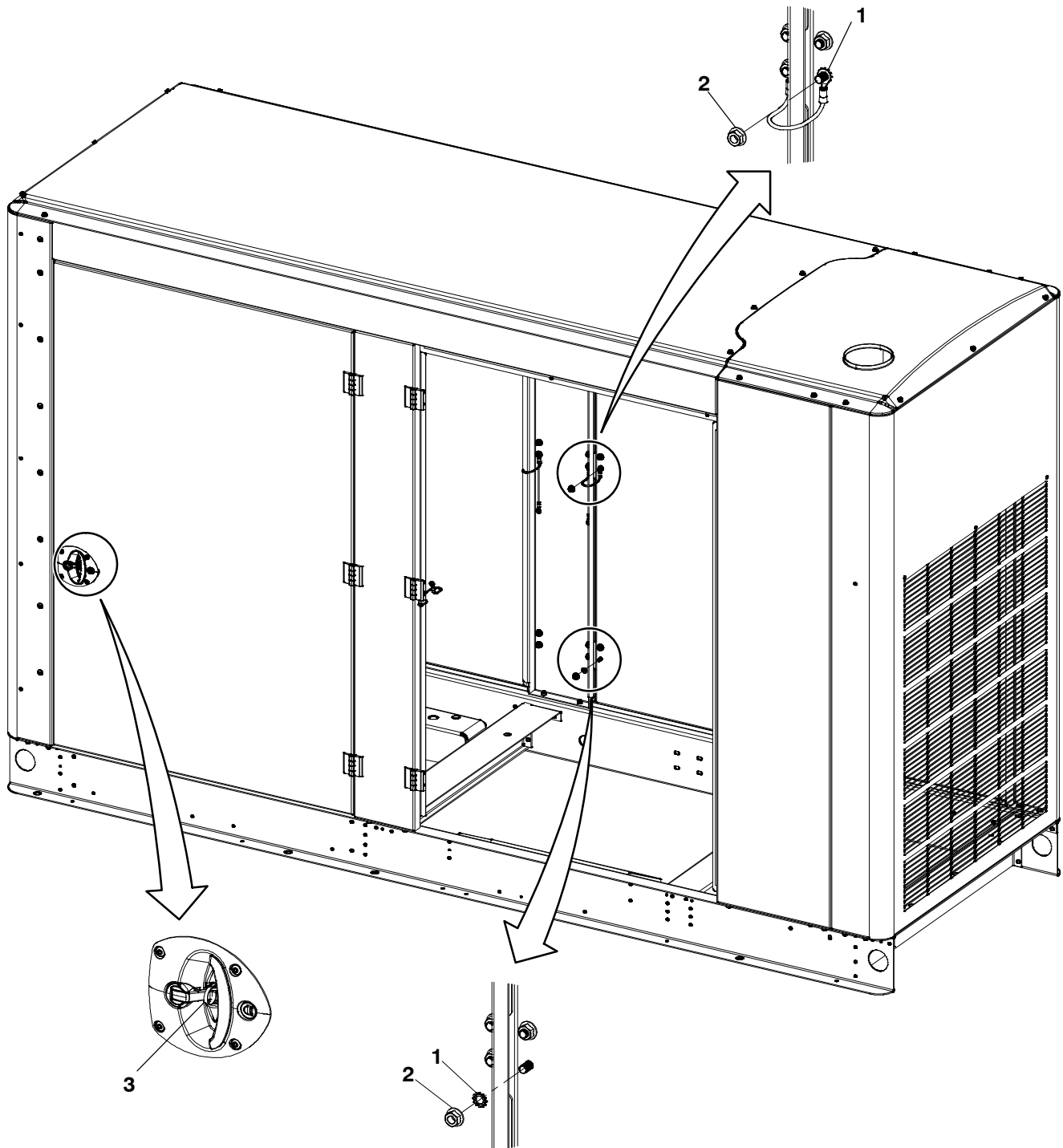
Enclosure (F216) (Illustration #2)



Enclosure (F216) (Illustration #2)

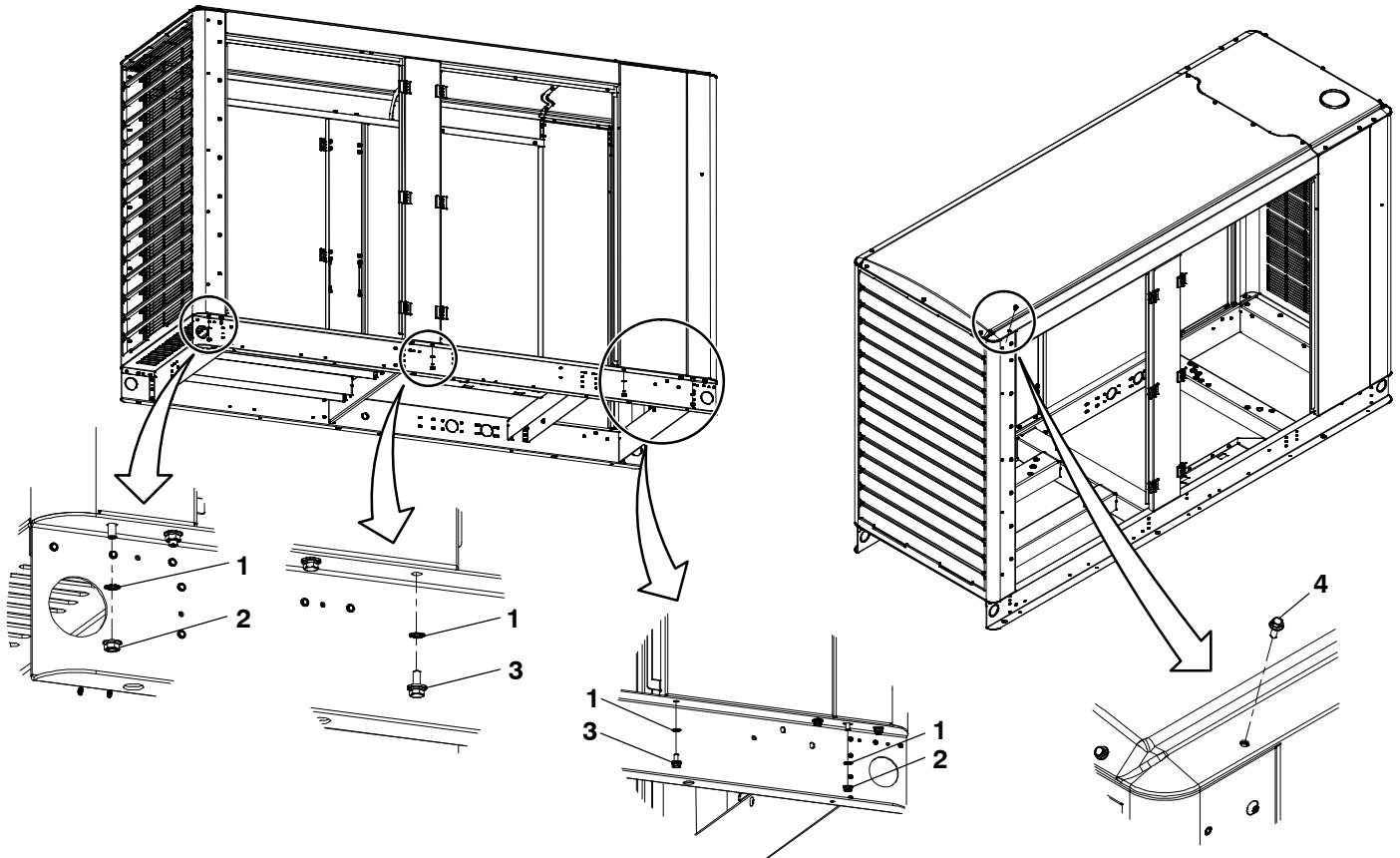
| Item | Part No. | Description | Qty |
|------|--------------|-------------------|-----|
| 1 | A054X275 | Door, Enclosure | 2 |
| 2 | A053P632 | Door, Enclosure | 2 |
| 3 | 0853–2008 | Washer, Lock | 24 |
| 4 | 0870–2065–03 | Nut, Hex Flange | 24 |
| 5 | 0332–1794 | Tie, Cable | 1 |
| 6 | A055U613 | Insulation, Panel | 1 |
| 7 | 0406–0782 | Key | 2 |
| 8 | A050U243 | Latch | 4 |

Enclosure (F216) (Illustration #3)



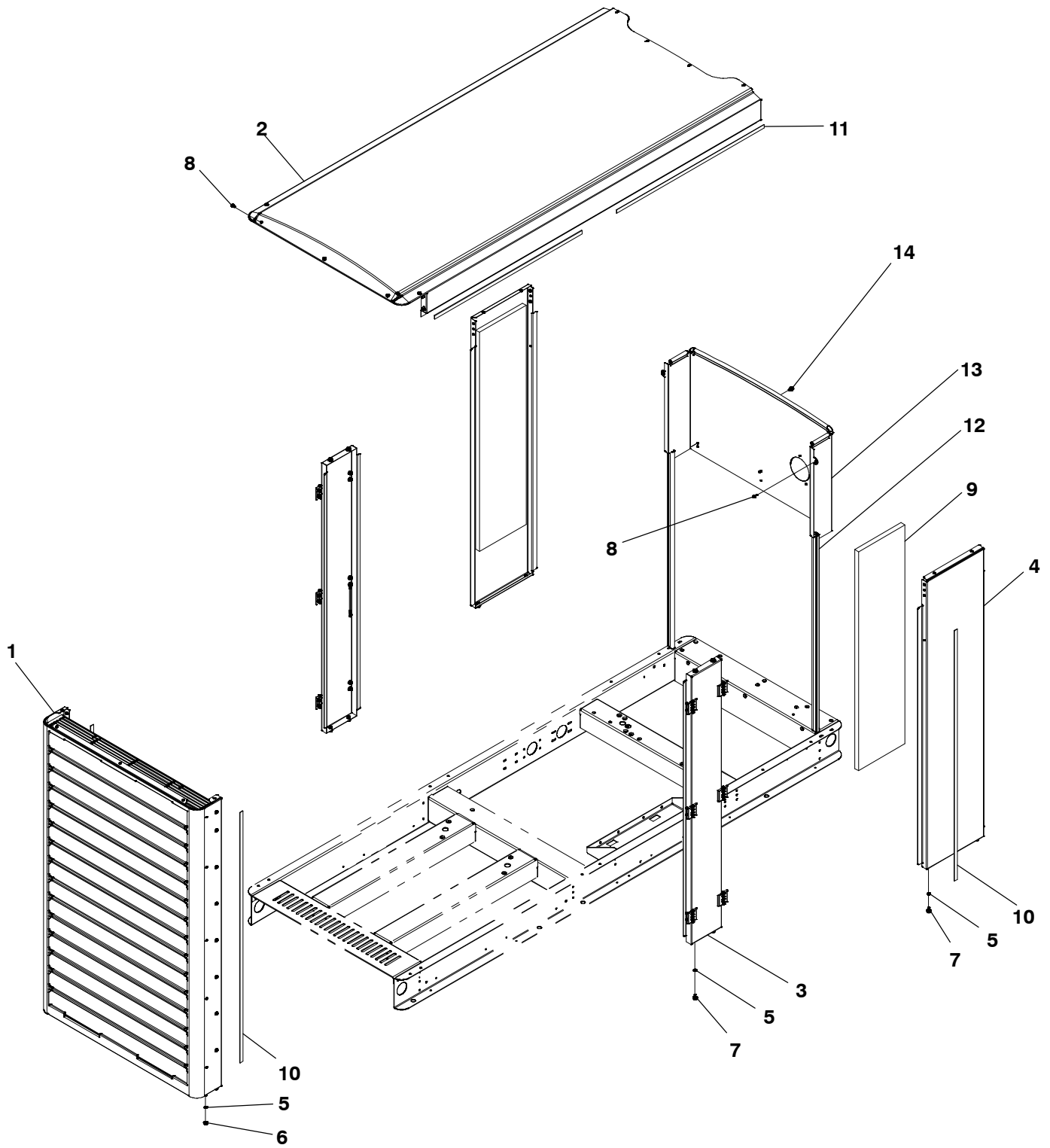
| Item | Part No. | Description | Qty |
|------|--------------|-----------------|-----|
| 1 | 0853-2008 | Washer, Lock | 24 |
| 2 | 0870-2065-03 | Nut, Hex Flange | 24 |
| 3 | 0332-1794 | Tie, Cable | 1 |

Enclosure (F216) (Illustration #4)



| Item | Part No. | Description | Qty |
|------|--------------|------------------------|-----|
| 1 | 0853-2008 | Washer, Lock | 20 |
| 2 | 0870-2065-03 | Nut, Hex Flange | 8 |
| 3 | 0821-6003-01 | Screw, Hex Head | 12 |
| 4 | A050P483 | Screw, Hex Flange Head | 26 |

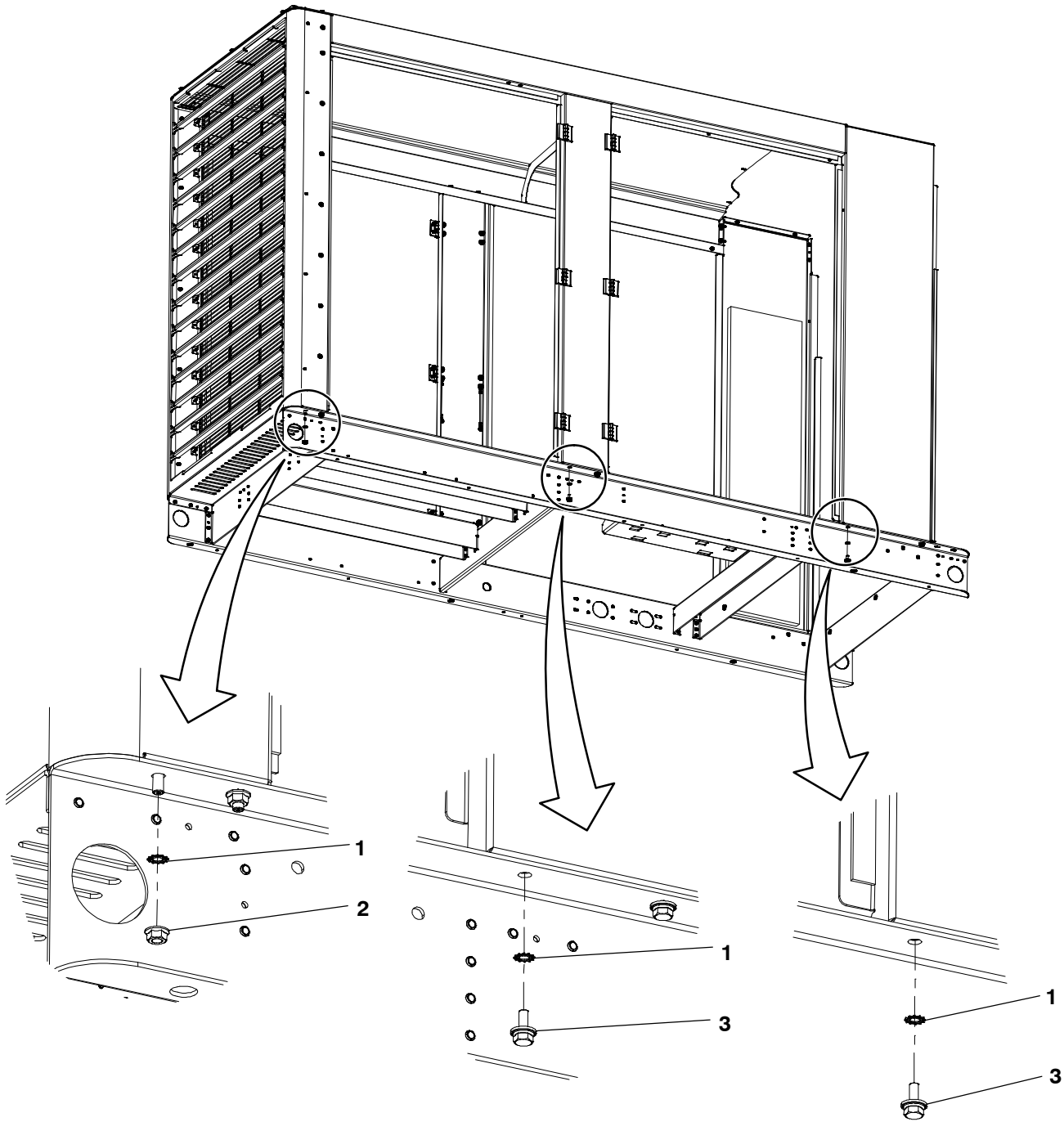
Enclosure (F231) (Illustration #1)



Enclosure (F231) (Illustration #1)

| Item | Part No. | Description | Qty |
|------|--------------|------------------------|-----|
| 1 | A059K007 | Cover, Air Inlet | 1 |
| 2 | A053Y145 | Roof, Enclosure | 1 |
| 3 | A054W860 | Post, Enclosure | 2 |
| 4 | A054W662 | Panel, Enclosure | 2 |
| 5 | 0853-2008 | Washer, Lock | 16 |
| 6 | 0870-2065-03 | Nut, Hex Flange | 4 |
| 7 | 0821-6003-01 | Screw, Hex Head | 12 |
| 8 | A050P483 | Screw, Hex Flange Head | 15 |
| 9 | A055U617 | Insulation, Panel | 2 |
| 10 | A049H458 | Gasket, Door | 4 |
| 11 | A049H456 | Gasket, Door | 4 |
| 12 | A056U407 | Seal | 2 |
| 13 | A054T049 | Panel, Bulkhead | 1 |
| 14 | A045Z943 | Screw, Hex Flange Head | 3 |

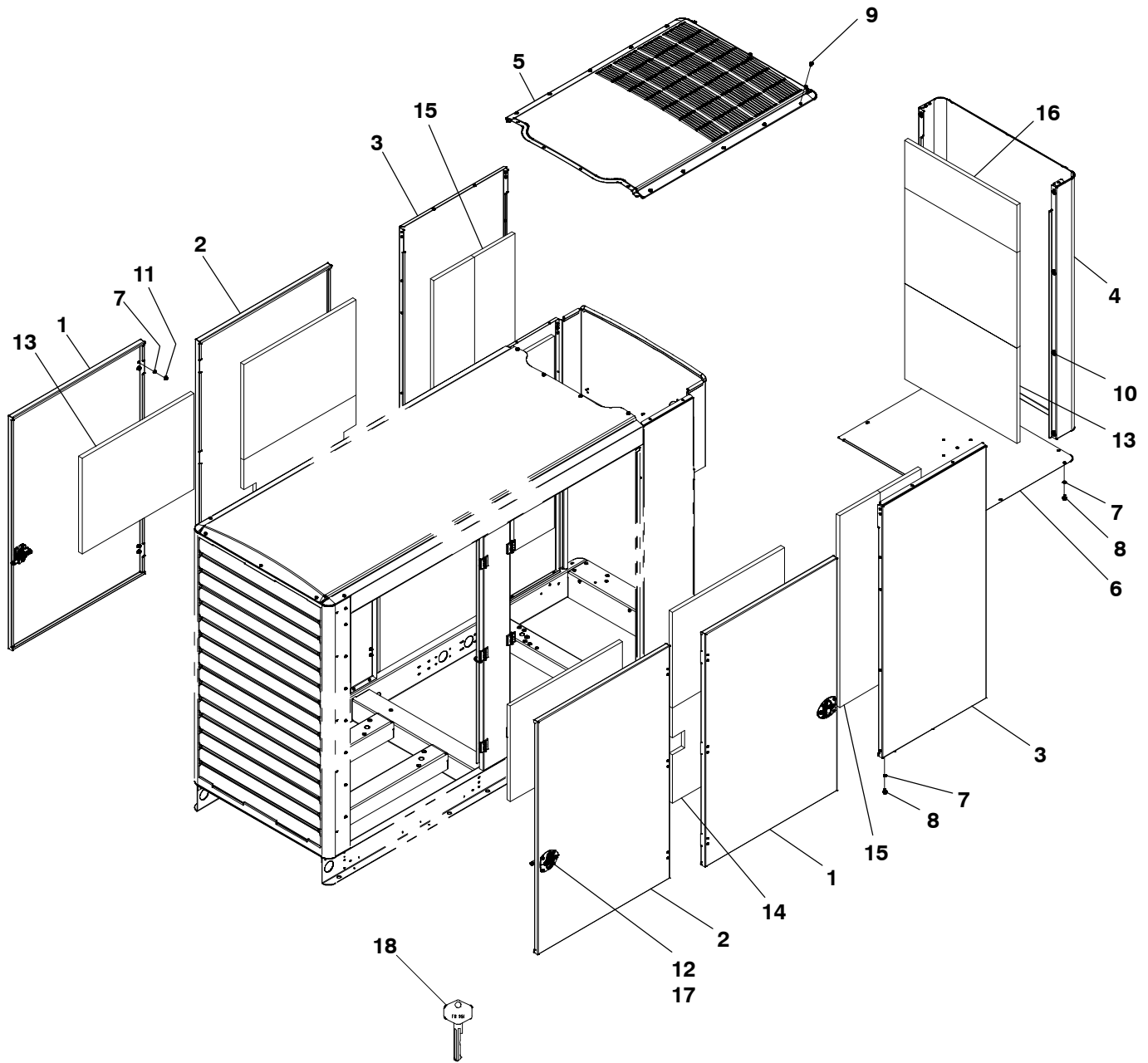
Enclosure (F231) (Illustration #2)



| Item | Part No. | Description | Qty |
|------|--------------|-----------------|-----|
| 1 | 0853-2008 | Washer, Lock | 16 |
| 2 | 0870-2065-03 | Nut, Hex Flange | 4 |
| 3 | 0821-6003-01 | Screw, Hex Head | 12 |

This page is Intentionally blank.

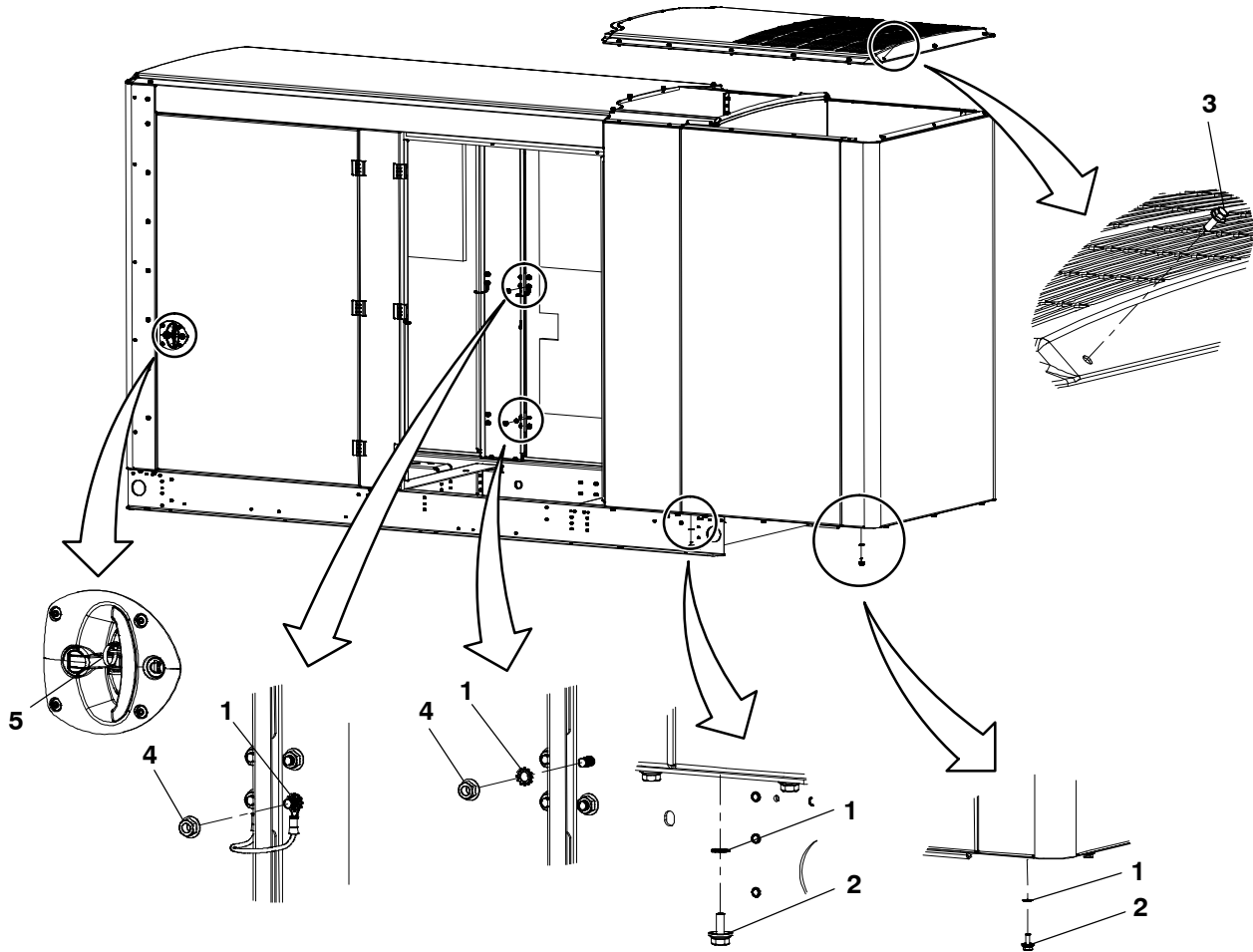
Enclosure (F231) (Spec A Only) (Illustration #1)



Enclosure (F231) (Spec A Only) (Illustration #2)

| Item | Part No. | Description | Qty |
|-------------|-----------------|------------------------|------------|
| 1 | A053P632 | Door, Enclosure | 2 |
| 2 | A054X275 | Door, Enclosure | 2 |
| 3 | A054W670 | Panel, Enclosure | 2 |
| 4 | A053P636 | Cover, Air Outlet | 1 |
| 5 | A053P684 | Roof, Enclosure | 1 |
| 6 | A059Z752 | Panel, Enclosure | 1 |
| 7 | 0853-2008 | Washer, Lock | 35 |
| 8 | 0821-6003-01 | Screw, Hex Head | 11 |
| 9 | A050P483 | Screw, Hex Flange Head | 21 |
| 10 | A046T081 | Screw, Shoulder | 6 |
| 11 | 0870-2065-03 | Nut, Hex Flange | 24 |
| 12 | 0332-1794 | Tie, Cable | 1 |
| 13 | A055U613 | Insulation, Panel | 6 |
| 14 | A055U615 | Insulation, Panel | 2 |
| 15 | A055U617 | Insulation, Panel | 4 |
| 16 | A055U619 | Insulation, Panel | 1 |
| 17 | A056F188 | Latch | 4 |
| 18 | 0406-0782 | Key | 2 |

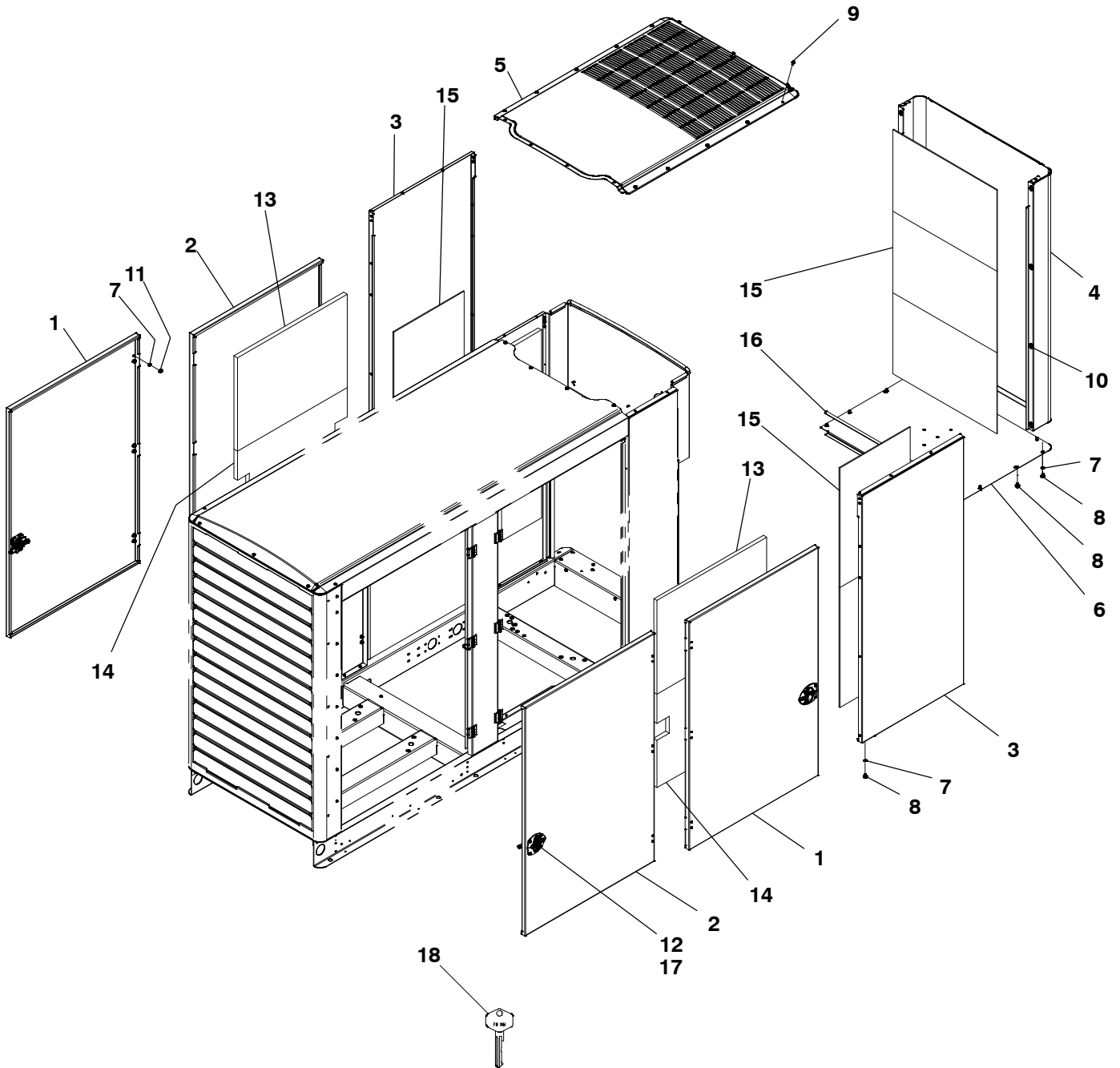
Enclosure (F231) (Spec A Only) (Illustration #2)



| Item | Part No. | Description | Qty |
|------|--------------|------------------------|-----|
| 1 | 0853-2008 | Washer, Lock | 35 |
| 2 | 0821-6003-01 | Screw, Hex Head | 11 |
| 3 | A050P483 | Screw, Hex Flange Head | 21 |
| 4 | 0870-2065-03 | Nut, Hex Flange | 24 |
| 5 | 0332-1794 | Tie, Cable | 1 |

This page is Intentionally blank.

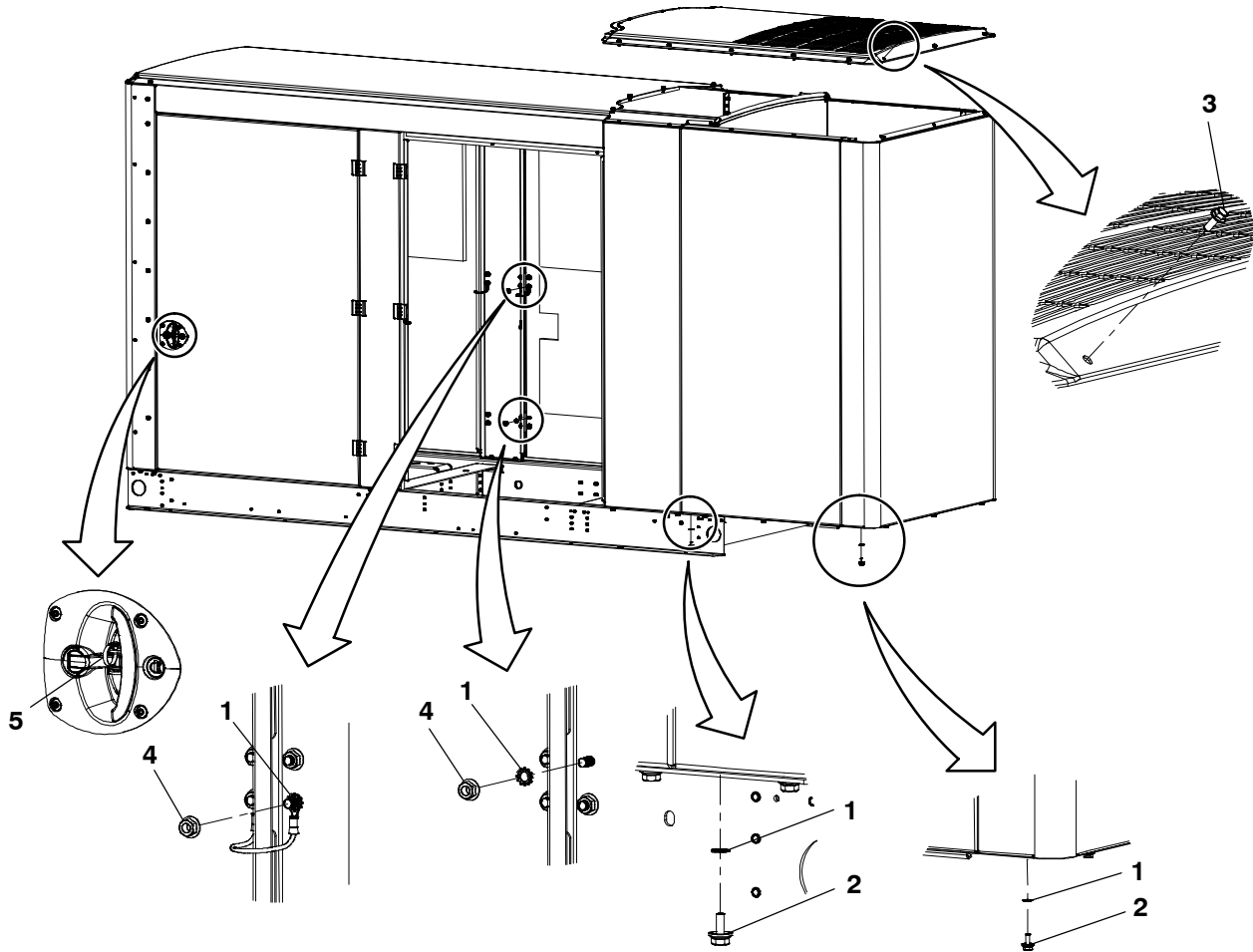
Enclosure (F231) – Sound Level 2 (Begin Spec B) (Illustration #1)



Enclosure (F231) – Sound Level 2 (Begin Spec B) (Illustration #1)

| Item | Part No. | Description | Qty |
|-------------|-----------------|------------------------|------------|
| 1 | A053P632 | Door, Enclosure | 2 |
| 2 | A054X275 | Door, Enclosure | 2 |
| 3 | A062F777 | Panel, Enclosure | 2 |
| 4 | A053P636 | Cover, Air Outlet | 1 |
| 5 | A053P684 | Roof, Enclosure | 1 |
| 6 | A062F775 | Panel, Enclosure | 1 |
| 7 | 0853–2008 | Washer, Lock | 37 |
| 8 | 0821–6003–01 | Screw, Hex Head | 15 |
| 9 | A050P483 | Screw, Hex Flange Head | 21 |
| 10 | A046T081 | Screw, Shoulder | 6 |
| 11 | 0870–2065–03 | Nut, Hex Flange | 24 |
| 12 | 0332–1794 | Tie, Cable | 1 |
| 13 | A055U613 | Insulation, Panel | 2 |
| 14 | A055U615 | Insulation, Panel | 2 |
| 15 | A055V743 | Insulation, Panel | 6 |
| 16 | A062F980 | Seal | 1 |
| 17 | A056F188 | Latch | 4 |
| 18 | 0406–0782 | Key | 2 |

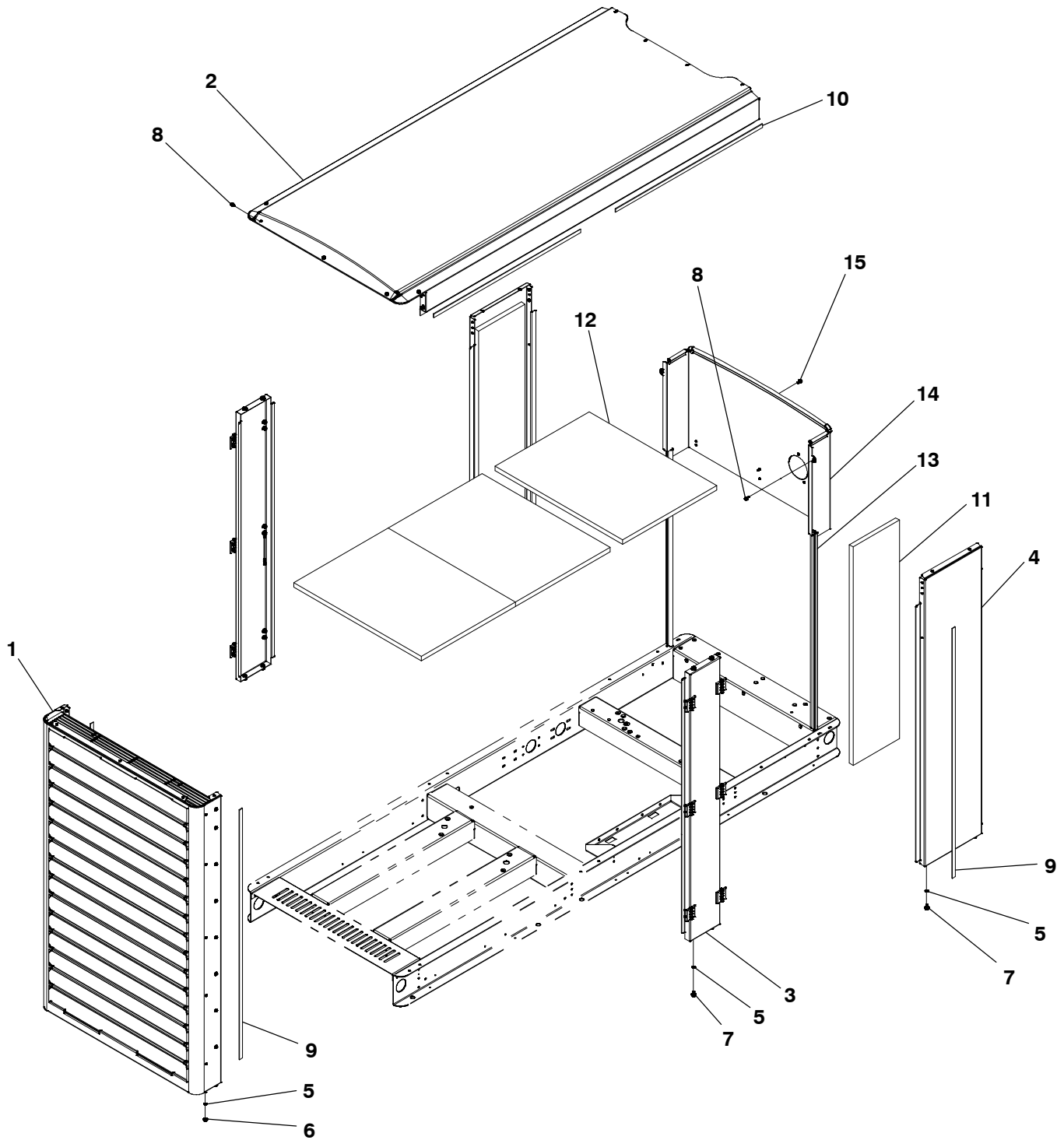
Enclosure (F231) – Sound Level 2 (Begin Spec B) (Illustration #2)



| Item | Part No. | Description | Qty |
|------|--------------|------------------------|-----|
| 1 | 0853-2008 | Washer, Lock | 37 |
| 2 | 0821-6003-01 | Screw, Hex Head | 15 |
| 3 | A050P483 | Screw, Hex Flange Head | 21 |
| 4 | 0870-2065-03 | Nut, Hex Flange | 24 |
| 5 | 0332-1794 | Tie, Cable | 1 |

This page is Intentionally blank.

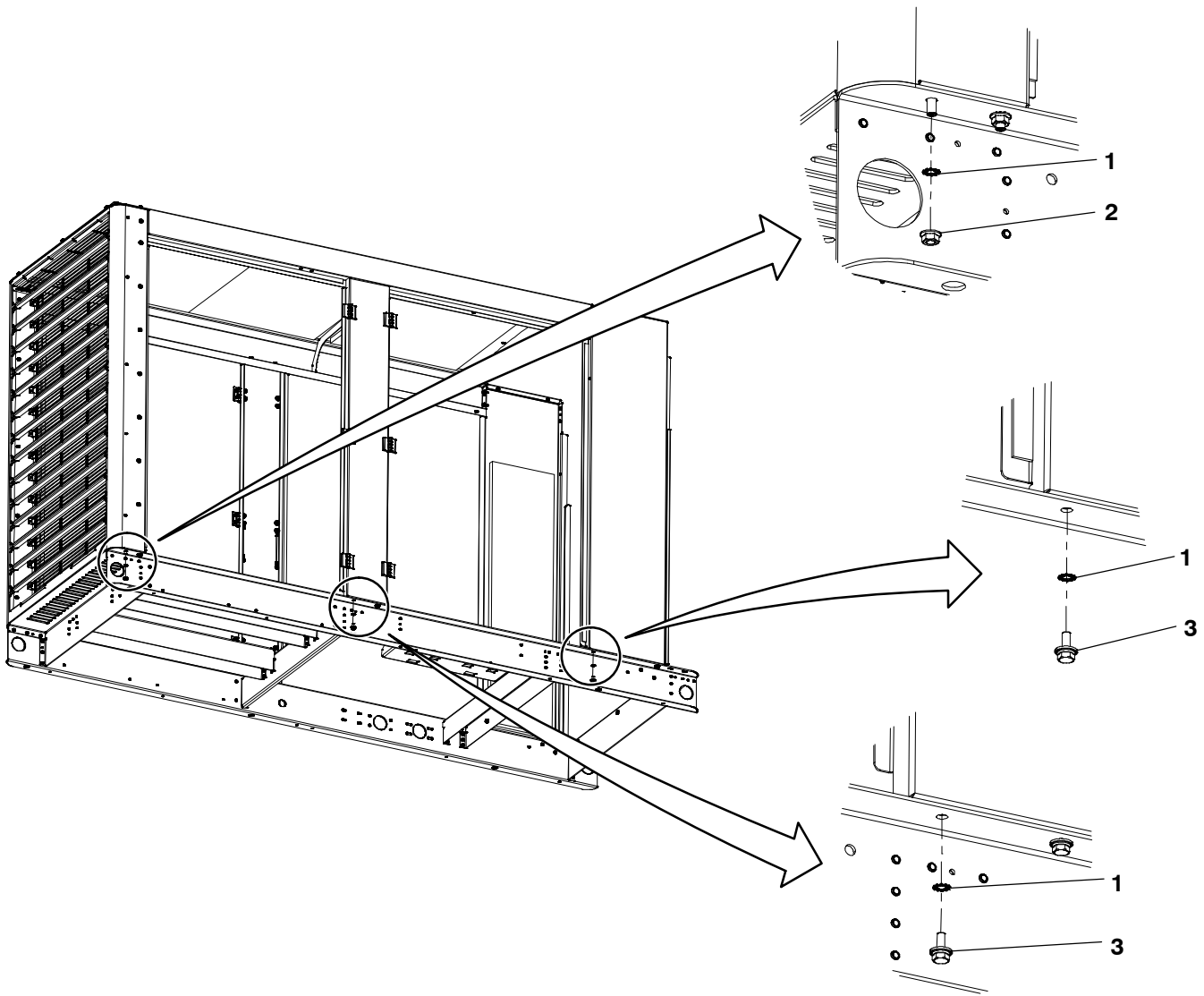
Enclosure (F217) (Spec A Only) (Illustration #1)



Enclosure (F217) (Spec A Only) (Illustration #1)

| Item | Part No. | Description | Qty |
|-------------|-----------------|------------------------|------------|
| 1 | A059K007 | Cover, Air Inlet | 1 |
| 2 | A053Y145 | Roof, Enclosure | 1 |
| 3 | A054W860 | Post, Enclosure | 2 |
| 4 | A054W662 | Panel, Enclosure | 2 |
| 5 | 0853-2008 | Washer, Lock | 16 |
| 6 | 0870-2065-03 | Nut, Hex Flange | 4 |
| 7 | 0821-6003-01 | Screw, Hex Head | 12 |
| 8 | A050P483 | Screw, Hex Flange Head | 15 |
| 9 | A049H458 | Seal, Door | 4 |
| 10 | A049H456 | Seal, Door | 4 |
| 11 | A055U617 | Insulation, Panel | 2 |
| 12 | A055U613 | Insulation, Panel | 3 |
| 13 | A056U407 | Seal | 2 |
| 14 | A054T049 | Panel, Bulkhead | 1 |
| 15 | A054Z943 | Screw, Hex Flange Head | 3 |

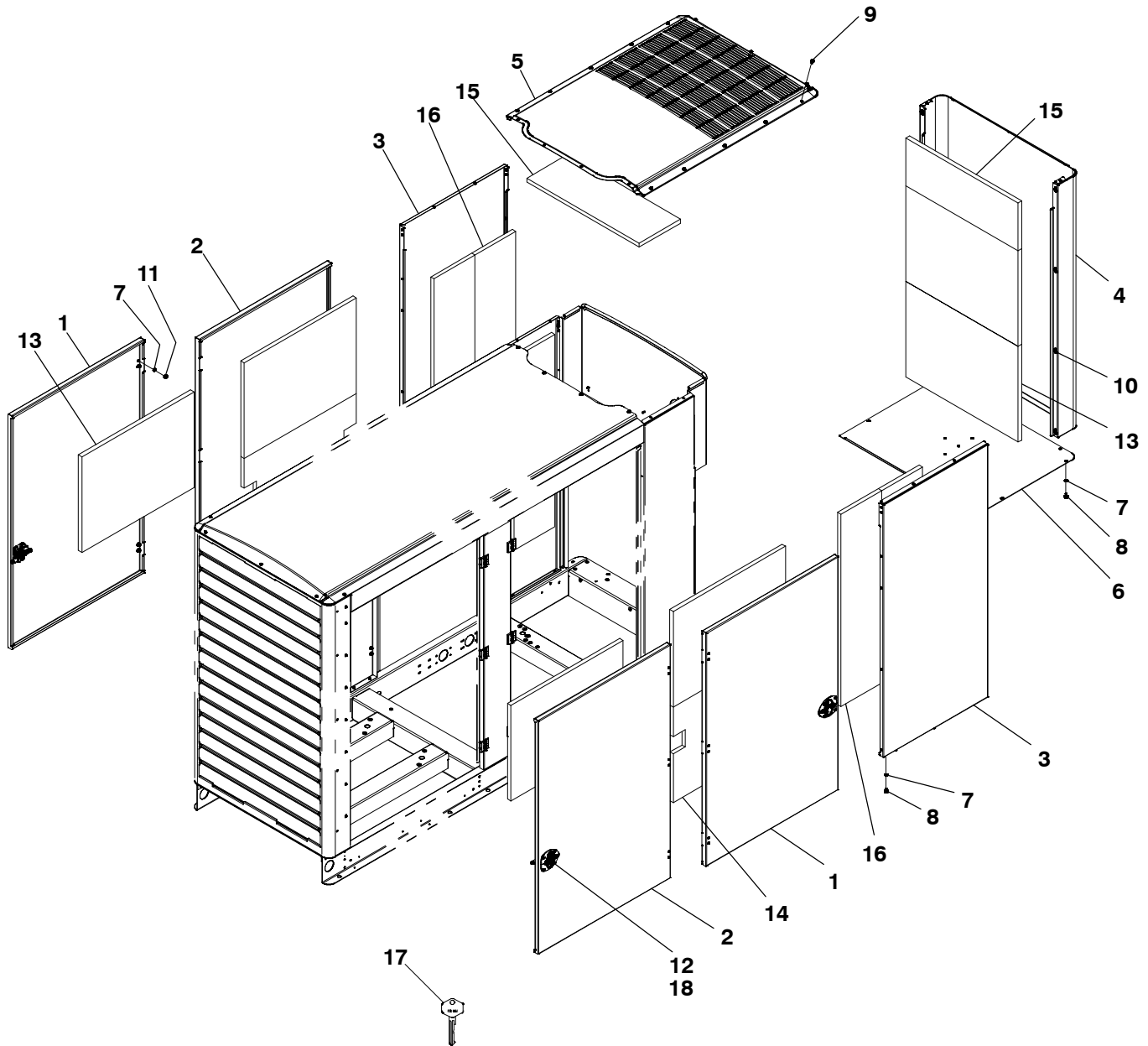
Enclosure (F217) (Spec A Only) (Illustration #2)



| Item | Part No. | Description | Qty |
|------|--------------|-----------------|-----|
| 1 | 0853-2008 | Washer, Lock | 16 |
| 2 | 0870-2065-03 | Nut, Hex Flange | 4 |
| 3 | 0821-6003-01 | Screw, Hex Head | 12 |

This page is Intentionally blank.

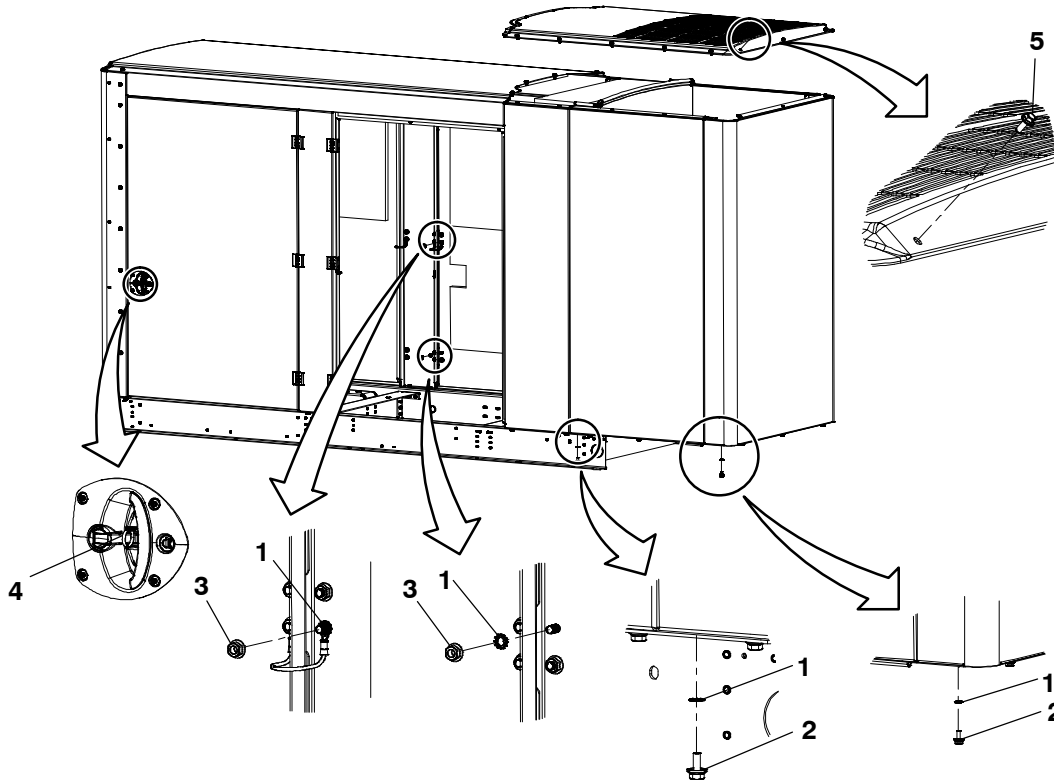
Enclosure (F217) (Spec A Only) (Illustration #3)



Enclosure (F217) (Spec A Only) (Illustration #3)

| Item | Part No. | Description | Qty |
|-------------|-----------------|------------------------|------------|
| 1 | A053P632 | Door, Enclosure | 2 |
| 2 | A054X275 | Door, Enclosure | 2 |
| 3 | A054W670 | Panel, Enclosure | 2 |
| 4 | A053P636 | Cover, Air Outlet | 1 |
| 5 | A053P684 | Roof, Enclosure | 1 |
| 6 | A059Z752 | Panel, Enclosure | 1 |
| 7 | 0853-2008 | Washer, Lock | 35 |
| 8 | 0821-6003-01 | Screw, Hex Head | 11 |
| 9 | A050P483 | Screw, Hex Flange Head | 21 |
| 10 | A046T081 | Screw, Shoulder | 6 |
| 11 | 0870-2065-03 | Nut, Hex Flange | 24 |
| 12 | 0332-1794 | Tie, Cable | 1 |
| 13 | A055U613 | Insulation, Panel | 6 |
| 14 | A055U615 | Insulation, Panel | 2 |
| 15 | A055U619 | Insulation, Panel | 2 |
| 16 | A055U617 | Insulation, Panel | 4 |
| 17 | 0406-0782 | Key | 2 |
| 18 | A050U243 | Latch | 4 |

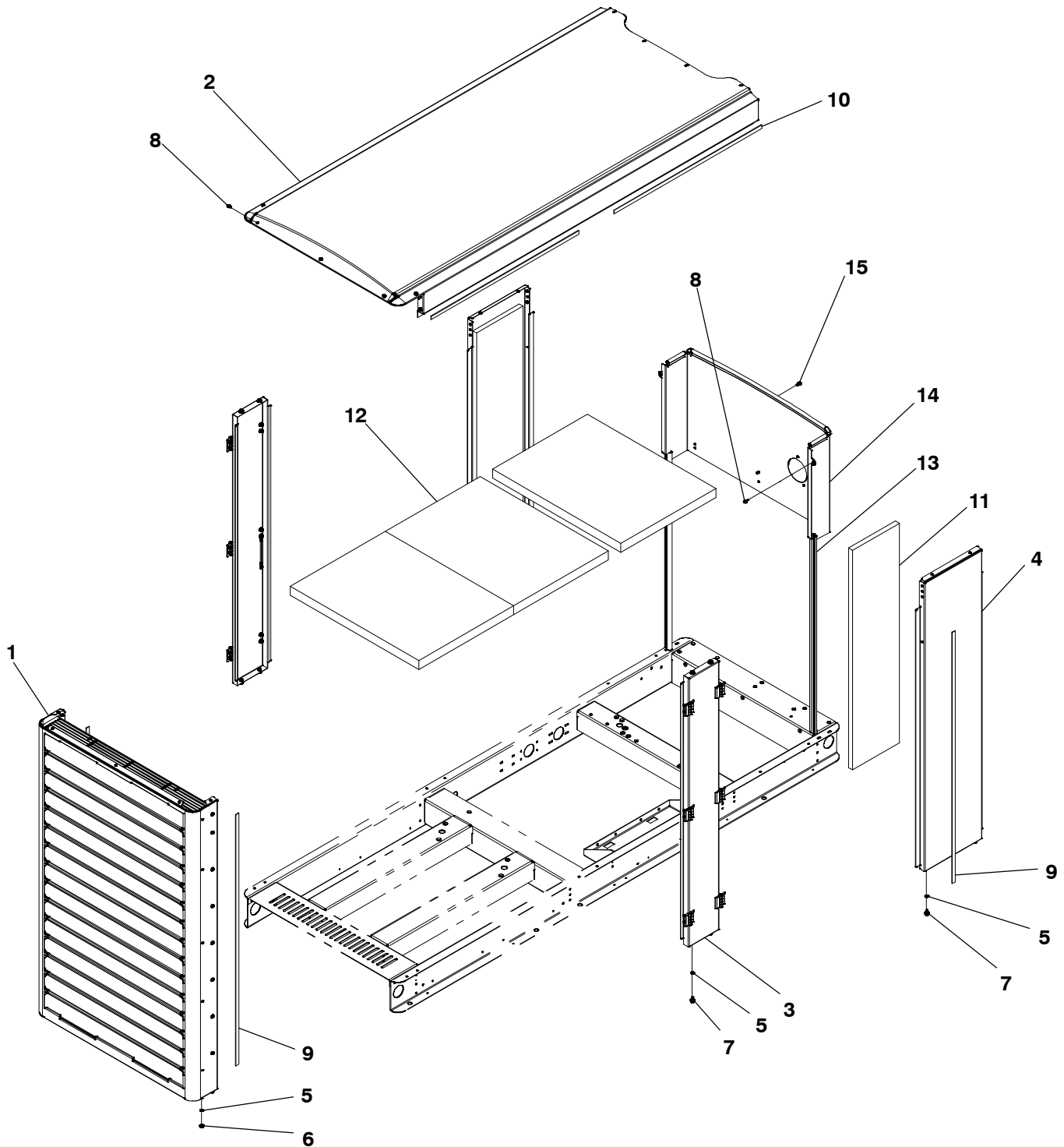
Enclosure (F217) (Spec A Only) (Illustration #4)



| Item | Part No. | Description | Qty |
|------|--------------|------------------------|-----|
| 1 | 0853-2008 | Washer, Lock | 35 |
| 2 | 0821-6003-01 | Screw, Hex Head | 11 |
| 3 | 0870-2065-03 | Nut, Hex Flange | 24 |
| 4 | 0332-1794 | Tie, Cable | 1 |
| 5 | A050P483 | Screw, Hex Flange Head | 21 |

This page is Intentionally blank.

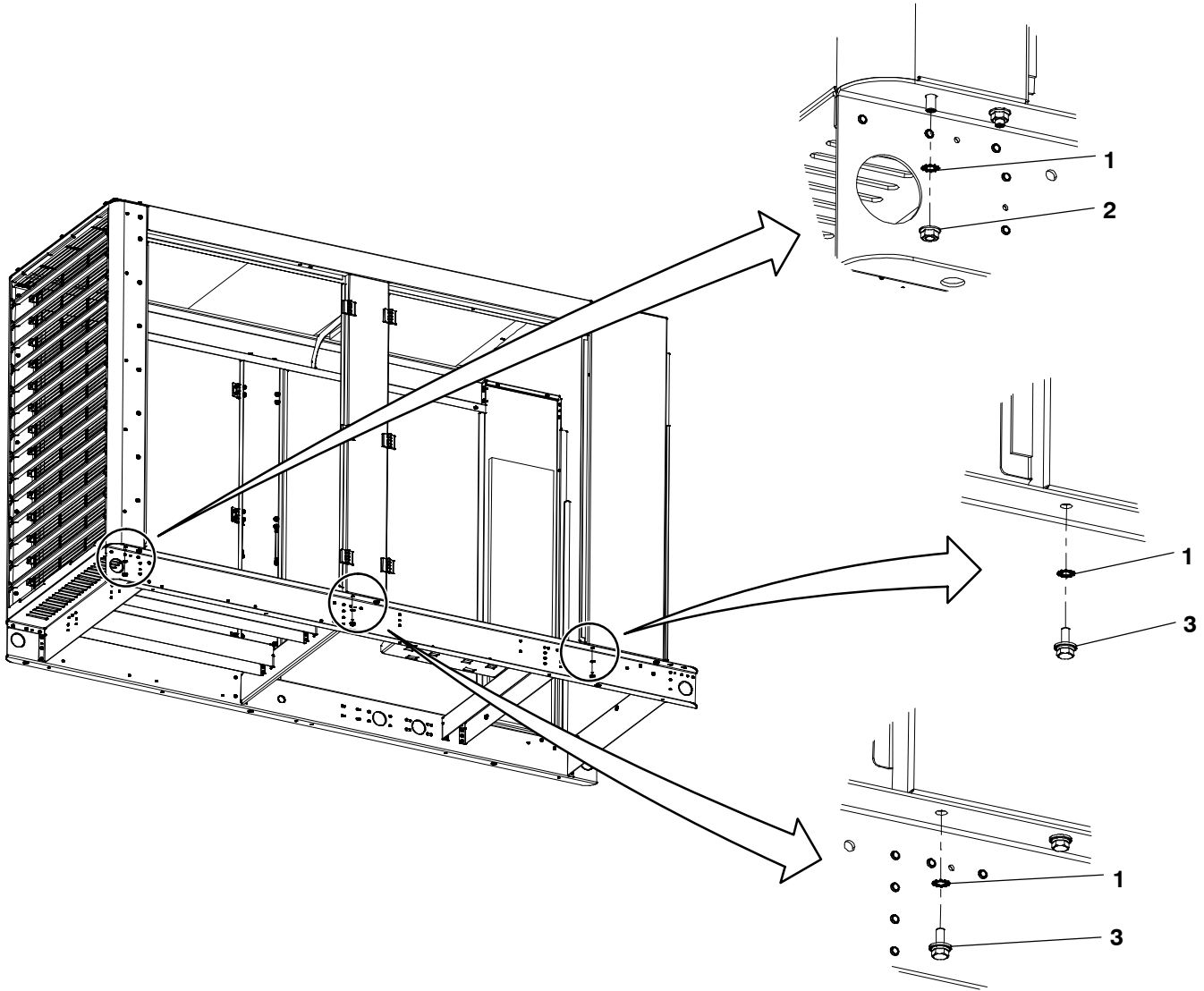
Enclosure (F217) – Sound Level 2 (Begin Spec B) (Illustration #1)



Enclosure (F217) – Sound Level 2 (Begin Spec B) (Illustration #1)

| Item | Part No. | Description | Qty |
|-------------|-----------------|------------------------|------------|
| 1 | A059K007 | Cover, Air Inlet | 1 |
| 2 | A053Y145 | Roof, Enclosure | 1 |
| 3 | A054W860 | Post, Enclosure | 2 |
| 4 | A054W662 | Panel, Enclosure | 2 |
| 5 | 0853–2008 | Washer, Lock | 16 |
| 6 | 0870–2065–03 | Nut, Hex Flange | 4 |
| 7 | 0821–6003–01 | Screw, Hex Head | 12 |
| 8 | A050P483 | Screw, Hex Flange Head | 15 |
| 9 | A049H458 | Seal, Door | 4 |
| 10 | A049H456 | Seal, Door | 4 |
| 11 | A055U617 | Insulation, Panel | 2 |
| 12 | A062J975 | Insulation, Panel | 3 |
| 13 | A056U407 | Seal | 2 |
| 14 | A054T049 | Panel, Bulkhead | 1 |
| 15 | A045Z943 | Screw, Hex Flange Head | 3 |

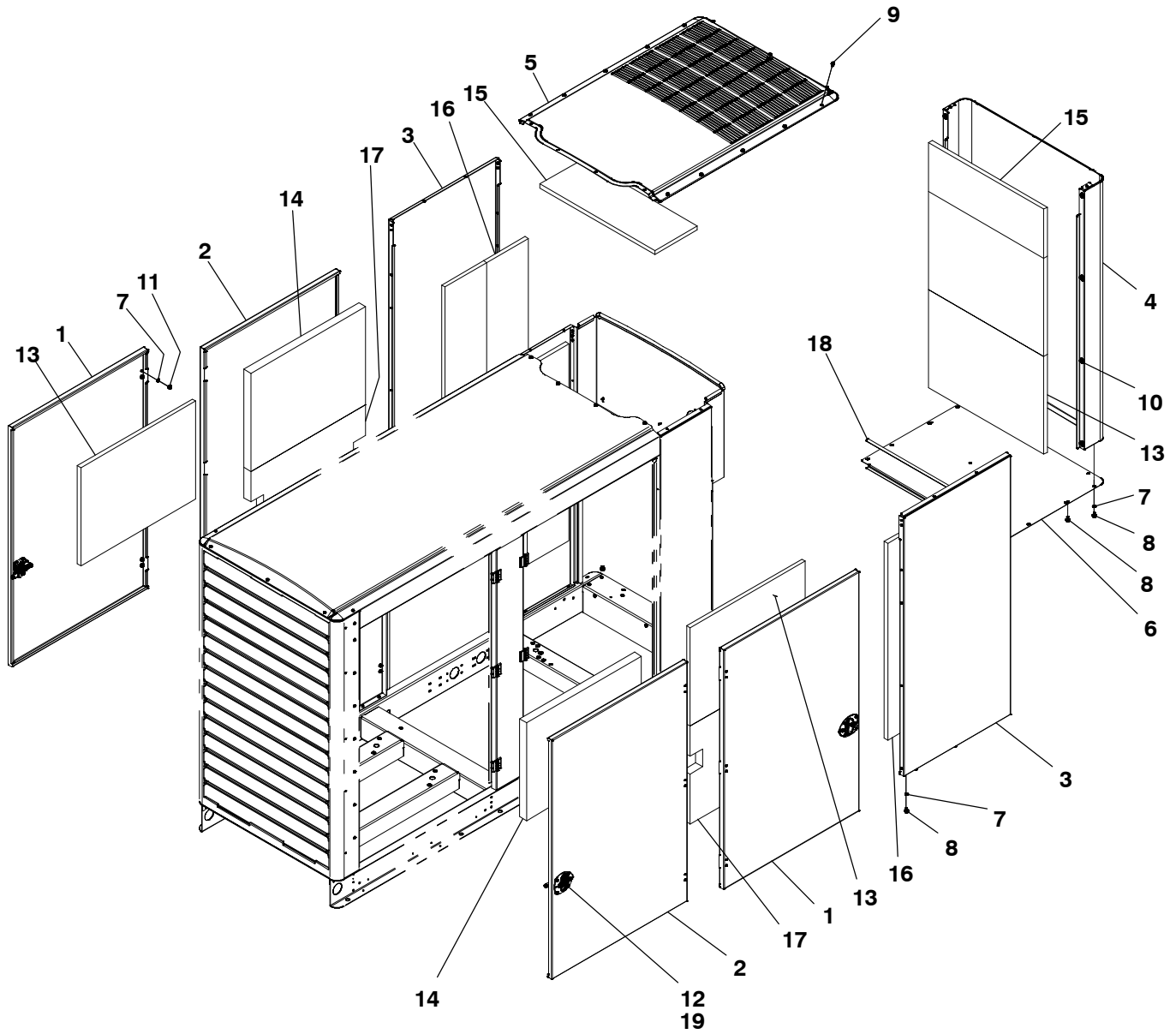
Enclosure (F217) – Sound Level 2 (Begin Spec B) (Illustration #2)



| Item | Part No. | Description | Qty |
|------|--------------|-----------------|-----|
| 1 | 0853-2008 | Washer, Lock | 16 |
| 2 | 0870-2065-03 | Nut, Hex Flange | 4 |
| 3 | 0821-6003-01 | Screw, Hex Head | 12 |

This page is Intentionally blank.

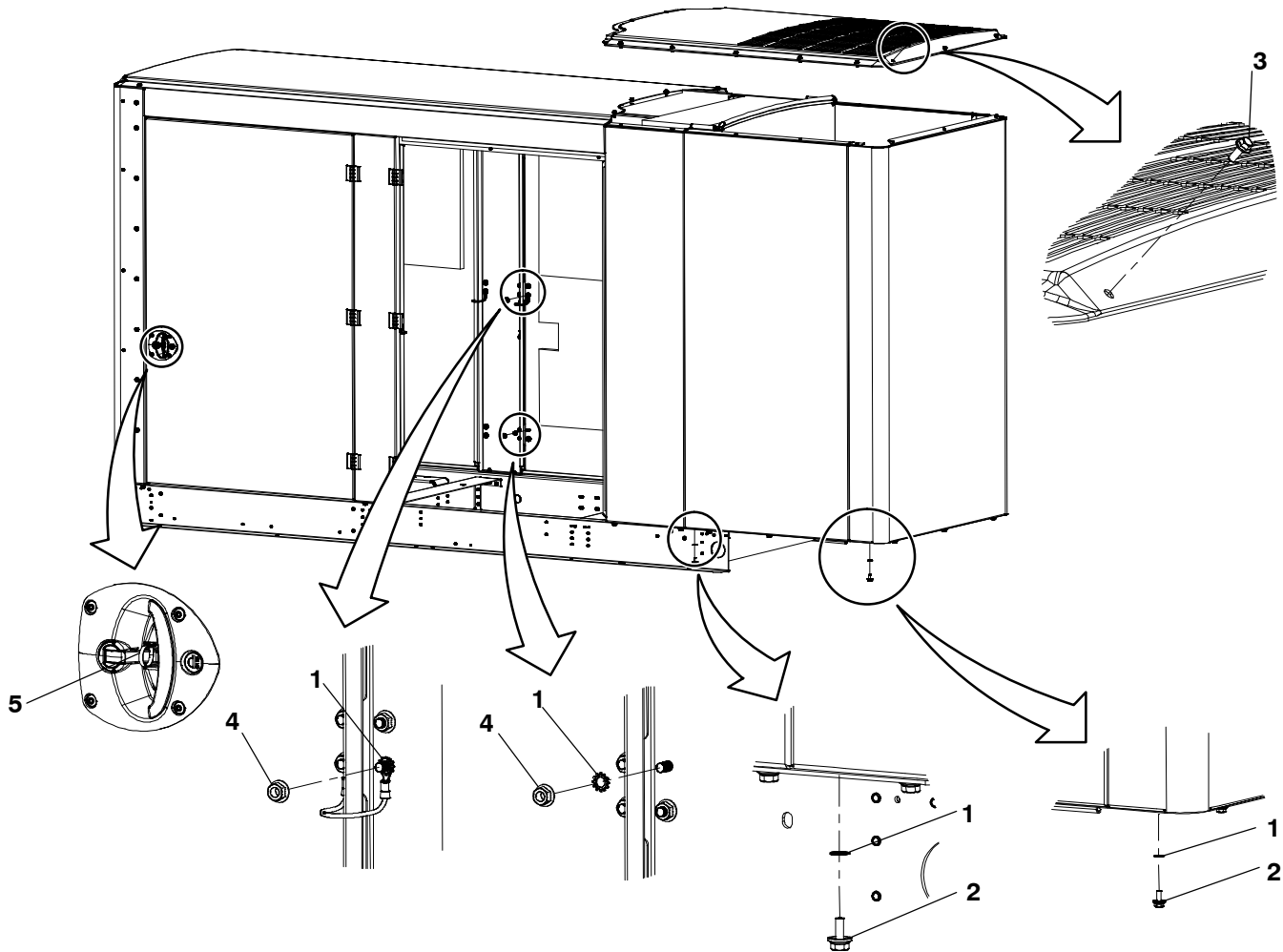
Enclosure (F217) – Sound Level 2 (Begin Spec B) (Illustration #3)



Enclosure (F217) – Sound Level 2 (Begin Spec B) (Illustration #3)

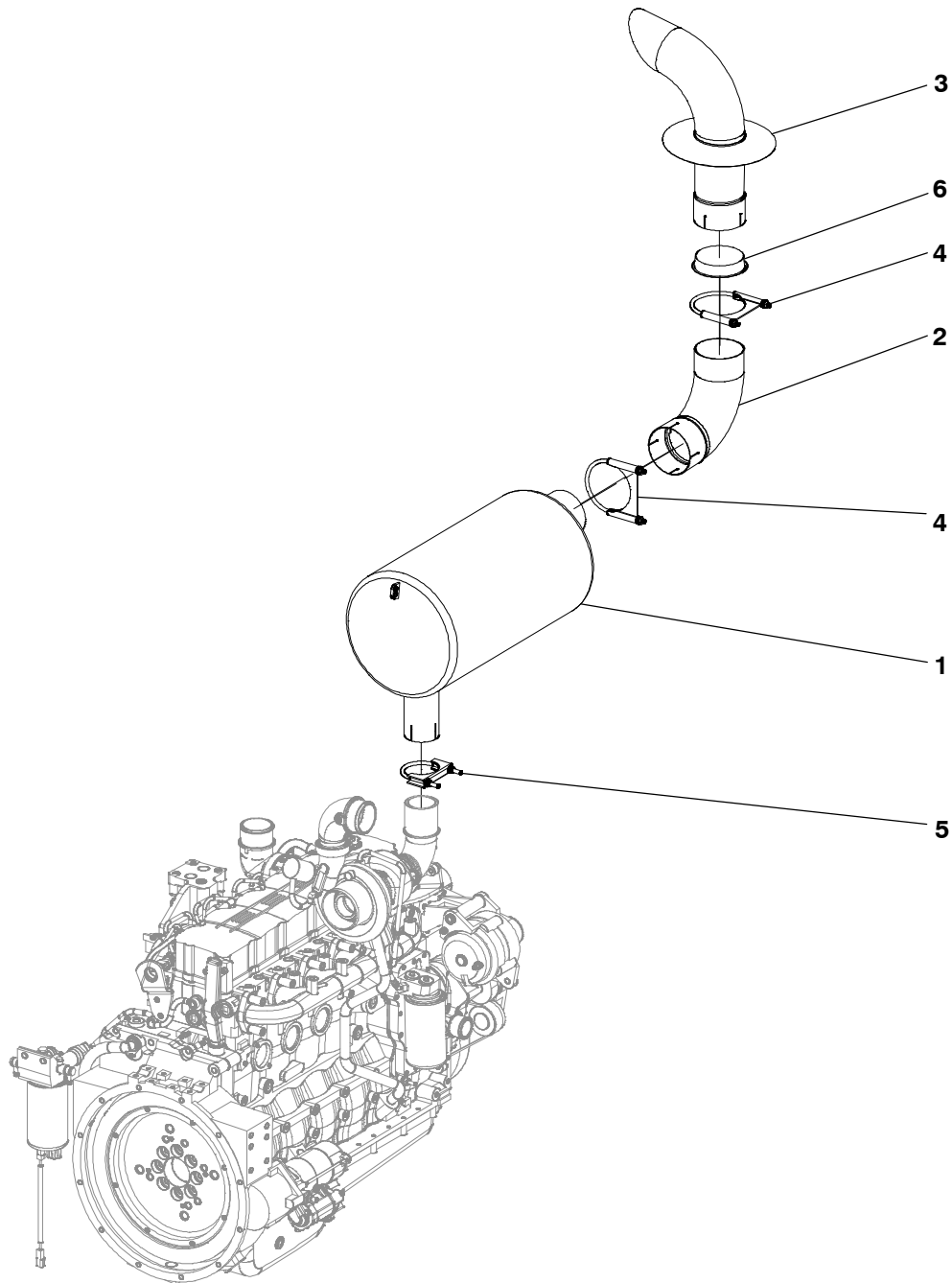
| Item | Part No. | Description | Qty |
|-------------|-----------------|----------------------------------|------------|
| 1 | A053P632 | Door, Enclosure (Includes Latch) | 2 |
| 2 | A054X275 | Door, Enclosure (Includes Latch) | 2 |
| 3 | A062F777 | Panel, Enclosure | 2 |
| 4 | A053P636 | Cover, Air Inlet | 1 |
| 5 | A053P684 | Roof, Enclosure | 1 |
| 6 | A062F775 | Panel, Enclosure | 1 |
| 7 | 0853–2008 | Washer, Lock | 37 |
| 8 | 0821–6003–01 | Screw, Hex Head | 15 |
| 9 | A050P483 | Screw, Hex Flange Head | 21 |
| 10 | A046T081 | Screw, Shoulder | 6 |
| 11 | 0870–2065–03 | Nut, Hex Flange | 24 |
| 12 | 0332–1794 | Tie, Cable | 1 |
| 13 | A055U613 | Insulation, Panel | 4 |
| 14 | A062J975 | Insulation, Panel | 2 |
| 15 | A055U619 | Insulation, Panel | 2 |
| 16 | A055U617 | Insulation, Panel | 4 |
| 17 | A062K608 | Insulation, Panel | 2 |
| 18 | A062F980 | Seal | 1 |
| 19 | A050U243 | Latch | 4 |

Enclosure (F217) – Sound Level 2 (Begin Spec B) (Illustration #4)



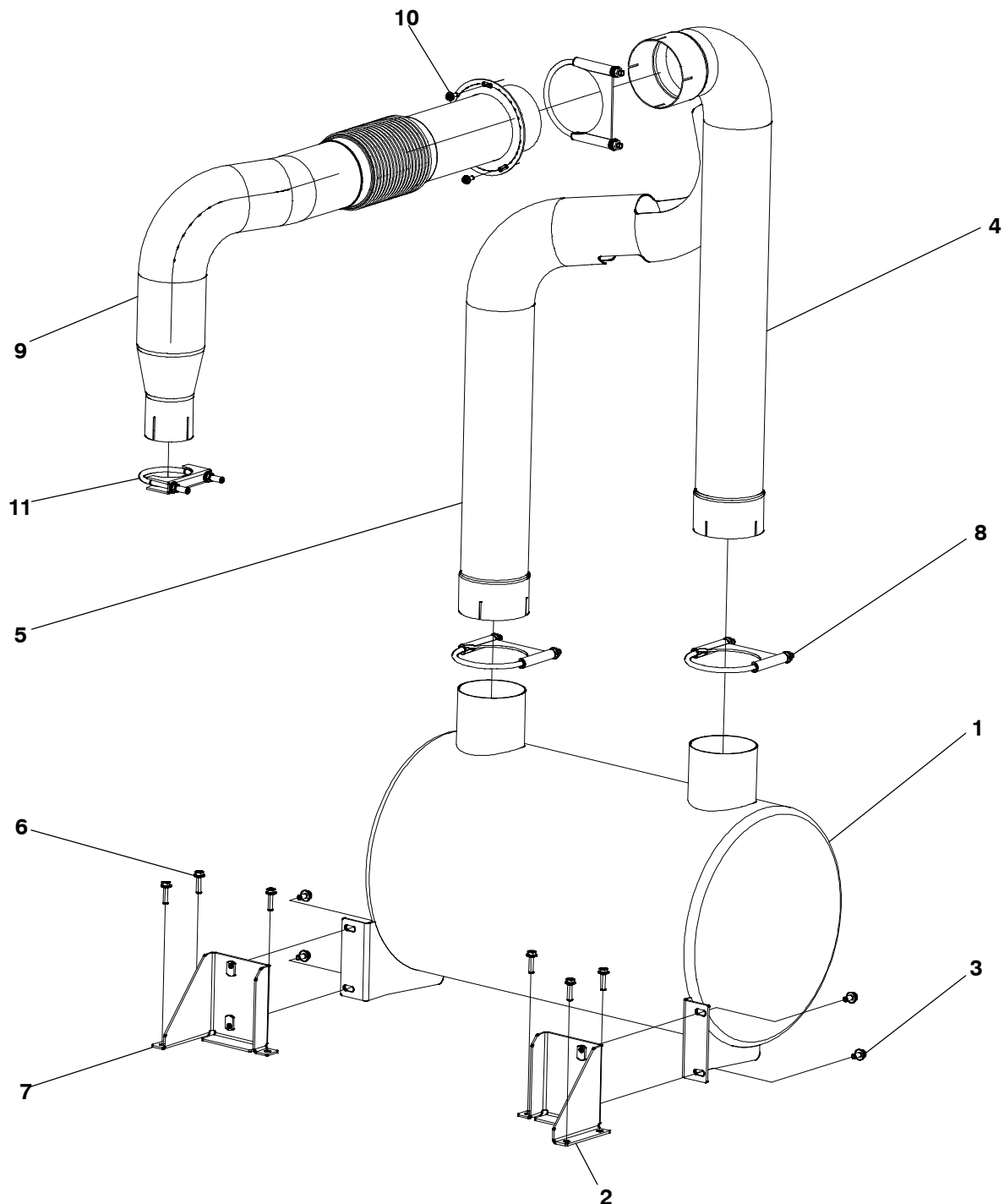
| Item | Part No. | Description | Qty |
|------|--------------|------------------------|-----|
| 1 | 0853-2008 | Washer, Lock | 37 |
| 2 | 0821-6003-01 | Screw, Hex Head | 15 |
| 3 | A050P483 | Screw, Hex Flange Head | 21 |
| 4 | 0870-2065-03 | Nut, Hex Flange | 24 |
| 5 | 0332-1794 | Tie, Cable | 1 |

Silencer (F216)



| Item | Part No. | Description | Qty |
|------|-----------|-------------------|-----|
| 1 | A061V687 | Silencer, Exhaust | 1 |
| 2 | A054F937 | Pipe, Exhaust | 1 |
| 3 | A053S162 | Pipe, Exhaust | 1 |
| 4 | 0155-3372 | Clamp, Exhaust | 2 |
| 5 | 0155-2175 | Clamp, Exhaust | 1 |
| 6 | A057R073 | Plug | 1 |

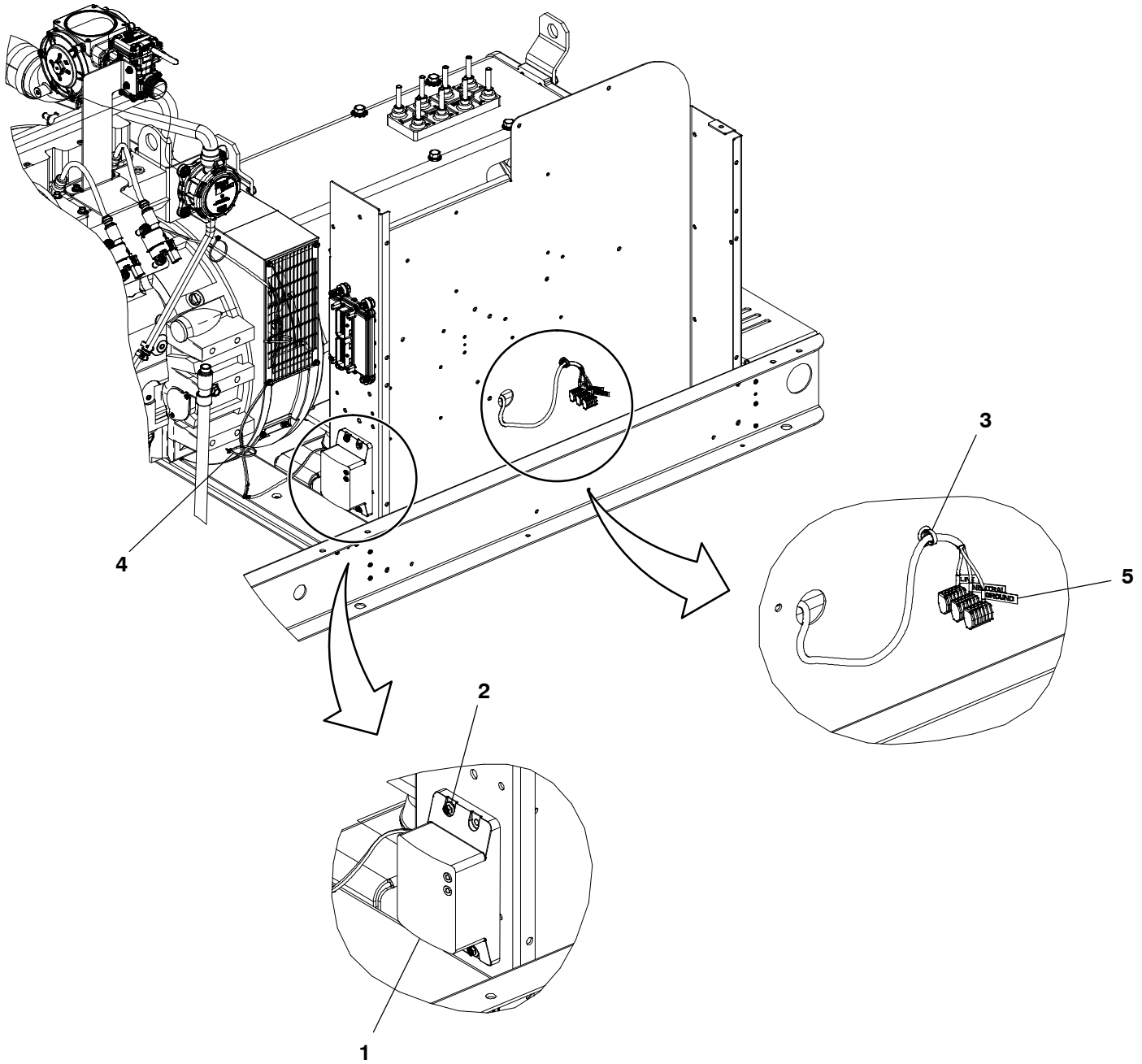
Silencer (F231, F217)



Silencer (F231, F217)

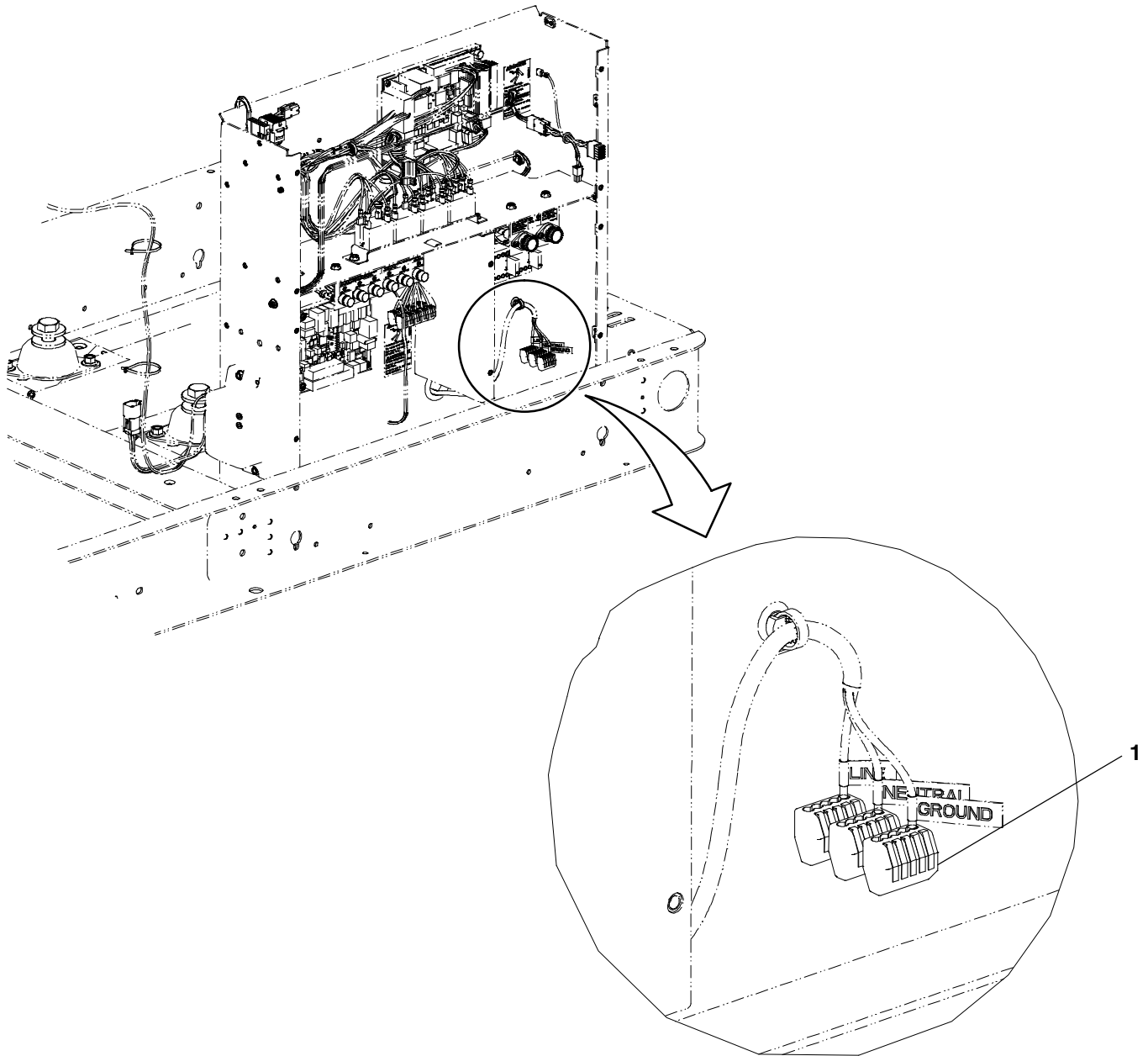
| Item | Part No. | Description | Qty |
|------|--------------|------------------------|-----|
| 1 | A053S148 | Silencer, Exhaust | 1 |
| 2 | A049Z459 | Bracket, Silencer | 1 |
| 3 | 0800-6524-01 | Screw, Hex Flange Head | 4 |
| 4 | A053S154 | Pipe, Exhaust | 1 |
| 5 | A058Y432 | Pipe, Exhaust | 1 |
| 6 | 0815-0781 | Screw, Hollow Head | 6 |
| 7 | A049Z457 | Bracket, Silencer | 1 |
| 8 | 0155-3372 | Clamp, Exhaust | 3 |
| 9 | A055N104 | Pipe, Exhaust | 1 |
| 10 | 0815-0857-02 | Screw, Hex Head | 2 |
| 11 | 0155-2175 | Clamp, Exhaust | 1 |

Battery Charger



| Item | Part No. | Description | Qty |
|------|--------------|------------------|-----|
| 1 | A056L369 | Charger, Battery | 1 |
| 2 | 0815-0857-03 | Screw, Hex Head | 2 |
| 3 | A044D694 | Tie, Cable | 1 |
| 4 | 0332-1794 | Tie, Cable | 4 |
| 5 | A046G477 | Label, Marking | 1 |

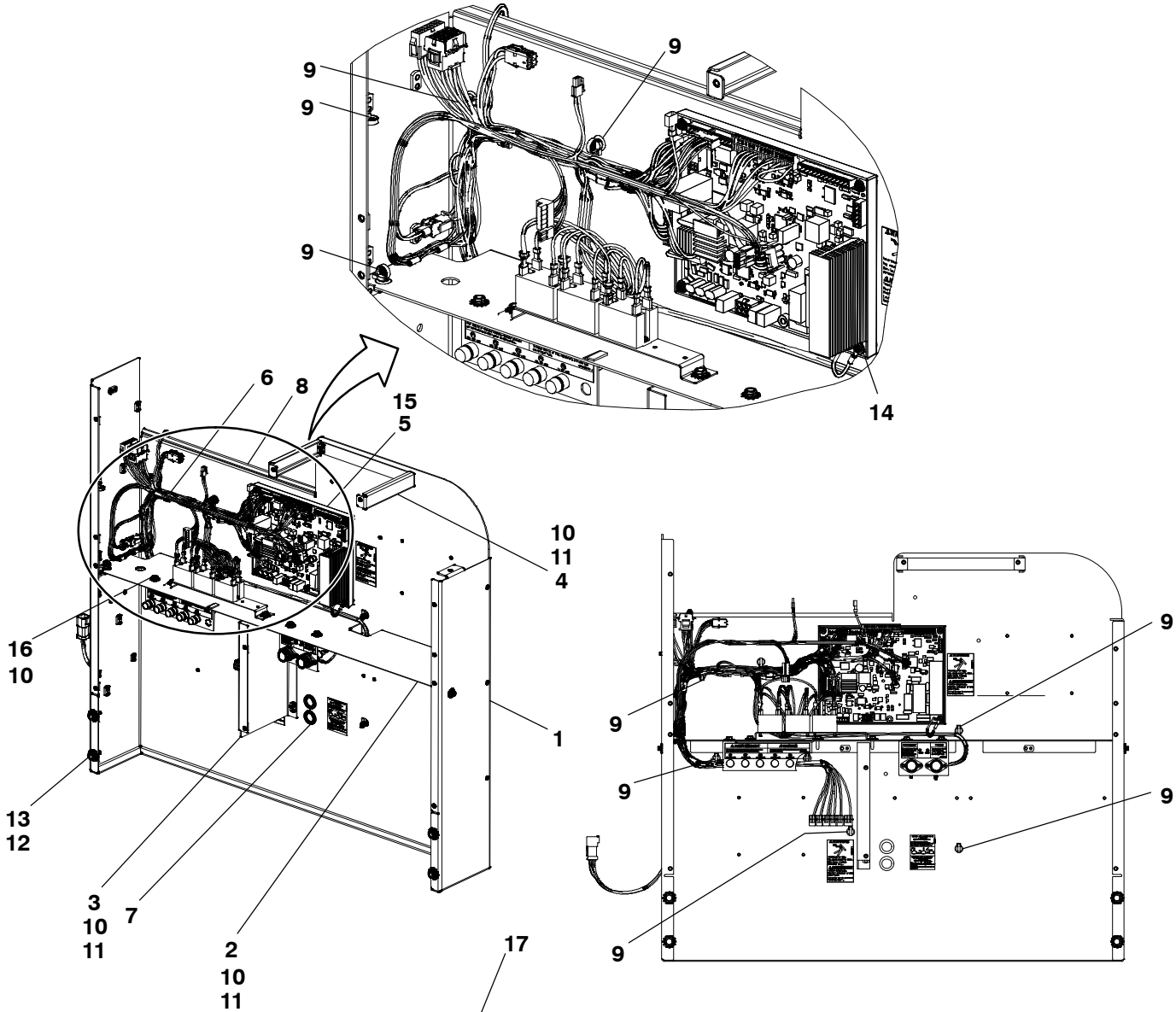
Terminal Block – Battery Charger



| Item | Part No. | Description | Qty |
|------|----------|---------------------------|-----|
| 1 | A046D267 | Connector, Terminal Block | 3 |

Control

Control Box (2300) – 12V

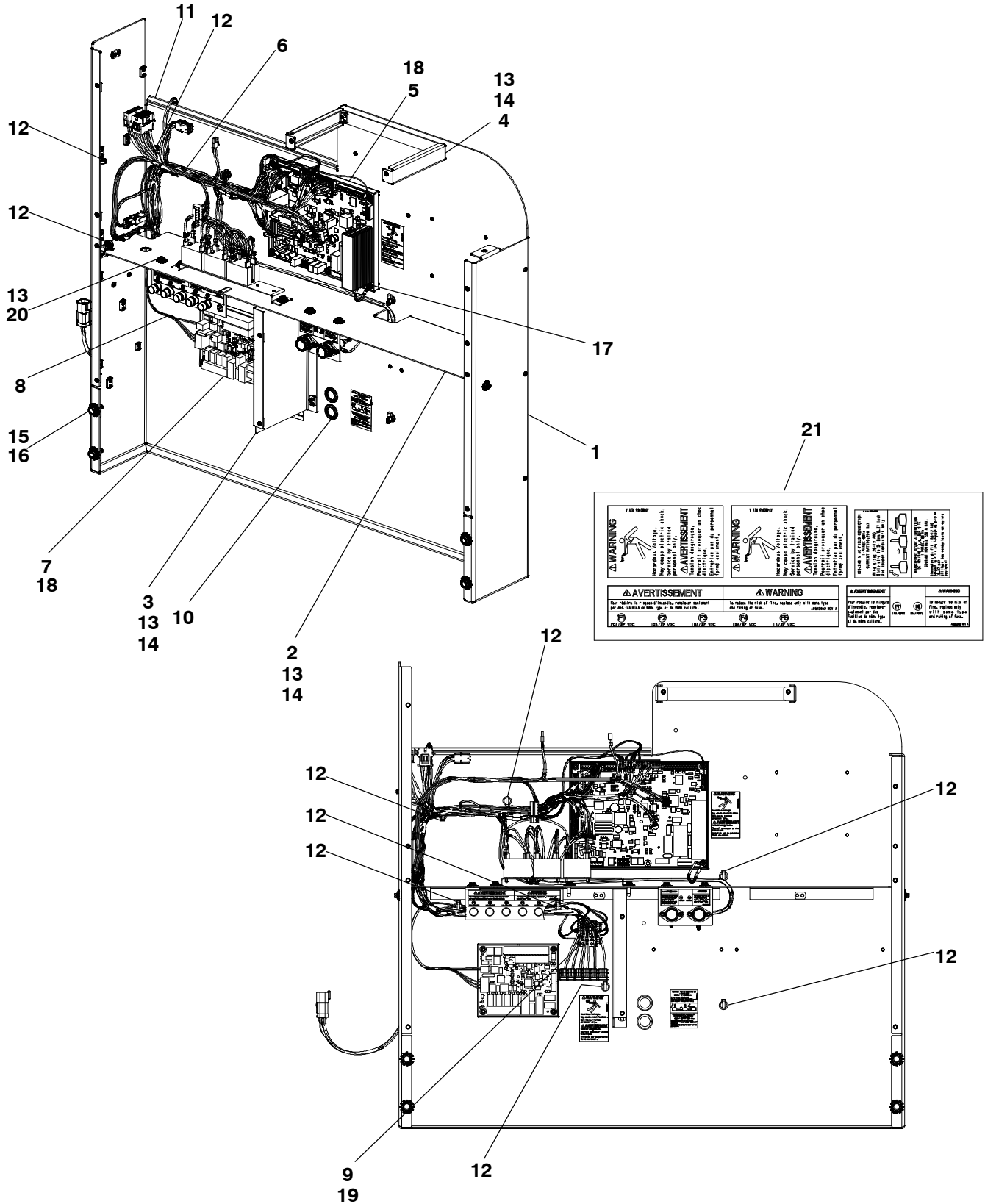


| | | |
|--|--|--|
| <p>⚠ WARNING</p> <p>LES MAINS</p> <p>Ne pas ouvrir le capot, le couvercle ou le couvercle de la batterie sans avoir débranché le câble négatif de la batterie.</p> <p>⚠ AVERTISSEMENT</p> <p>N'ouvrez pas le capot, le couvercle ou le couvercle de la batterie sans avoir débranché le câble négatif de la batterie.</p> | <p>⚠ WARNING</p> <p>LES MAINS</p> <p>Ne pas ouvrir le capot, le couvercle ou le couvercle de la batterie sans avoir débranché le câble négatif de la batterie.</p> <p>⚠ AVERTISSEMENT</p> <p>N'ouvrez pas le capot, le couvercle ou le couvercle de la batterie sans avoir débranché le câble négatif de la batterie.</p> | <p>⚠ AVERTISSEMENT</p> <p>Ne pas ouvrir le capot, le couvercle ou le couvercle de la batterie sans avoir débranché le câble négatif de la batterie.</p> <p>⚠ AVERTISSEMENT</p> <p>N'ouvrez pas le capot, le couvercle ou le couvercle de la batterie sans avoir débranché le câble négatif de la batterie.</p> |
| <p>⚠ AVERTISSEMENT</p> <p>Ne pas ouvrir le capot, le couvercle ou le couvercle de la batterie sans avoir débranché le câble négatif de la batterie.</p> | <p>⚠ WARNING</p> <p>To reduce the risk of fire, replace only with same type and rating of fuse.</p> | <p>⚠ AVERTISSEMENT</p> <p>Ne pas ouvrir le capot, le couvercle ou le couvercle de la batterie sans avoir débranché le câble négatif de la batterie.</p> |

Control Box (2300) – 12V

| Item | Part No. | Description | Qty |
|------|--------------|--|-----|
| 1 | A059N997 | Box, Control | 1 |
| 2 | A054M423 | Panel, Control | 1 |
| 3 | A059P185 | Panel, Control Box | 1 |
| 4 | A055J904 | Brace, Panel | 1 |
| 5 | A053T067 | Card, Control | 1 |
| 6 | A053R492 | Harness, Generator Electrical | 1 |
| 7 | 0508-1122 | Grommet | 2 |
| 8 | A054P821 | Edging | 1 |
| 9 | A044D694 | Tie, Cable | 10 |
| 10 | 0856-0006 | Washer, Lock | 17 |
| 11 | 0815-0857-02 | Screw, Hex Head | 10 |
| 12 | 0856-0010 | Washer, Lock | 4 |
| 13 | 0800-6524-02 | Screw, Hex Flange Head | 4 |
| 14 | 0853-2006 | Washer, Lock | 1 |
| 15 | 0819-1165-09 | Screw, Pan Head | 4 |
| 16 | 0800-6399 | Screw, Hex Head | 7 |
| 17 | A056V883 | Label, Package (Includes the Following Labels) | 1 |
| | A048G965 | Label, Warning | 2 |
| | A060H959 | Label, Information | 1 |
| | A054D953 | Label, Marker | 1 |
| | A050J260 | Label, Marker | 1 |

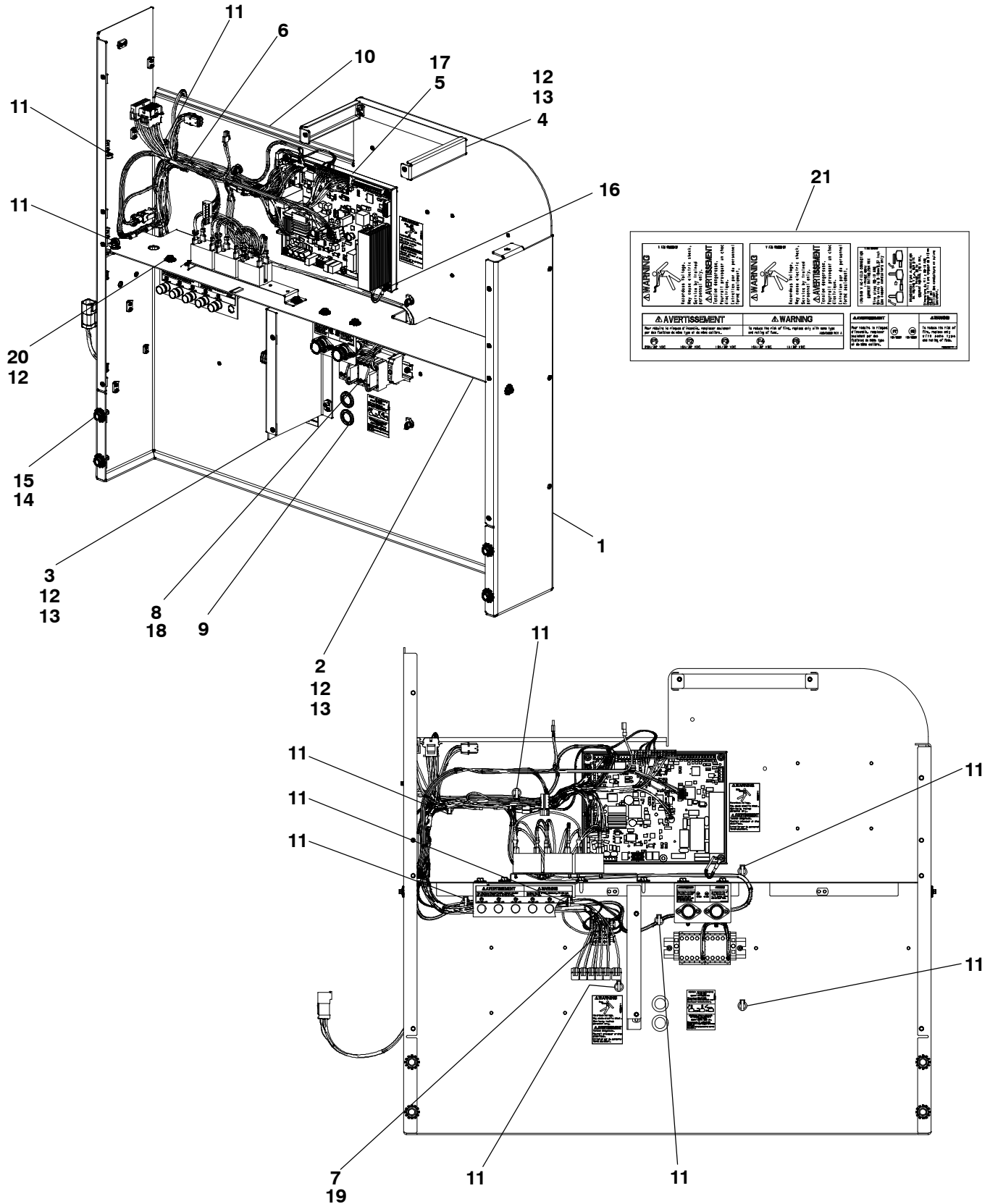
Control Box (2300 and AUX 101) – 12V



Control Box (2300 and AUX 101) – 12V

| Item | Part No. | Description | Qty |
|------|--------------|--|-----|
| 1 | A059N997 | Box, Control | 1 |
| 2 | A054M423 | Panel, Control | 1 |
| 3 | A059P185 | Panel, Control Box | 1 |
| 4 | A055J904 | Brace, Panel | 1 |
| 5 | A053T067 | Card, Control | 1 |
| 6 | A053R492 | Harness, Generator Electrical | 1 |
| 7 | 0327-1536 | Card, Input Output | 1 |
| 8 | A043A230 | Harness, Circuit Card | 1 |
| 9 | A043B108 | Harness, Generator Electrical | 1 |
| 10 | 0508-1122 | Grommet | 2 |
| 11 | A054P821 | Edging | 1 |
| 12 | A044D694 | Tie, Cable | 10 |
| 13 | 0856-0006 | Washer, Lock | 17 |
| 14 | 0815-0857-02 | Screw, Hex Head | 10 |
| 15 | 0856-0010 | Washer, Lock | 4 |
| 16 | 0800-6524-02 | Screw, Hex Flange Head | 4 |
| 17 | 0853-2006 | Washer, Lock | 1 |
| 18 | 0819-1165-09 | Screw, Pan Head | 8 |
| 19 | A043E872 | Screw, Pan Head | 1 |
| 20 | 0800-6399 | Screw, Hex Head | 7 |
| 21 | A056V883 | Label, Package (Includes the Following Labels) | 1 |
| | A048G965 | Label, Warning | 2 |
| | A060H959 | Label, Information | 1 |
| | A054D953 | Label, Marker | 1 |
| | A050J260 | Label, Marker | 1 |

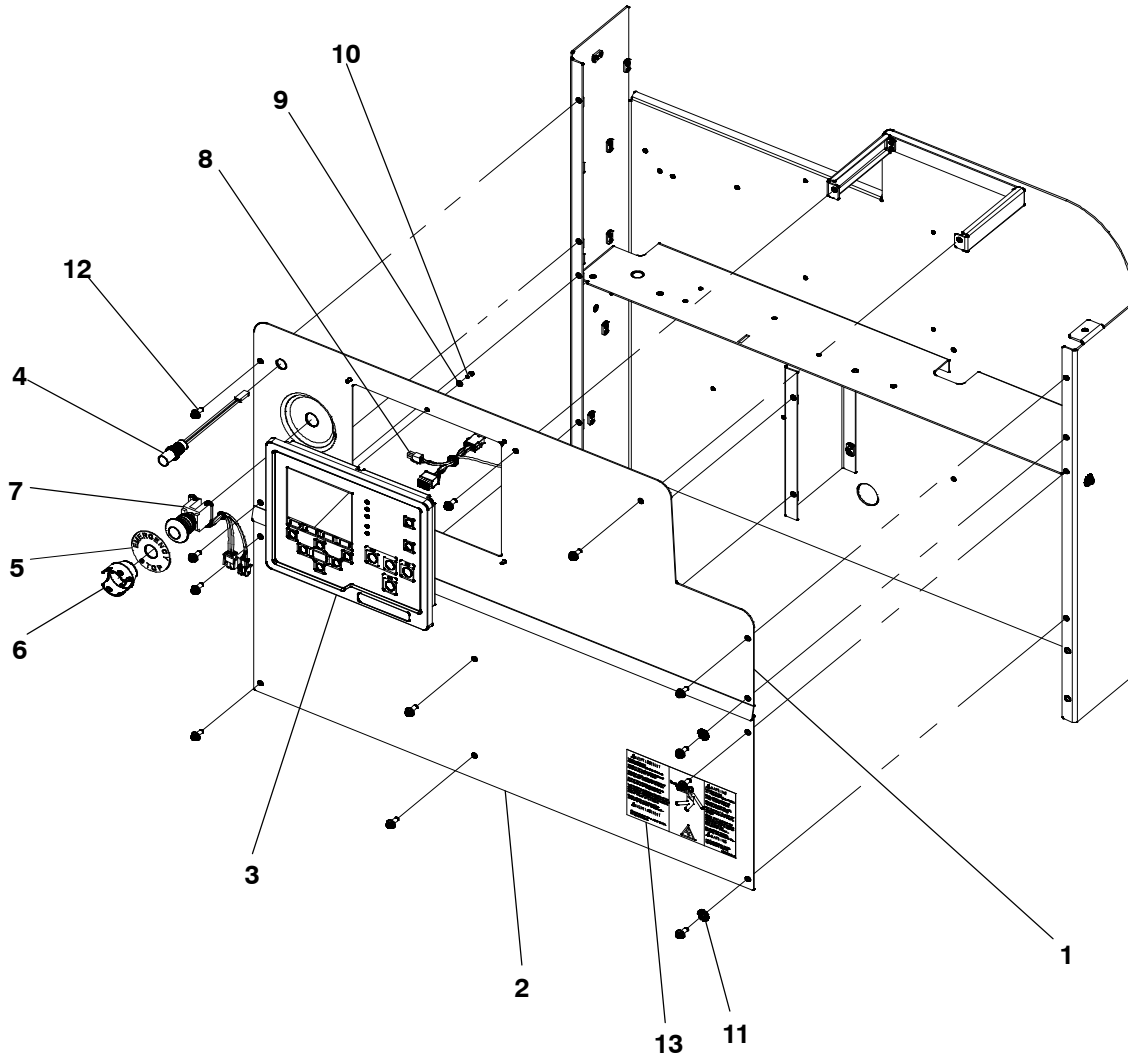
Control Box (2300 and Customer Relay) – 12V



Control Box (2300 and Customer Relay) – 12V

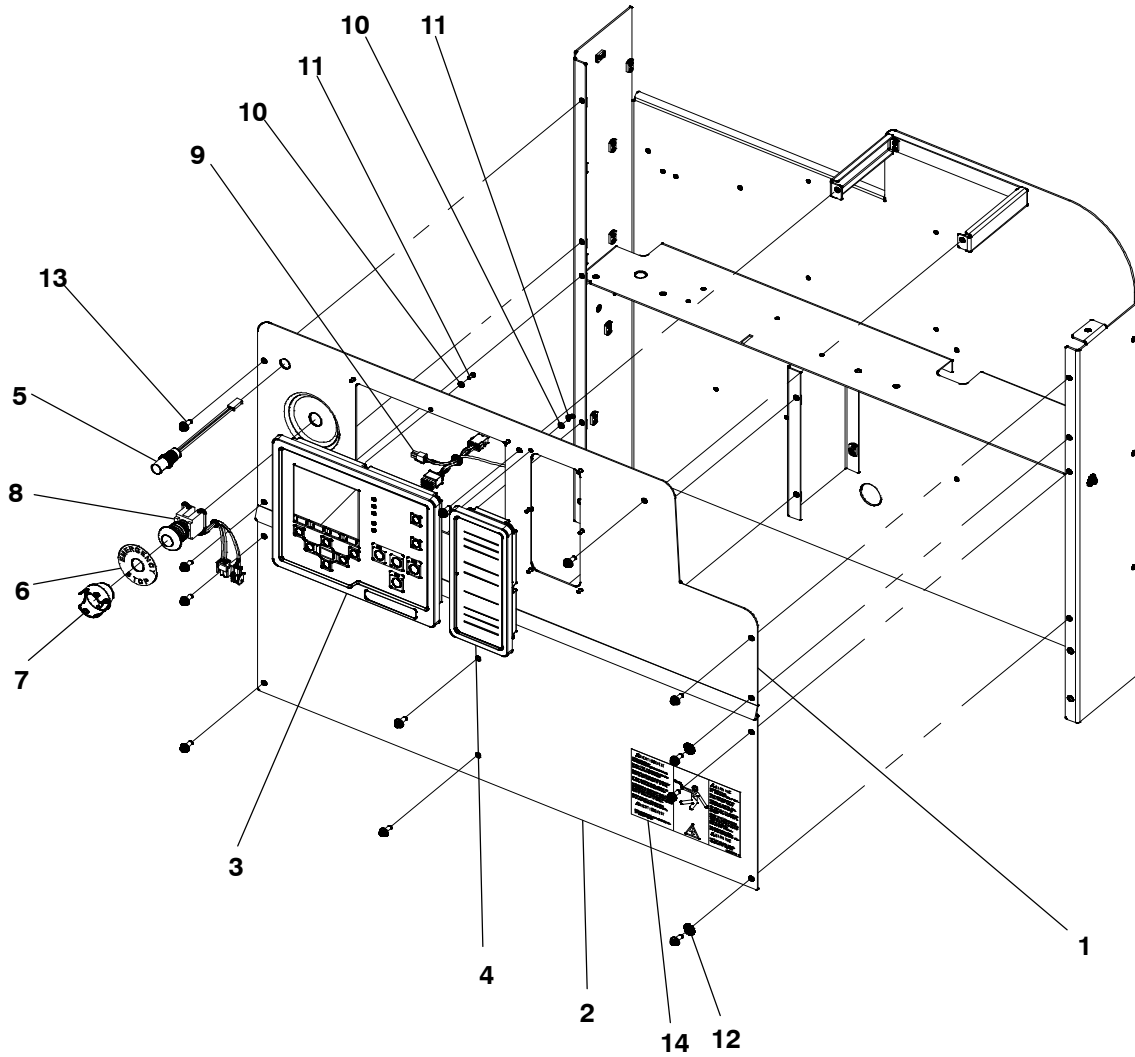
| Item | Part No. | Description | Qty |
|------|--------------|--|-----|
| 1 | A059N997 | Box, Control | 1 |
| 2 | A054M423 | Panel, Control | 1 |
| 3 | A059P185 | Panel, Control Box | 1 |
| 4 | A055J904 | Brace, Panel | 1 |
| 5 | A053T067 | Card, Control | 1 |
| 6 | A053R492 | Harness, Generator Electrical | 1 |
| 7 | A043B108 | Harness, Generator Electrical | 1 |
| 8 | A042Z041 | Harness, Relay | 1 |
| 9 | 0508-1122 | Grommet | 2 |
| 10 | A054P821 | Edging | 1 |
| 11 | A044D694 | Tie, Cable | 11 |
| 12 | 0856-0006 | Washer, Lock | 17 |
| 13 | 0815-0857-02 | Screw, Hex Head | 10 |
| 14 | 0856-0010 | Washer, Lock | 4 |
| 15 | 0800-6524-02 | Screw, Hex Flange Head | 4 |
| 16 | 0853-2006 | Washer, Lock | 1 |
| 17 | 0819-1165-09 | Screw, Pan Head | 4 |
| 18 | 0819-1165-02 | Screw, Pan Head | 2 |
| 19 | A043E872 | Screw, Pan Head | 1 |
| 20 | 0800-6399 | Screw, Hex Head | 7 |
| 21 | A056V883 | Label, Package (Includes the Following Labels) | 1 |
| | A048G965 | Label, Warning | 2 |
| | A060H959 | Label, Information | 1 |
| | A054D953 | Label, Marker | 1 |
| | A050J260 | Label, Marker | 1 |

Display Panel – HMI 320 and E-Stop



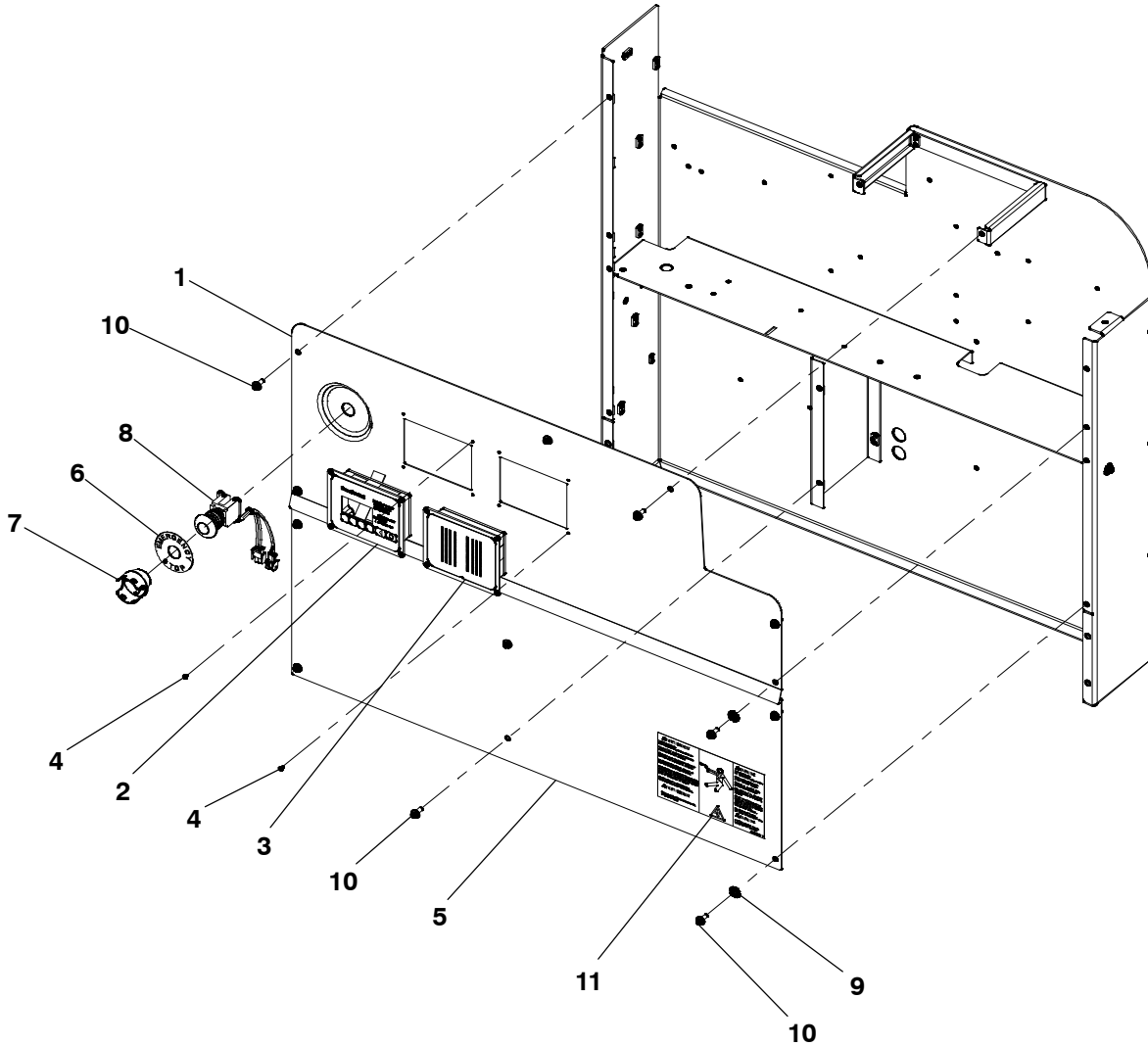
| Item | Part No. | Description | Qty |
|------|--------------|-------------------------------|-----|
| 1 | A054M425 | Panel, Display | 1 |
| 2 | A054M429 | Panel, Control | 1 |
| 3 | 0300-6315-01 | Display, Control | 1 |
| 4 | A048T764 | Harness | 1 |
| 5 | 0308-1177 | Bezel, Switch | 1 |
| 6 | 0319-6766 | Guard, Electrical | 1 |
| 7 | A043E232 | Harness, Generator Electrical | 1 |
| 8 | A049C489 | Harness, Extension | 1 |
| 9 | 0526-0399-54 | Washer, Flat | 6 |
| 10 | 0815-0792-03 | Screw, Pan Head | 6 |
| 11 | 0856-0006 | Washer, Lock | 2 |
| 12 | 0815-0857-02 | Screw, Hex Head | 12 |
| 13 | A055P610 | Label, Warning | 1 |

Display Panel – HMI 320, Bargraph and E-Stop



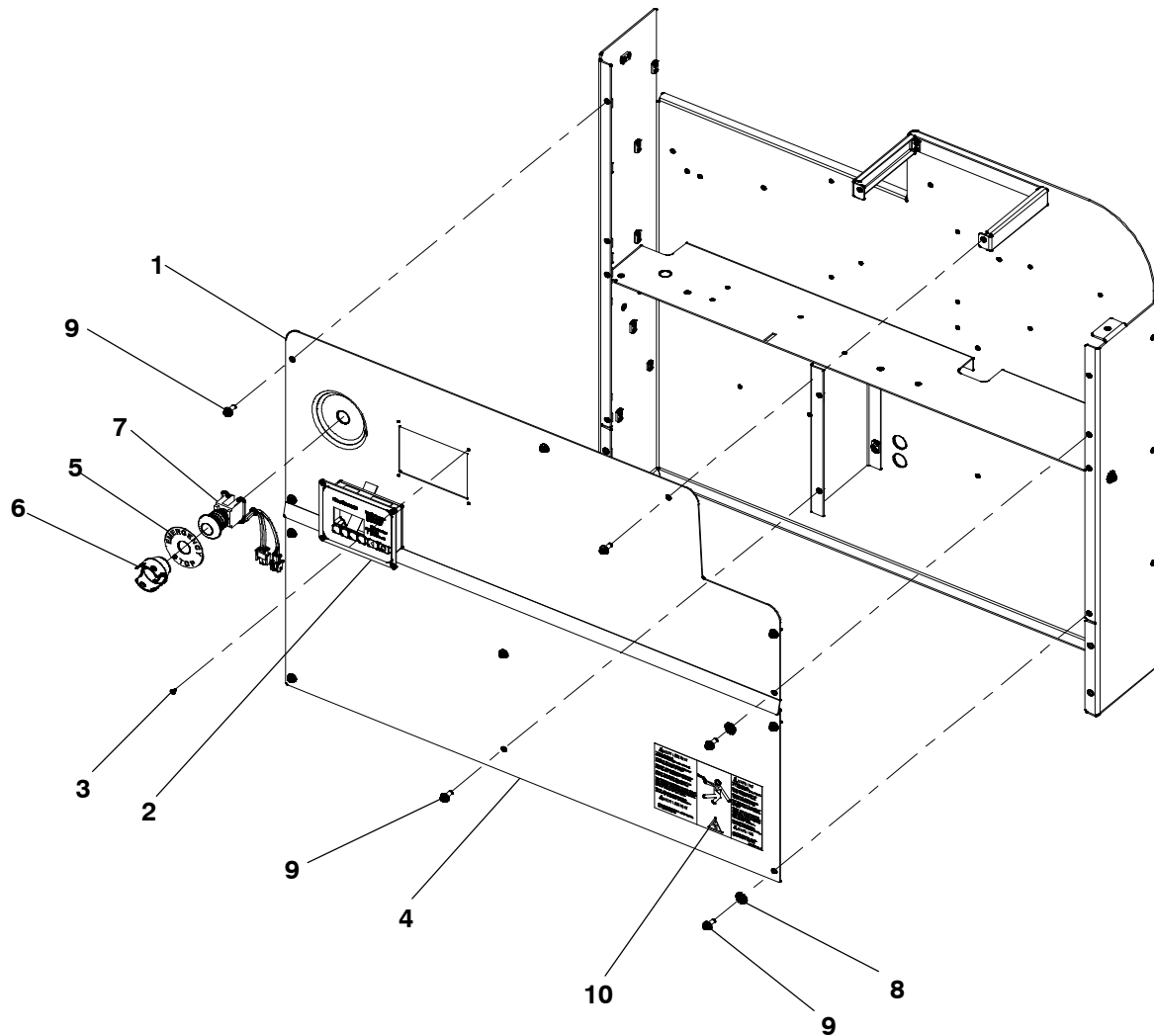
| Item | Part No. | Description | Qty |
|------|--------------|-------------------------------|-----|
| 1 | A054M427 | Panel, Display | 1 |
| 2 | A054M429 | Panel, Control | 1 |
| 3 | 0300-6315-01 | Display, Control | 1 |
| 4 | 0300-6366-02 | Display, Control | 1 |
| 5 | A048T764 | Harness | 1 |
| 6 | 0308-1177 | Bezel, Switch | 1 |
| 7 | 0319-6766 | Guard, Electrical | 1 |
| 8 | A043E232 | Harness, Generator Electrical | 1 |
| 9 | A049C489 | Harness, Extension | 1 |
| 10 | 0526-0399-54 | Washer, Flat | 12 |
| 11 | 0815-0792-03 | Screw, Pan Head | 12 |
| 12 | 0856-0006 | Washer, Lock | 2 |
| 13 | 0815-0857-02 | Screw, Hex Head | 12 |
| 14 | A055P610 | Label, Warning | 1 |

Display Panel – HMI 211, Bargraph and E-Stop



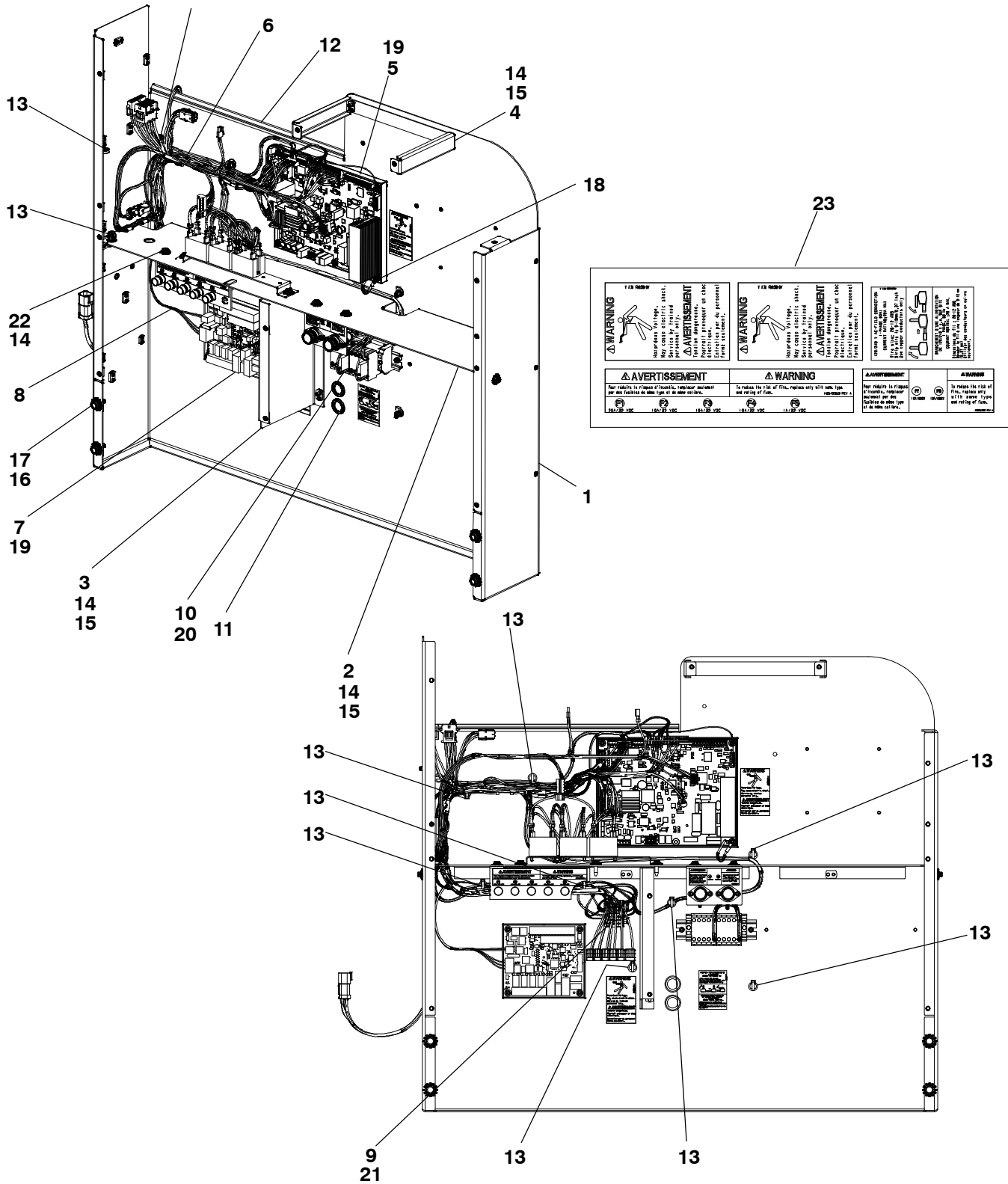
| Item | Part No. | Description | Qty |
|------|--------------|-------------------------------|-----|
| 1 | A057J861 | Panel, Display | 1 |
| 2 | 0300-6014 | Control, Genset | 1 |
| 3 | 0300-6050-02 | Display, Control | 1 |
| 4 | 0814-2155-01 | Screw, Flat Head | 8 |
| 5 | A054M429 | Panel, Control | 1 |
| 6 | 0308-1177 | Bezel, Switch | 1 |
| 7 | 0319-6766 | Guard, Electrical | 1 |
| 8 | A043E232 | Harness, Generator Electrical | 1 |
| 9 | 0856-0006 | Washer, Lock | 2 |
| 10 | 0815-0857-02 | Screw, Hex Head | 12 |
| 11 | A055P610 | Label, Warning | 1 |

Display Panel – HMI 211 and E-Stop



| Item | Part No. | Description | Qty |
|------|--------------|-------------------------------|-----|
| 1 | A057J859 | Panel, Display | 1 |
| 2 | 0300-6014 | Control, Genset | 1 |
| 3 | 0814-2155-01 | Screw, Flat Head | 4 |
| 4 | A054M429 | Panel, Control | 1 |
| 5 | 0308-1177 | Bezel, Switch | 1 |
| 6 | 0319-6766 | Guard, Electrical | 1 |
| 7 | A043E232 | Harness, Generator Electrical | 1 |
| 8 | 0856-0006 | Washer, Lock | 2 |
| 9 | 0815-0857-02 | Screw, Hex Head | 12 |
| 10 | A055P610 | Label, Warning | 1 |

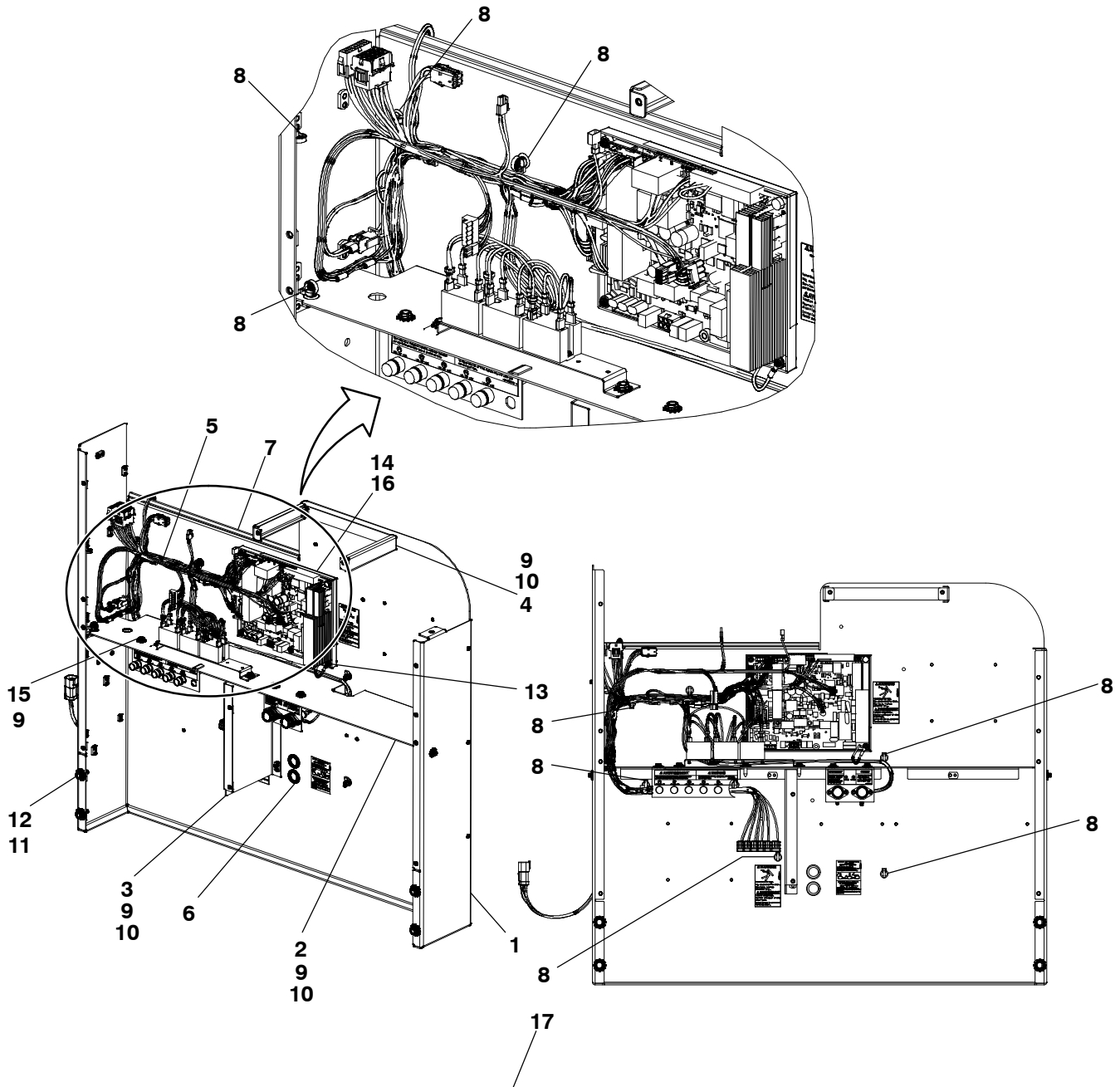
Control Box (2300 and Customer Relay, AUX 101) – 12V



Control Box (2300 and Customer Relay, AUX 101) – 12V

| Item | Part No. | Description | Qty |
|------|--------------|--|-----|
| 1 | A059N997 | Box, Control | 1 |
| 2 | A054M423 | Panel, Control | 1 |
| 3 | A059P185 | Panel, Control Box | 1 |
| 4 | A055J904 | Brace, Panel | 1 |
| 5 | A053T067 | Card, Control | 1 |
| 6 | A053R492 | Harness, Generator Electrical | 1 |
| 7 | 0327-1536 | Card, Input Output | 1 |
| 8 | A043A230 | Harness, Circuit Card | 1 |
| 9 | A043B108 | Harness, Generator Electrical | 1 |
| 10 | A042Z041 | Harness, Relay | 1 |
| 11 | 0508-1122 | Grommet | 2 |
| 12 | A054P821 | Edging | 1 |
| 13 | A044D694 | Tie, Cable | 11 |
| 14 | 0856-0006 | Washer, Lock | 17 |
| 15 | 0815-0857-02 | Screw, Hex Head | 10 |
| 16 | 0856-0010 | Washer, Lock | 4 |
| 17 | 0800-6524-02 | Screw, Hex Flange Head | 4 |
| 18 | 0853-2006 | Washer, Lock | 1 |
| 19 | 0819-1165-09 | Screw, Pan Head | 8 |
| 20 | 0819-1165-02 | Screw, Pan Head | 2 |
| 21 | A043E872 | Screw, Pan Head | 1 |
| 22 | 0800-6399 | Screw, Hex Head | 7 |
| 23 | A056V883 | Label, Package (Includes the Following Labels) | 1 |
| | A048G965 | Label, Warning | 2 |
| | A060H959 | Label, Information | 1 |
| | A054D953 | Label, Marker | 1 |
| | A050J260 | Label, Marker | 1 |

Control Box (1302) – 12V

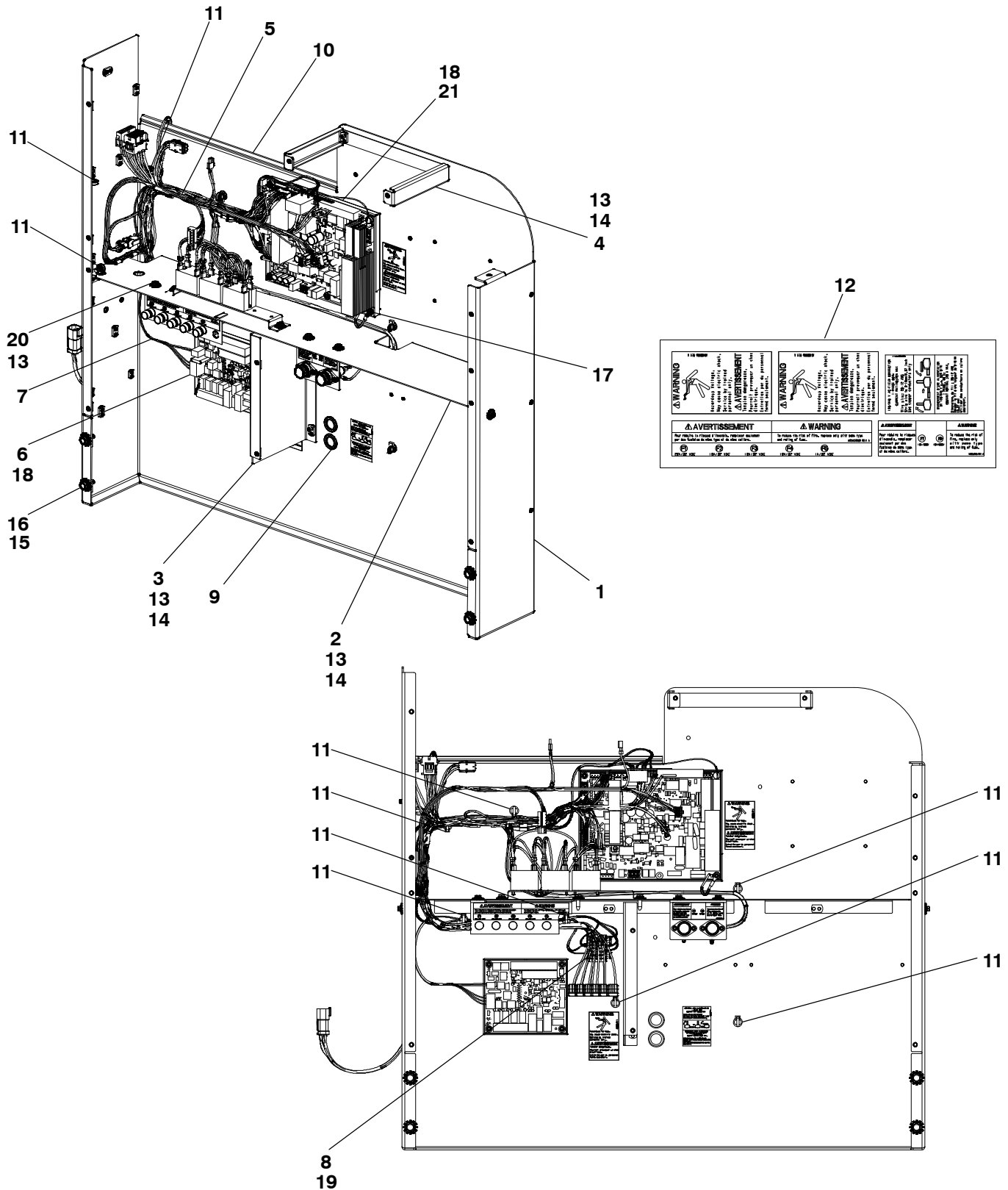


| | | |
|---|---|---|
| <p>1 13 0000</p> <p>⚠ WARNING</p> <p>Imparfaits de voltage, circuit, ou de la mise à la terre, peuvent causer des blessures graves.</p> <p>⚠ AVERTISSEMENT</p> <p>Des erreurs de câblage, des erreurs de mise à la terre, ou des erreurs de connexion peuvent causer des blessures graves.</p> | <p>1 13 0000</p> <p>⚠ WARNING</p> <p>Imparfaits de voltage, circuit, ou de la mise à la terre, peuvent causer des blessures graves.</p> <p>⚠ AVERTISSEMENT</p> <p>Des erreurs de câblage, des erreurs de mise à la terre, ou des erreurs de connexion peuvent causer des blessures graves.</p> | <p>1 13 0000</p> <p>⚠ WARNING</p> <p>Imparfaits de voltage, circuit, ou de la mise à la terre, peuvent causer des blessures graves.</p> <p>⚠ AVERTISSEMENT</p> <p>Des erreurs de câblage, des erreurs de mise à la terre, ou des erreurs de connexion peuvent causer des blessures graves.</p> |
| <p>⚠ AVERTISSEMENT</p> <p>Ne pas utiliser de fusibles d'appoint ou de remplacement.</p> <p>130/130 USC 130/130 USC 130/130 USC</p> | <p>⚠ WARNING</p> <p>To reduce the risk of fire, replace only with same type and rating of fuse.</p> <p>130/130 USC 130/130 USC 130/130 USC</p> | <p>⚠ AVERTISSEMENT</p> <p>Ne pas utiliser de fusibles d'appoint ou de remplacement.</p> <p>130/130 USC 130/130 USC 130/130 USC</p> |
| <p>⚠ WARNING</p> <p>To reduce the risk of fire, replace only with same type and rating of fuse.</p> <p>130/130 USC 130/130 USC 130/130 USC</p> | | |

Control Box (1302) – 12V

| Item | Part No. | Description | Qty |
|------|--------------|--|-----|
| 1 | A059N997 | Box, Control | 1 |
| 2 | A054M423 | Panel, Control | 1 |
| 3 | A059P185 | Panel, Control Box | 1 |
| 4 | A055J904 | Brace, Panel | 1 |
| 5 | A053R492 | Harness, Generator Electrical | 1 |
| 6 | 0508-1122 | Grommet | 2 |
| 7 | A054P821 | Edging | 1 |
| 8 | A044D694 | Tie, Cable | 10 |
| 9 | 0856-0006 | Washer, Lock | 17 |
| 10 | 0815-0857-02 | Screw, Hex Head | 10 |
| 11 | 0856-0010 | Washer, Lock | 4 |
| 12 | 0800-6524-02 | Screw, Hex Flange Head | 4 |
| 13 | 0853-2006 | Washer, Lock | 1 |
| 14 | 0819-1165-09 | Screw, Pan Head | 4 |
| 15 | 0800-6399 | Screw, Hex Head | 7 |
| 16 | A043W505 | Card, Control | 1 |
| 17 | A056V883 | Label, Package (Includes the Following Labels) | 1 |
| | A048G965 | Label, Warning | 2 |
| | A060H959 | Label, Information | 1 |
| | A054D953 | Label, Marker | 1 |
| | A050J260 | Label, Marker | 1 |

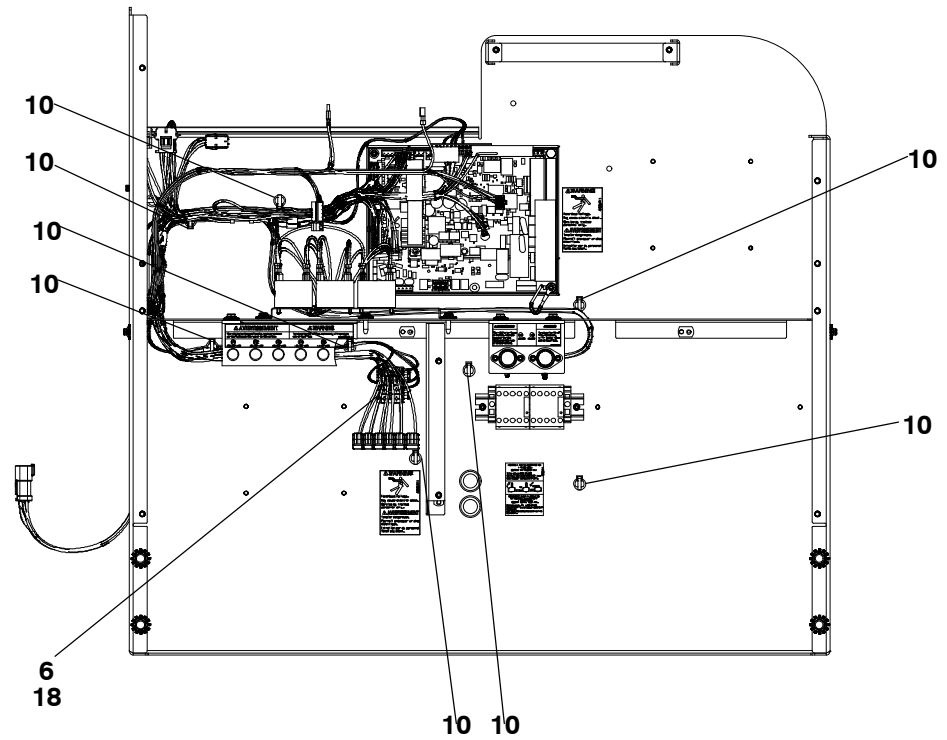
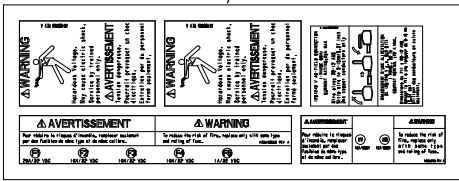
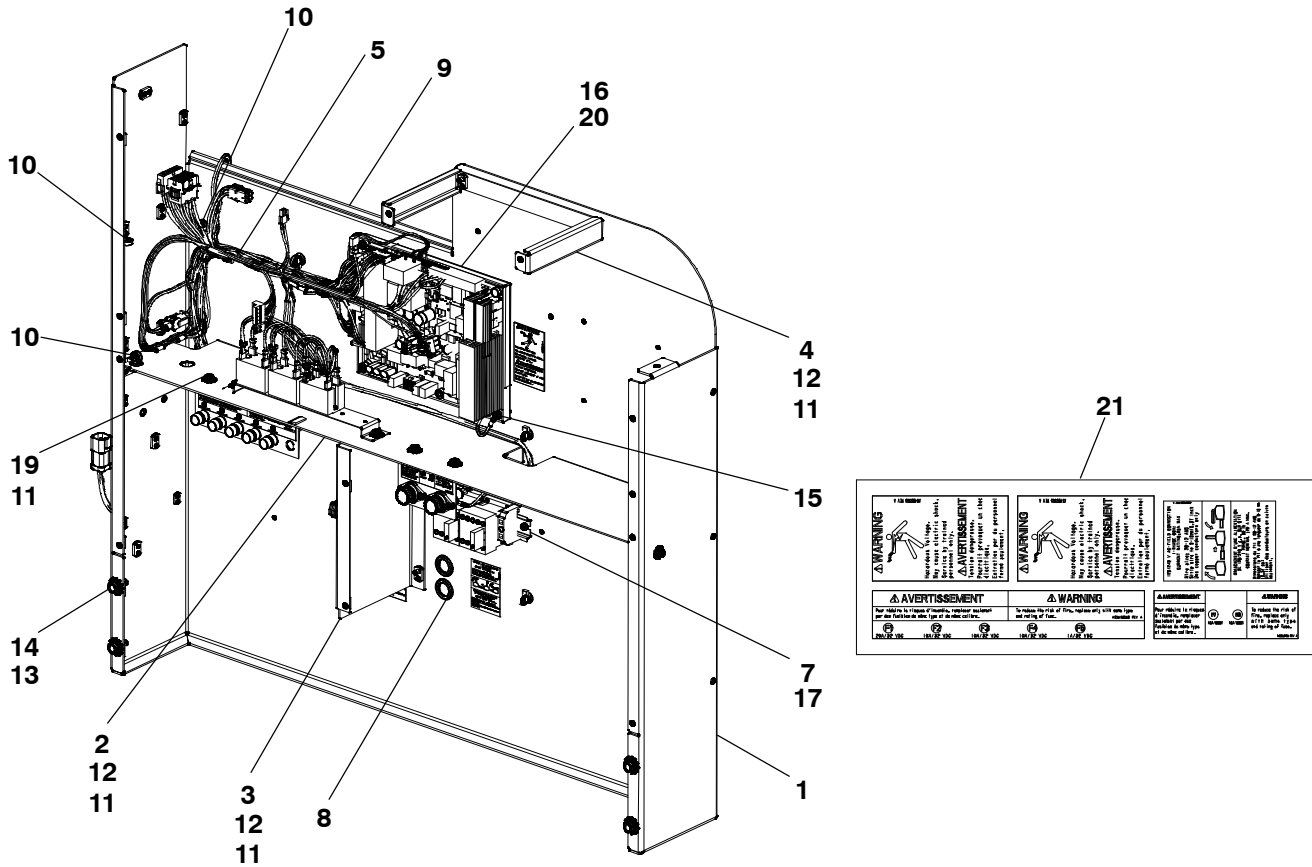
Control Box (1302 and AUX 101) – 12V



Control Box (1302 and AUX 101) – 12V

| Item | Part No. | Description | Qty |
|------|--------------|--|-----|
| 1 | A059N997 | Box, Control | 1 |
| 2 | A054M423 | Panel, Control | 1 |
| 3 | A059P185 | Panel, Control Box | 1 |
| 4 | A055J904 | Brace, Panel | 1 |
| 5 | A053R492 | Harness, Generator Electrical | 1 |
| 6 | 0327-1536 | Card, Input Output | 1 |
| 7 | A043A230 | Harness, Circuit Card | 1 |
| 8 | A043B108 | Harness, Generator Electrical | 1 |
| 9 | 0508-1122 | Grommet | 2 |
| 10 | A054P821 | Edging | 1 |
| 11 | A044D694 | Tie, Cable | 10 |
| 12 | A056V883 | Label, Package (Includes the Following Labels) | 1 |
| | A048G965 | Label, Warning | 2 |
| | A060H959 | Label, Information | 1 |
| | A054D953 | Label, Marker | 1 |
| | A050J260 | Label, Marker | 1 |
| 13 | 0856-0006 | Washer, Lock | 17 |
| 14 | 0815-0857-02 | Screw, Hex Head | 10 |
| 15 | 0856-0010 | Washer, Lock | 4 |
| 16 | 0800-6524-02 | Screw, Hex Flange Head | 4 |
| 17 | 0853-2006 | Washer, Lock | 1 |
| 18 | 0819-1165-09 | Screw, Pan Head | 8 |
| 19 | A043E872 | Screw, Pan Head | 1 |
| 20 | 0800-6399 | Screw, Hex Head | 7 |
| 21 | A043W505 | Card, Control | 1 |

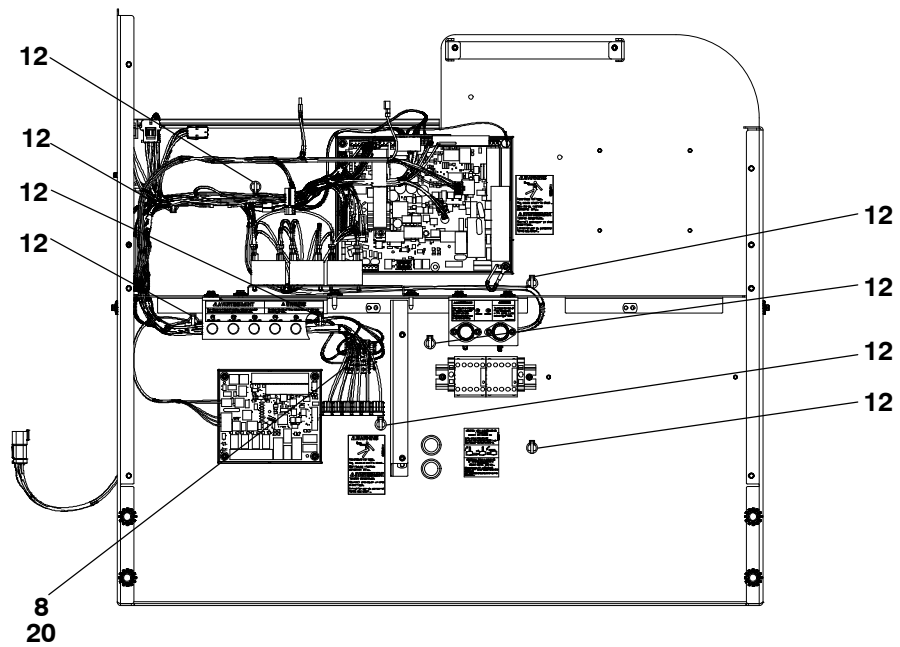
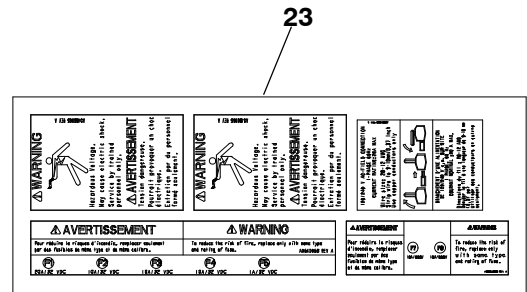
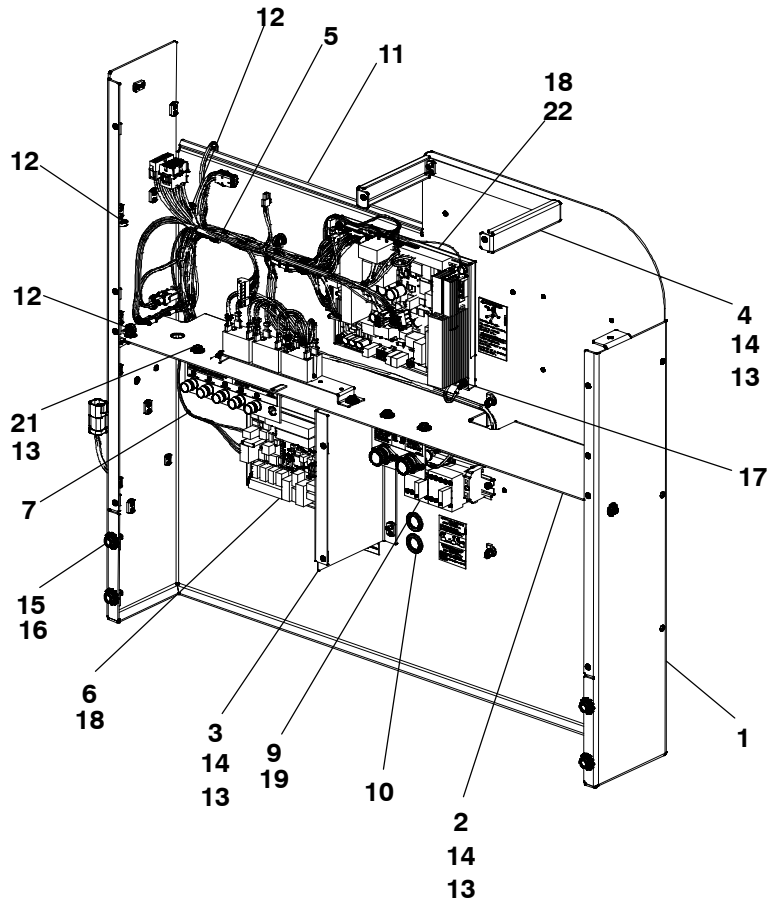
Control Box (1302 and Customer Relay) – 12V



Control Box (1302 and Customer Relay) – 12V

| Item | Part No. | Description | Qty |
|------|--------------|--|-----|
| 1 | A059N997 | Box, Control | 1 |
| 2 | A054M423 | Panel, Control | 1 |
| 3 | A059P185 | Panel, Control Box | 1 |
| 4 | A055J904 | Brace, Panel | 1 |
| 5 | A053R492 | Harness, Generator Electrical | 1 |
| 6 | A043B108 | Harness, Generator Electrical | 1 |
| 7 | A042Z041 | Harness, Relay | 1 |
| 8 | 0508-1122 | Grommet | 2 |
| 9 | A054P821 | Edging | 1 |
| 10 | A044D694 | Tie, Cable | 11 |
| 11 | 0856-0006 | Washer, Lock | 17 |
| 12 | 0815-0857-02 | Screw, Hex Head | 10 |
| 13 | 0856-0010 | Washer, Lock | 4 |
| 14 | 0800-6524-02 | Screw, Hex Flange Head | 4 |
| 15 | 0853-2006 | Washer, Lock | 1 |
| 16 | 0819-1165-09 | Screw, Pan Head | 4 |
| 17 | 0819-1165-02 | Screw, Pan Head | 2 |
| 18 | A043E872 | Screw, Pan Head | 1 |
| 19 | 0800-6399 | Screw, Hex Head | 7 |
| 20 | A043W505 | Card, Control | 1 |
| 21 | A056V883 | Label, Package (Includes the Following Labels) | 1 |
| | A048G965 | Label, Warning | 2 |
| | A060H959 | Label, Information | 1 |
| | A054D953 | Label, Marker | 1 |
| | A050J260 | Label, Marker | 1 |

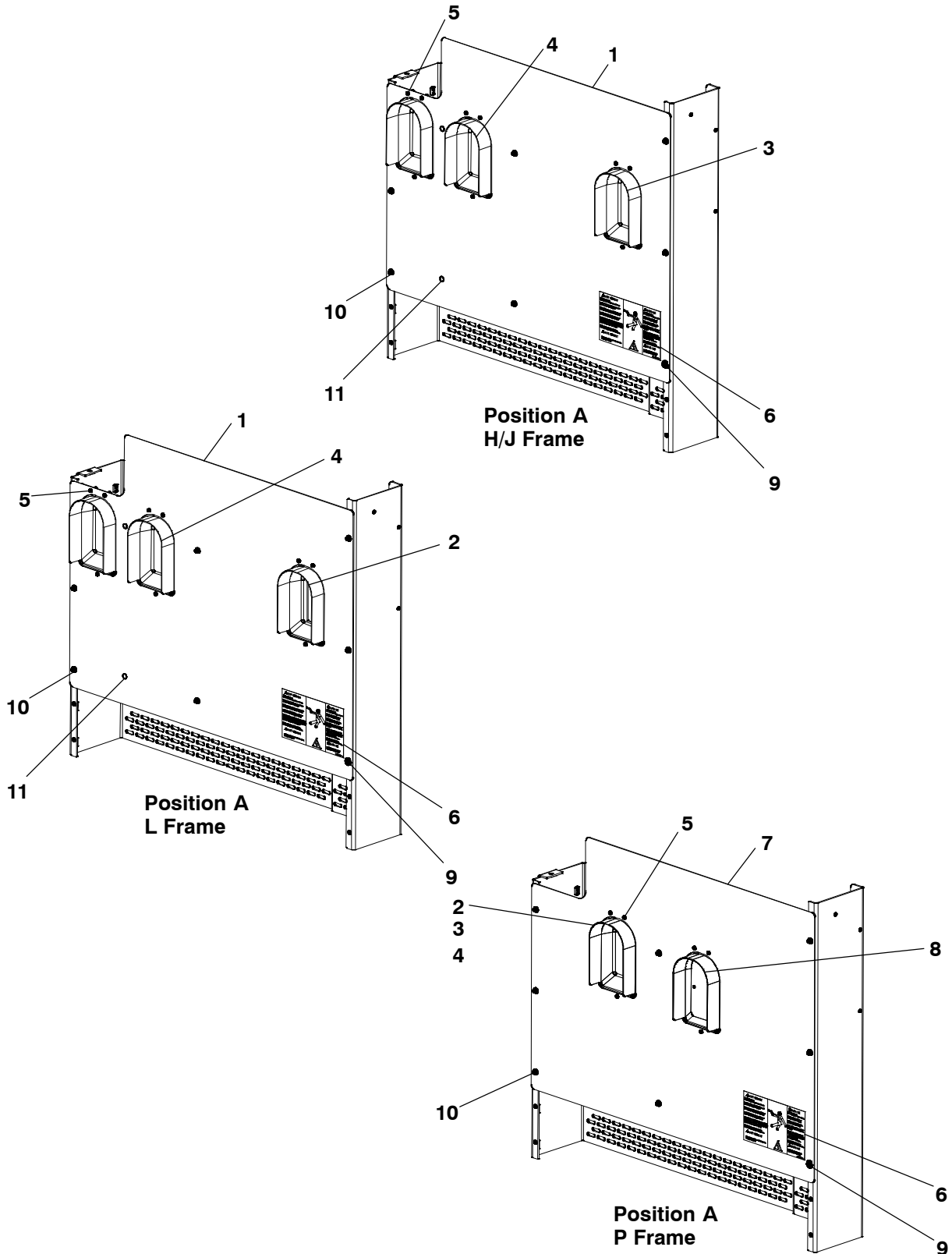
Control Box (1302 and Customer Relay, AUX 101) – 12V



Control Box (1302 and Customer Relay, AUX 101) – 12V

| Item | Part No. | Description | Qty |
|------|--------------|--|-----|
| 1 | A059N997 | Box, Control | 1 |
| 2 | A054M423 | Panel, Control | 1 |
| 3 | A059P185 | Panel, Control Box | 1 |
| 4 | A055J904 | Brace, Panel | 1 |
| 5 | A053R492 | Harness, Generator Electrical | 1 |
| 6 | 0327-1536 | Card, Input Output | 1 |
| 7 | A043A230 | Harness, Relay | 1 |
| 8 | A043B108 | Harness, Generator Electrical | 1 |
| 9 | A042Z041 | Harness, Relay | 1 |
| 10 | 0508-1122 | Grommet | 2 |
| 11 | A054P821 | Edging | 1 |
| 12 | A044D694 | Tie, Cable | 11 |
| 13 | 0856-0006 | Washer, Lock | 17 |
| 14 | 0815-0857-02 | Screw, Hex Head | 10 |
| 15 | 0856-0010 | Washer, Lock | 4 |
| 16 | 0800-6524-02 | Screw, Hex Flange Head | 4 |
| 17 | 0853-2006 | Washer, Lock | 1 |
| 18 | 0819-1165-09 | Screw, Pan Head | 8 |
| 19 | 0819-1165-02 | Screw, Pan Head | 2 |
| 20 | A043E872 | Screw, Pan Head | 1 |
| 21 | 0800-6399 | Screw, Hex Head | 7 |
| 22 | A043W505 | Card, Control | 1 |
| 23 | A056V883 | Label, Package (Includes the Following Labels) | 1 |
| | A048G965 | Label, Warning | 2 |
| | A060H959 | Label, Information | 1 |
| | A054D953 | Label, Marker | 1 |
| | A050J260 | Label, Marker | 1 |

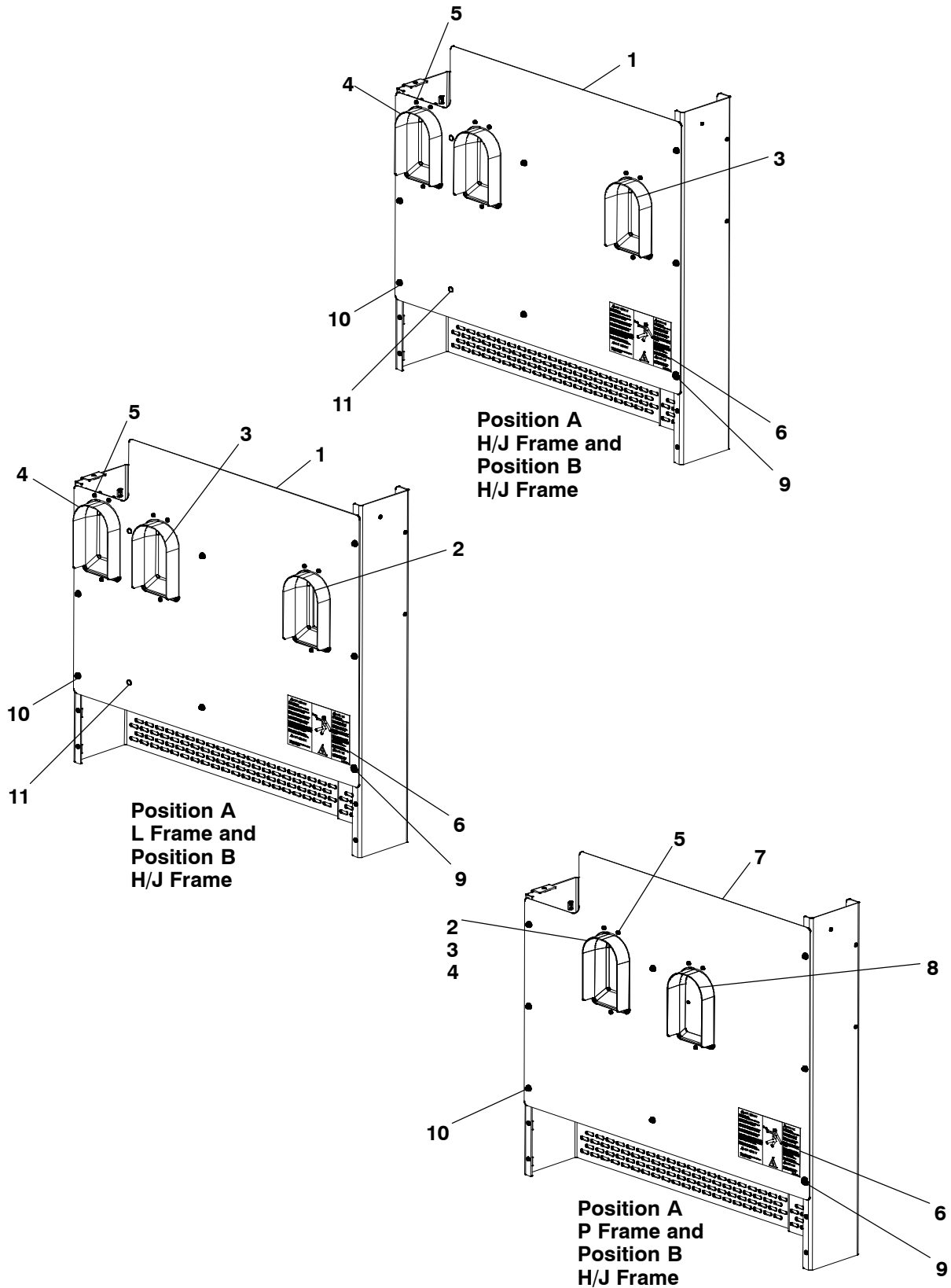
Circuit Breaker Covers – Load Connection (Single) (KV03–2)



Circuit Breaker Covers – Load Connection (Single) (KV03–2)

| Item | Part No. | Description | Qty |
|------|--------------|-----------------------------|-----|
| 1 | A054N121 | Cover, Circuit Breaker Box | 1 |
| 2 | A050E021 | Cup, Circuit Breaker Switch | 1 |
| 3 | A050Y289 | Cup, Circuit Breaker Switch | A/R |
| 4 | A050E026 | Cup, Circuit Breaker Switch | A/R |
| 5 | A048E352 | Screw, Pan Head | A/R |
| 6 | A055P610 | Label, Warning | 1 |
| 7 | A054N123 | Cover, Circuit Breaker Box | 1 |
| 8 | A054F854 | Cup, Circuit Breaker Switch | 1 |
| 9 | 0856–0006 | Washer, Lock | 1 |
| 10 | 0815–0857–02 | Screw, Hex Head | 8 |
| 11 | 0517–0131 | Plug, Hole | 2 |

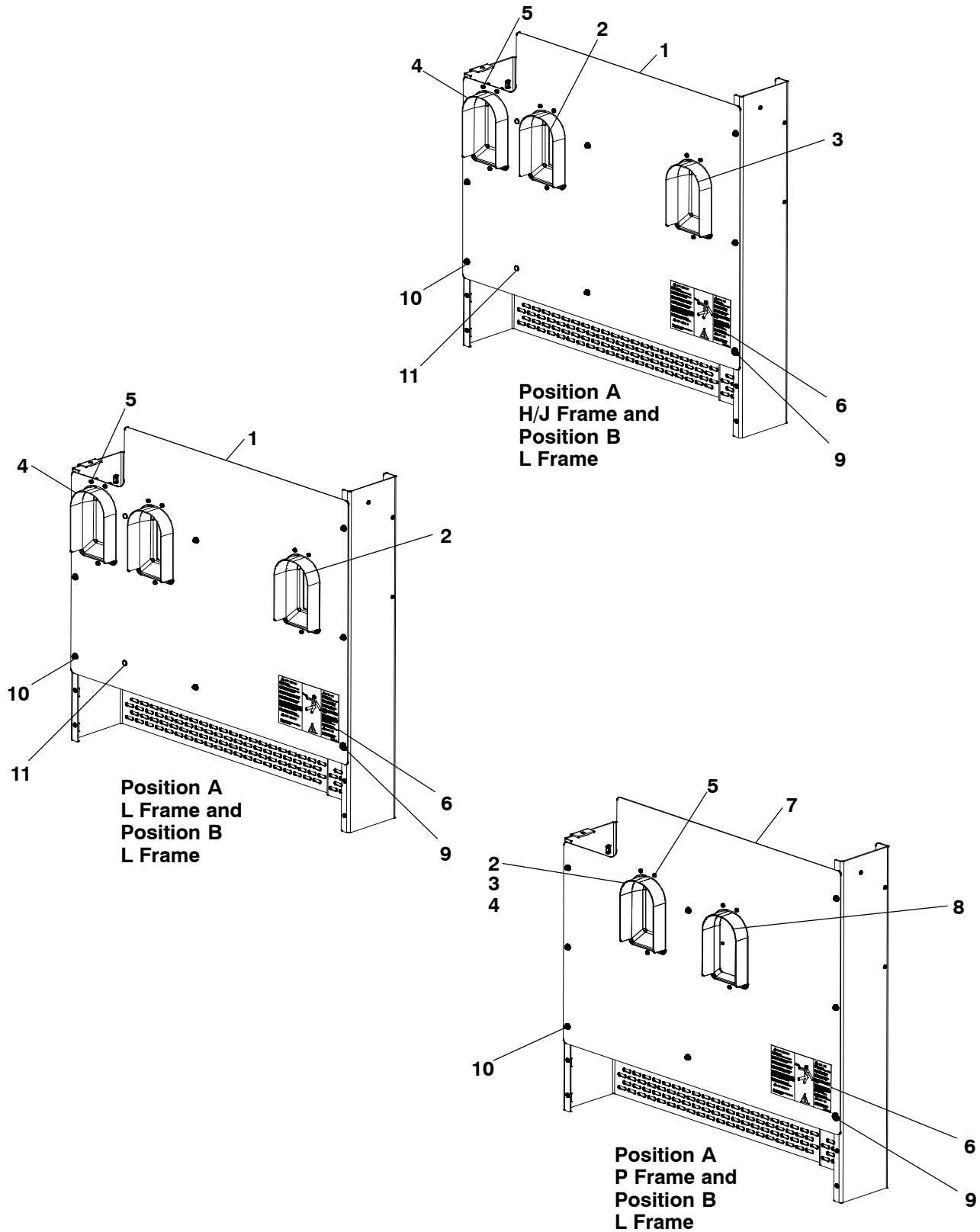
Circuit Breaker Covers – Load Connection (Dual) (KV04–2) (Illustration #1)



Circuit Breaker Covers – Load Connection (Dual) (KV04–2) (Illustration #1)

| Item | Part No. | Description | Qty |
|-------------|-----------------|-----------------------------|------------|
| 1 | A054N121 | Cover, Circuit Breaker Box | 1 |
| 2 | A050E021 | Cup, Circuit Breaker Switch | 1 |
| 3 | A050Y289 | Cup, Circuit Breaker Switch | A/R |
| 4 | A050E026 | Cup, Circuit Breaker Switch | 1 |
| 5 | A048E352 | Screw, Pan Head | A/R |
| 6 | A055P610 | Label, Warning | 1 |
| 7 | A054N123 | Cover, Circuit Breaker Box | 1 |
| 8 | A054F854 | Cup, Circuit Breaker Switch | 1 |
| 9 | 0856–0006 | Washer, Lock | 1 |
| 10 | 0815–0857–02 | Screw, Hex Head | 8 |
| 11 | 0517–0131 | Plug, Hole | 2 |
| 12 | A054N123 | Cover, Circuit Breaker Box | 1 |
| 13 | A054F854 | Cup, Circuit Breaker Switch | 1 |

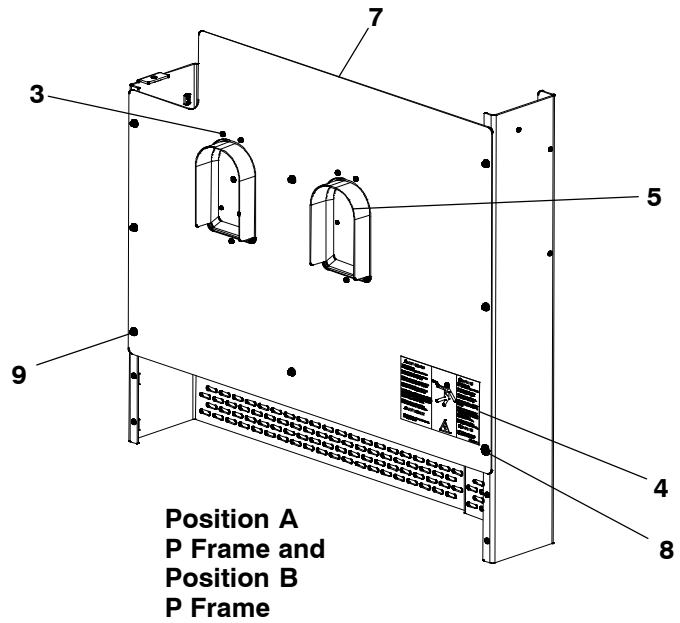
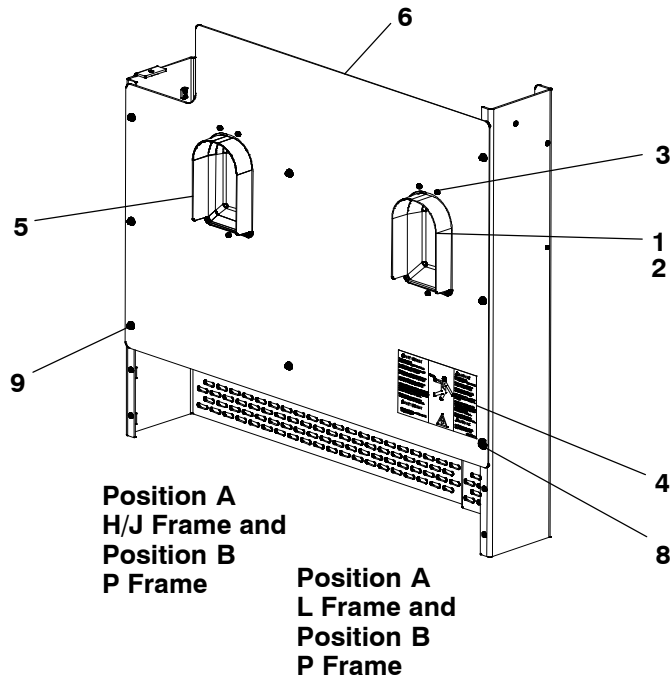
Circuit Breaker Covers – Load Connection (Dual) (KV04–2) (Illustration #2)



Circuit Breaker Covers – Load Connection (Dual) (KV04–2) (Illustration #2)

| Item | Part No. | Description | Qty |
|-------------|-----------------|-----------------------------|------------|
| 1 | A054N121 | Cover, Circuit Breaker Box | 1 |
| 2 | A050E021 | Cup, Circuit Breaker Switch | A/R |
| 3 | A050Y289 | Cup, Circuit Breaker Switch | 1 |
| 4 | A050E026 | Cup, Circuit Breaker Switch | 1 |
| 5 | A048E352 | Screw, Pan Head | A/R |
| 6 | A055P610 | Label, Warning | 1 |
| 7 | A054N123 | Cover, Circuit Breaker Box | 1 |
| 8 | A054F854 | Cup, Circuit Breaker Switch | 1 |
| 9 | 0856–0006 | Washer, Lock | 1 |
| 10 | 0815–0857–02 | Screw, Hex Head | 8 |
| 11 | 0517–0131 | Plug, Hole | 2 |

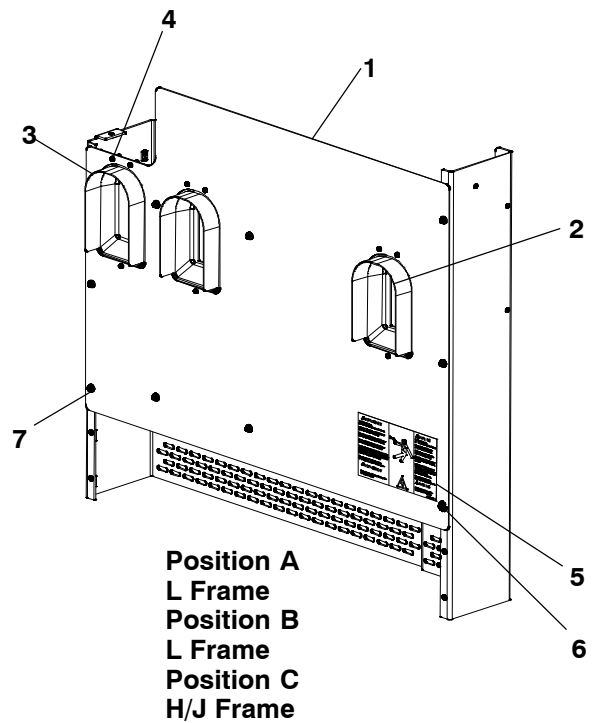
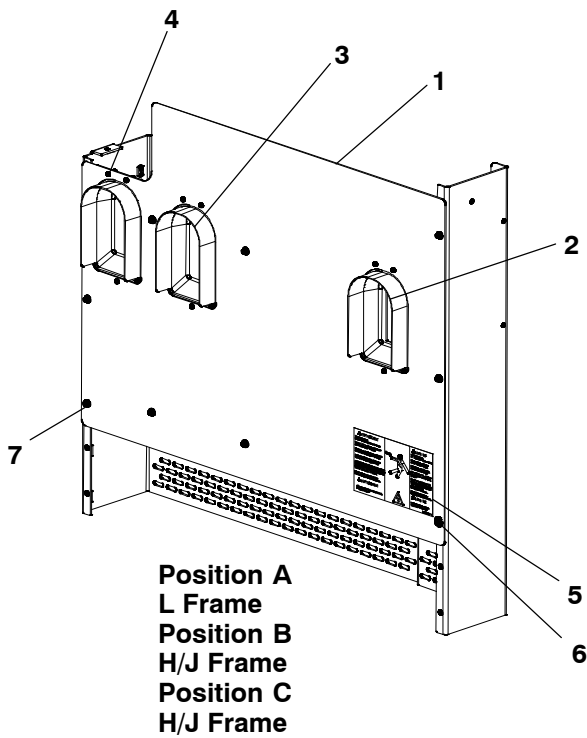
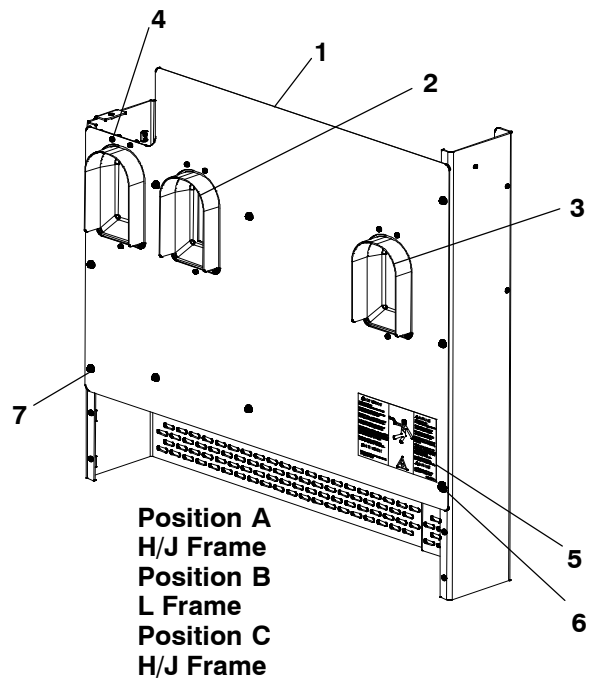
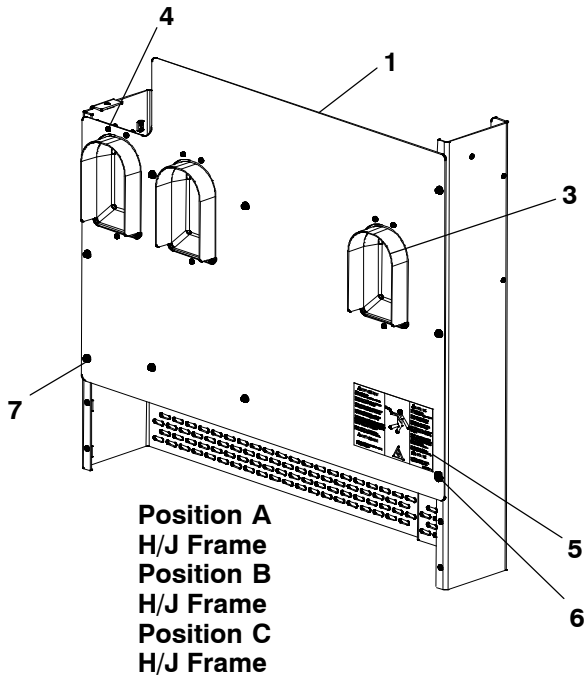
Circuit Breaker Covers – Load Connection (Dual) (KV04–2) (Illustration #3)



Circuit Breaker Covers – Load Connection (Dual) (KV04–2) (Illustration #3)

| Item | Part No. | Description | Qty |
|-------------|-----------------|-----------------------------|------------|
| 1 | A050E021 | Cup, Circuit Breaker Switch | 1 |
| 2 | A050Y289 | Cup, Circuit Breaker Switch | 1 |
| 3 | A048E352 | Screw, Pan Head | 6 |
| 4 | A055P610 | Label, Warning | 1 |
| 5 | A054F854 | Cup, Circuit Breaker Switch | A/R |
| 6 | A054N125 | Cover, Circuit Breaker Box | 1 |
| 7 | A054N127 | Cover, Circuit Breaker Box | 1 |
| 8 | 0856–0006 | Washer, Lock | 1 |
| 9 | 0815–0857–02 | Screw, Hex Head | 8 |

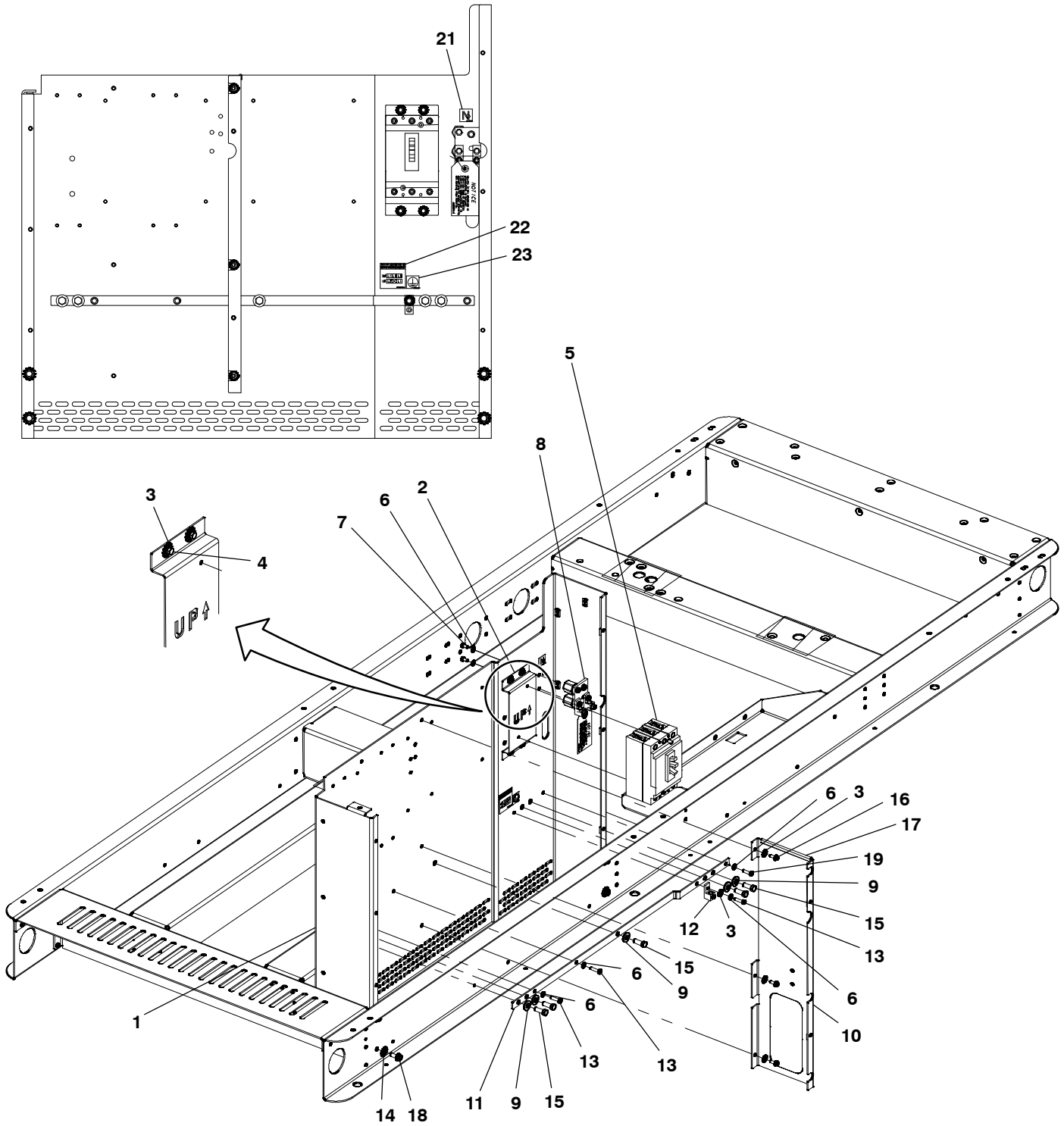
Circuit Breaker Covers – Load Connection (Triple) (KX25–2)



Circuit Breaker Covers – Load Connection (Triple) (KX25–2)

| Item | Part No. | Description | Qty |
|------|--------------|-----------------------------|-----|
| 1 | A054N121 | Cover, Circuit Breaker Box | 1 |
| 2 | A050E021 | Cup, Circuit Breaker Switch | A/R |
| 3 | A050Y289 | Cup, Circuit Breaker Switch | A/R |
| 4 | A048E352 | Screw, Pan Head | 9 |
| 5 | A055P610 | Label, Warning | 1 |
| 6 | 0856–0006 | Washer, Lock | 1 |
| 7 | 0815–0857–02 | Screw, Hex Head | 10 |

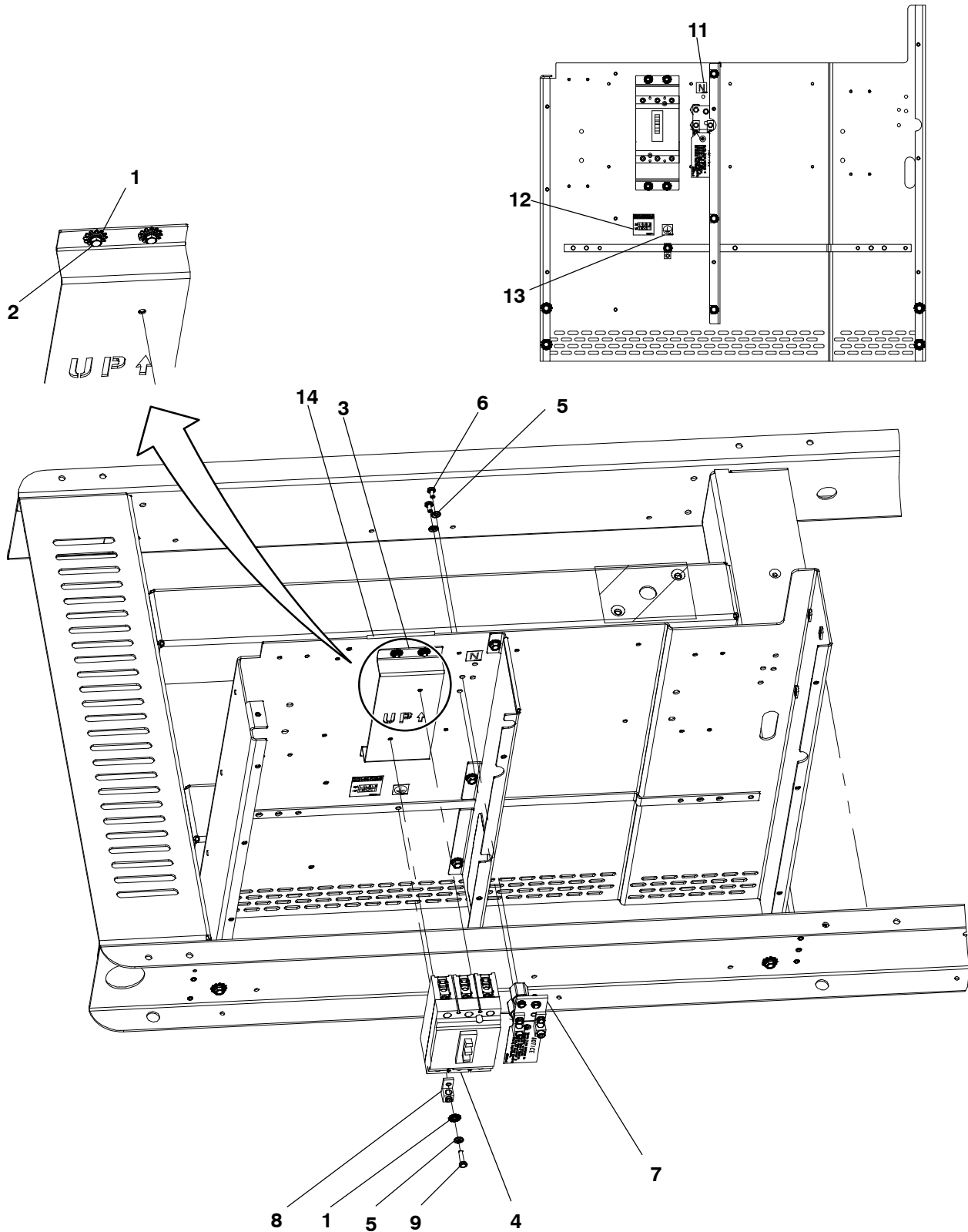
Circuit Breakers (15A–100A) Position “A” (Right Side)



Circuit Breakers (15A–100A) Position “A” (Right Side)

| Item | Part No. | Description | Qty |
|------|--------------|--|-----|
| 1 | A059R068 | Box, Circuit Breaker | 1 |
| 2 | A047U747 | Bracket, Circuit Breaker | 1 |
| 3 | 0856–0006 | Washer, Lock | 8 |
| 4 | 0821–6001–02 | Screw, Hex Head | 4 |
| 5 | | Breaker, Circuit | |
| | A043L506 | 15A (H-Frame) | 1 |
| | A043L480 | 20A (H-Frame) | 1 |
| | A043L508 | 25A (H-Frame) | 1 |
| | A043L475 | 30A (H-Frame) | 1 |
| | A043L464 | 40A (H-Frame) | 1 |
| | A043L461 | 50A (H-Frame) | 1 |
| | A043L459 | 60A (H-Frame) | 1 |
| | A043L451 | 70A (H-Frame) | 1 |
| | A043L012 | 80A (H-Frame) | 1 |
| | A043K997 | 90A (H-Frame) | 1 |
| | A043L024 | 100A (H-Frame) | 1 |
| 6 | 0851–0027 | Washer | 6 |
| 7 | 0800–0003 | Screw, Hex Head | 2 |
| 8 | | Bar, Neutral (See Page 189 for Components) | 1 |
| 9 | 0851–0022 | Washer | 5 |
| 10 | A059P181 | Panel, Electrical | 1 |
| 11 | A054N187 | Busbar, Copper | 1 |
| 12 | 0332–3647 | Lug, Solderless | 1 |
| 13 | 0800–0007 | Screw, Hex Head | 3 |
| 14 | 0856–0010 | Washer, Lock | 4 |
| 15 | 0800–0310–36 | Screw, Hex Head | 5 |
| 16 | 0815–0857–02 | Screw, Hex Head | 3 |
| 17 | A052H541 | Edging | 1 |
| 18 | 0800–6524–02 | Screw, Hex Flange Head | 4 |
| 19 | 0800–0006 | Screw, Hex Head | 1 |
| 20 | A042N860 | Tie, Cable (Not Shown) | 1 |
| 21 | A044H599 | Label, Neutral | 1 |
| 22 | A050G752 | Label, Marking | 1 |
| 23 | A044F269 | Label, Ground | 1 |

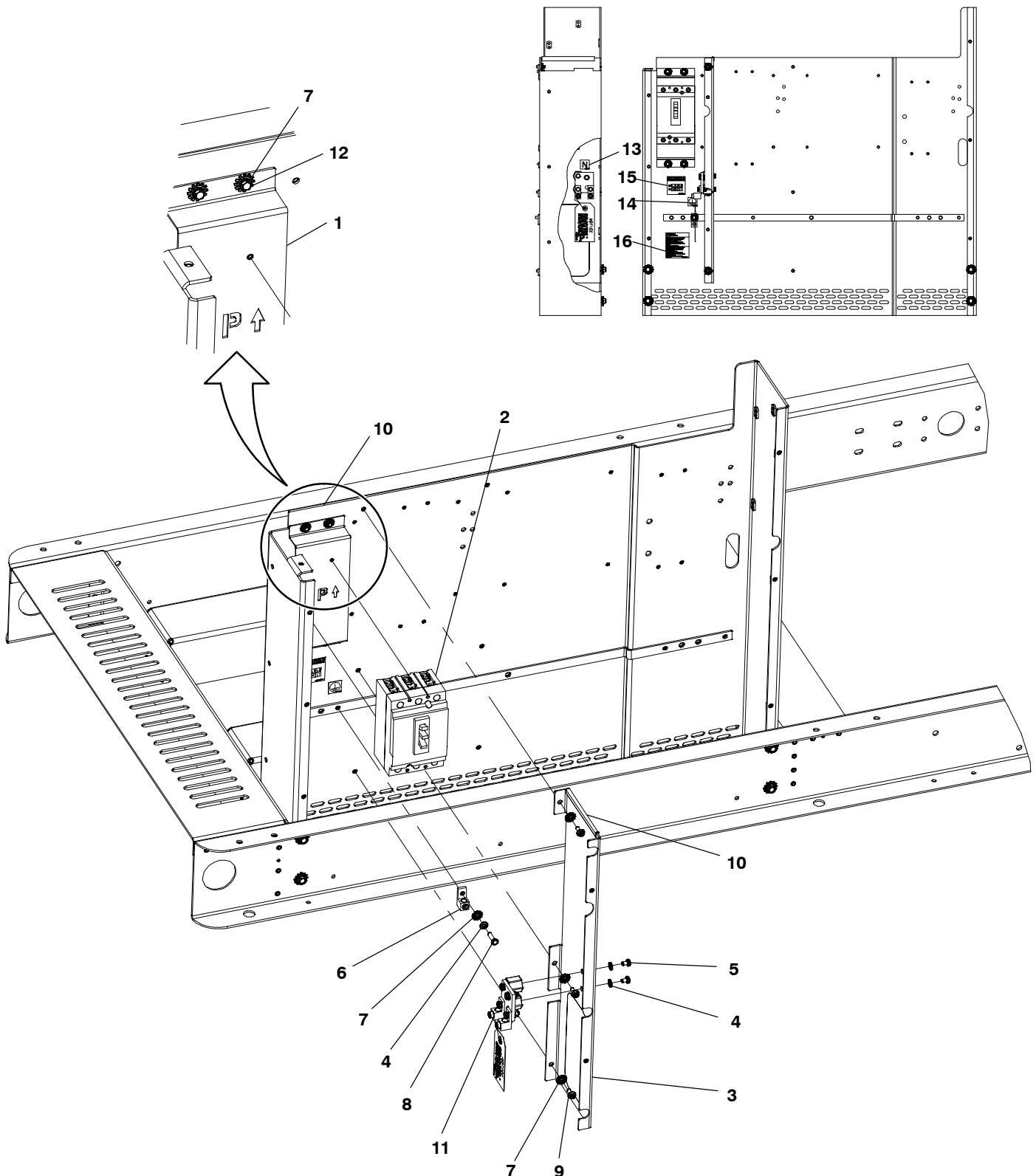
Circuit Breakers (15A-100A) Position "B" (Center)



Circuit Breakers (15A–100A) Position “B” (Center)

| Item | Part No. | Description | Qty |
|------|--------------|--|-----|
| 1 | 0856–0006 | Washer, Lock | 8 |
| 2 | 0821–6001–02 | Screw, Hex Head | 4 |
| 3 | A054N334 | Bracket, Circuit Breaker | 1 |
| 4 | | Breaker, Circuit | |
| | A043L506 | 15A (H-Frame) | 1 |
| | A043L480 | 20A (H-Frame) | 1 |
| | A043L508 | 25A (H-Frame) | 1 |
| | A043L475 | 30A (H-Frame) | 1 |
| | A043L464 | 40A (H-Frame) | 1 |
| | A043L461 | 50A (H-Frame) | 1 |
| | A043L459 | 60A (H-Frame) | 1 |
| | A043L451 | 70A (H-Frame) | 1 |
| | A043L012 | 80A (H-Frame) | 1 |
| | A043K997 | 90A (H-Frame) | 1 |
| | A043L024 | 100A (H-Frame) | 1 |
| 5 | 0851–0027 | Washer | 3 |
| 6 | 0800–0003 | Screw, Hex Head | 2 |
| 7 | | Bar, Neutral (See Page 189 for Components) | 1 |
| 8 | 0332–3647 | Lug, Solderless | 1 |
| 9 | 0800–0007 | Screw, Hex Head | 1 |
| 10 | A042N860 | Tie, Cable (Not Shown) | 1 |
| 11 | A044H599 | Label, Neutral | 1 |
| 12 | A050G752 | Label, Marking | 1 |
| 13 | A044F269 | Label, Ground | 1 |
| 14 | A052H541 | Edging | 1 |

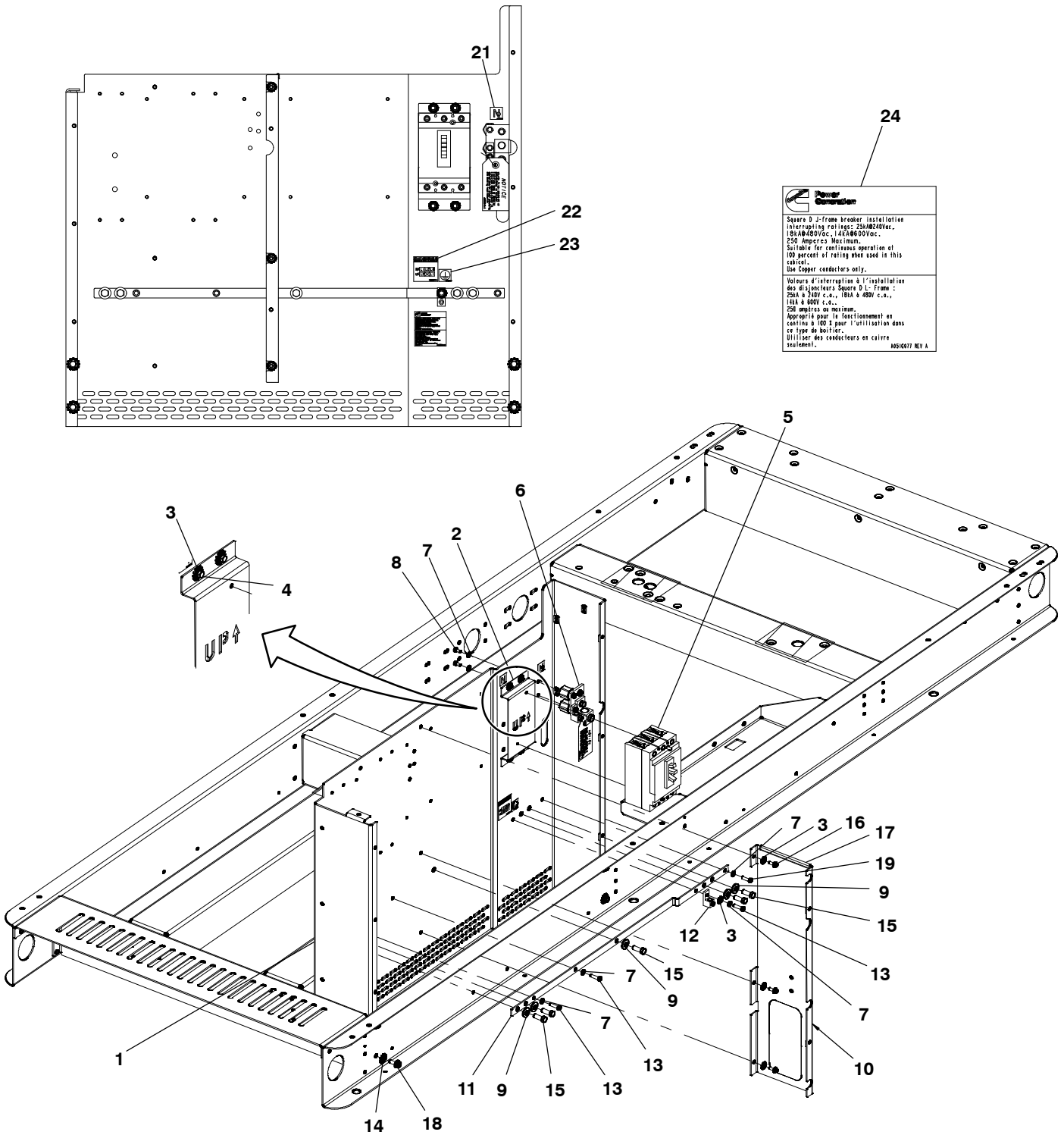
Circuit Breakers (15A–100A) Position “C” (Left Side)



Circuit Breakers (15A–100A) Position “C” (Left Side)

| Item | Part No. | Description | Qty |
|------|--------------|--|-----|
| 1 | A054N334 | Bracket, Circuit Breaker | 1 |
| 2 | | Breaker, Circuit | |
| | A043L506 | 15A (H-Frame) | 1 |
| | A043L480 | 20A (H-Frame) | 1 |
| | A043L508 | 25A (H-Frame) | 1 |
| | A043L475 | 30A (H-Frame) | 1 |
| | A043L464 | 40A (H-Frame) | 1 |
| | A043L461 | 50A (H-Frame) | 1 |
| | A043L459 | 60A (H-Frame) | 1 |
| | A043L451 | 70A (H-Frame) | 1 |
| | A043L012 | 80A (H-Frame) | 1 |
| | A043K997 | 90A (H-Frame) | 1 |
| | A043L024 | 100A (H-Frame) | 1 |
| 3 | A059P181 | Panel, Electrical | 1 |
| 4 | 0851–0027 | Washer | 3 |
| 5 | 0800–0002 | Screw, Hex Head | 2 |
| 6 | 0332–3647 | Lug, Solderless | 1 |
| 7 | 0856–0006 | Washer, Lock | 8 |
| 8 | 0800–0007 | Screw, Hex Head | 1 |
| 9 | 0815–0857–02 | Screw, Hex Head | 3 |
| 10 | A052H541 | Edging | 2 |
| 11 | | Bar, Neutral (See Page 189 for Components) | 1 |
| 12 | 0821–6001–02 | Screw, Hex Head | 4 |
| 13 | A044H599 | Label, Neutral | 1 |
| 14 | A044F269 | Label, Ground | 1 |
| 15 | A050G752 | Label, Marking | 1 |
| 16 | A051G977 | Label, Marking | 1 |
| 17 | A042N860 | Tie, Cable (Not Shown) | 1 |

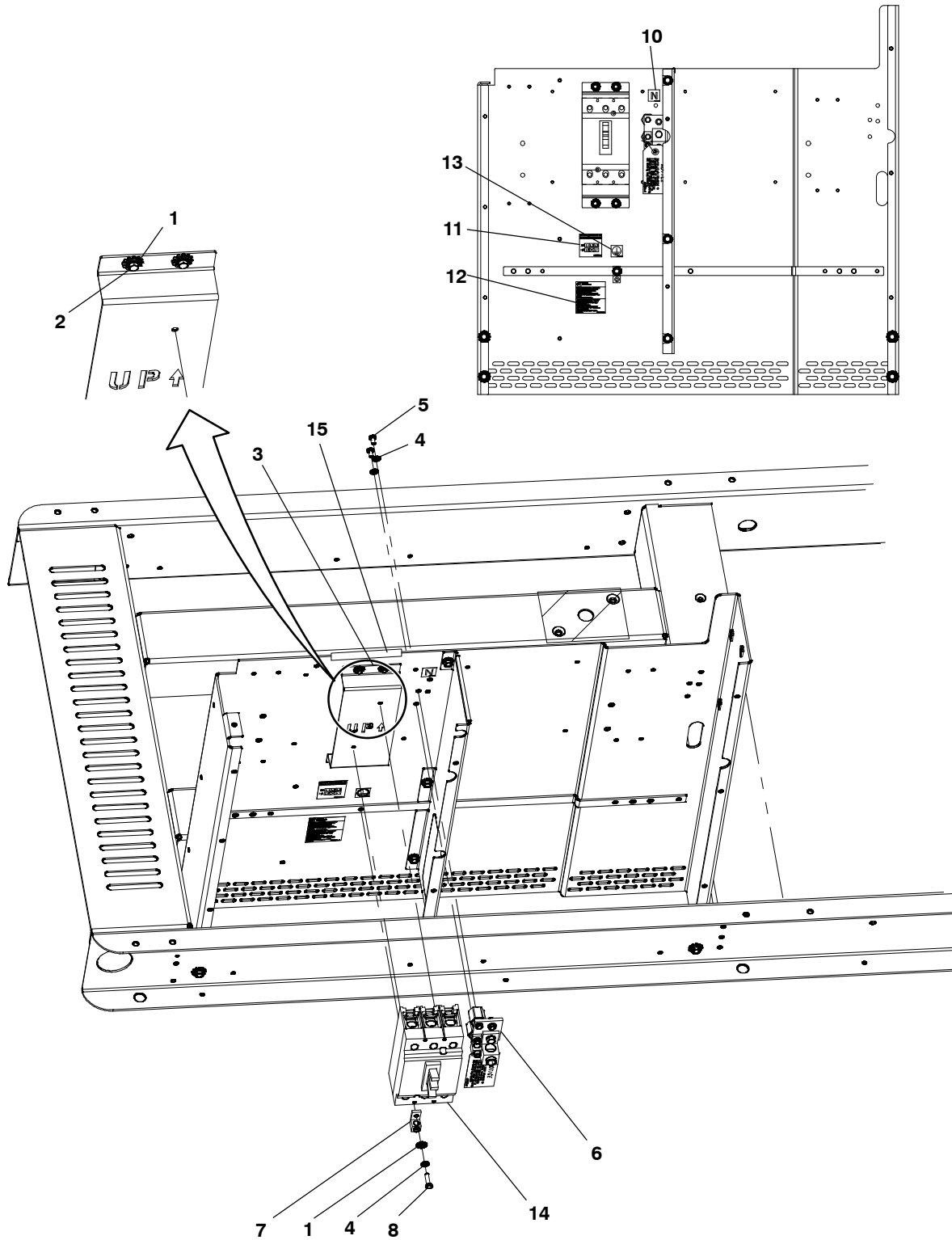
Circuit Breakers (125A–250A) Position “A” (Right Side)



Circuit Breakers (125A–250A) Position “A” (Right Side)

| Item | Part No. | Description | Qty |
|------|--------------|--|-----|
| 1 | A059R068 | Box, Circuit Breaker | 1 |
| 2 | A047U747 | Bracket, Circuit Breaker | 1 |
| 3 | 0856–0006 | Washer, Lock | 8 |
| 4 | 0821–6001–02 | Screw, Hex Head | 4 |
| 5 | | Breaker, Circuit | |
| | A043K994 | 125A (H-Frame) | 1 |
| | A043K991 | 150A (H-Frame) | 1 |
| | A043L619 | 175A (J-Frame) | 1 |
| | A043L520 | 200A (J-Frame) | 1 |
| | A043L517 | 225A (J-Frame) | 1 |
| | A043L510 | 250A (J-Frame) | 1 |
| | A050J725 | 250A – 80% LSI (J-Frame) | 1 |
| | A050J727 | 250A – 100% LSI (J-Frame) | 1 |
| 6 | | Bar, Neutral (See Page 190 for Components) | 1 |
| 7 | 0851–0027 | Washer | 6 |
| 8 | 0800–0003 | Screw, Hex Head | 2 |
| 9 | 0851–0022 | Washer | 5 |
| 10 | A059P181 | Panel, Electrical | 1 |
| 11 | A054N187 | Busbar, Copper | 1 |
| 12 | 0332–3647 | Lug, Solderless | 1 |
| 13 | 0800–0007 | Screw, Hex Head | 3 |
| 14 | 0856–0010 | Washer, Lock | 4 |
| 15 | 0800–0310–36 | Screw, Hex Head | 5 |
| 16 | 0815–0857–02 | Screw, Hex Head | 3 |
| 17 | A052H541 | Edging | 1 |
| 18 | 0800–6524–02 | Screw, Hex Flange Head | 4 |
| 19 | 0800–0006 | Screw, Hex Head | 1 |
| 20 | A042N860 | Tie, Cable (Not Shown) | 1 |
| 21 | A044H599 | Label, Neutral | 1 |
| 22 | A050G752 | Label, Marking | 1 |
| 23 | A044F269 | Label, Ground | 1 |
| 24 | A051G977 | Label, Marking | 1 |

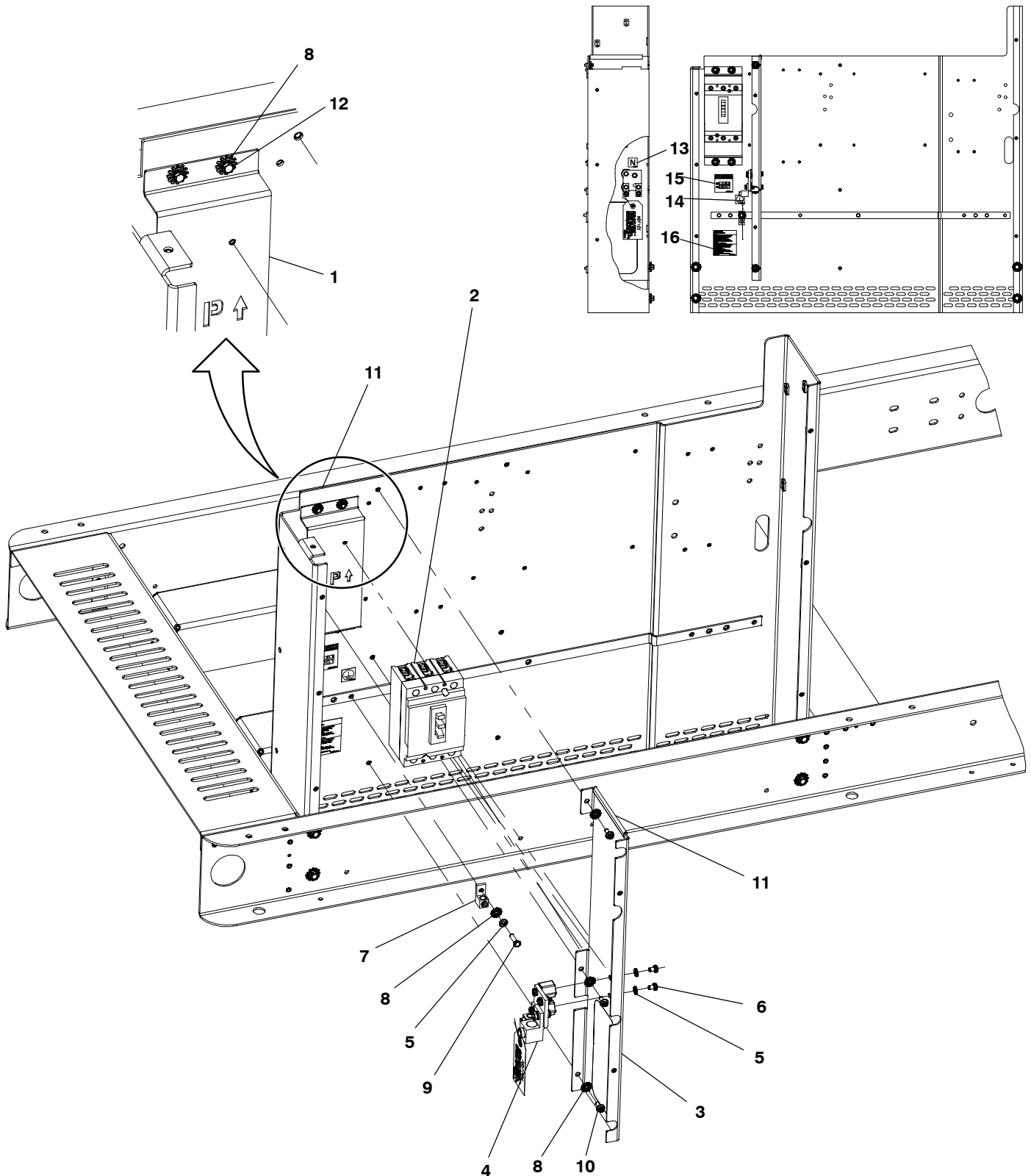
Circuit Breakers (125A–250A) Position “B” (Center)



Circuit Breakers (125A–250A) Position “B” (Center)

| Item | Part No. | Description | Qty |
|------|--------------|--|-----|
| 1 | 0856–0006 | Washer, Lock | 8 |
| 2 | 0821–6001–02 | Screw, Hex Head | 4 |
| 3 | A054N334 | Bracket, Circuit Breaker | 1 |
| 4 | 0851–0027 | Washer | 5 |
| 5 | 0800–0003 | Screw, Hex Head | 2 |
| 6 | | Bar, Neutral (See Page 190 for Components) | 1 |
| 7 | 0332–3647 | Lug, Solderless | 1 |
| 8 | 0800–0007 | Screw, Hex Head | 1 |
| 9 | A042N860 | Tie, Cable (Not Shown) | 1 |
| 10 | A044H599 | Label, Neutral | 1 |
| 11 | A050G752 | Label, Marking | 1 |
| 12 | A051G977 | Label, Marking | 1 |
| 13 | A044F269 | Label, Ground | 1 |
| 14 | | Breaker, Circuit | |
| | A043K994 | 125A (H-Frame) | 1 |
| | A043K991 | 150A (H-Frame) | 1 |
| | A043L619 | 175A (J-Frame) | 1 |
| | A043L520 | 200A (J-Frame) | 1 |
| | A043L517 | 225A (J-Frame) | 1 |
| | A043L510 | 250A (J-Frame) | 1 |
| | A050J725 | 250A – 80% LSI (J-Frame) | 1 |
| | A050J727 | 250A – 100% LSI (J-Frame) | 1 |
| 15 | A052H541 | Edging | 1 |

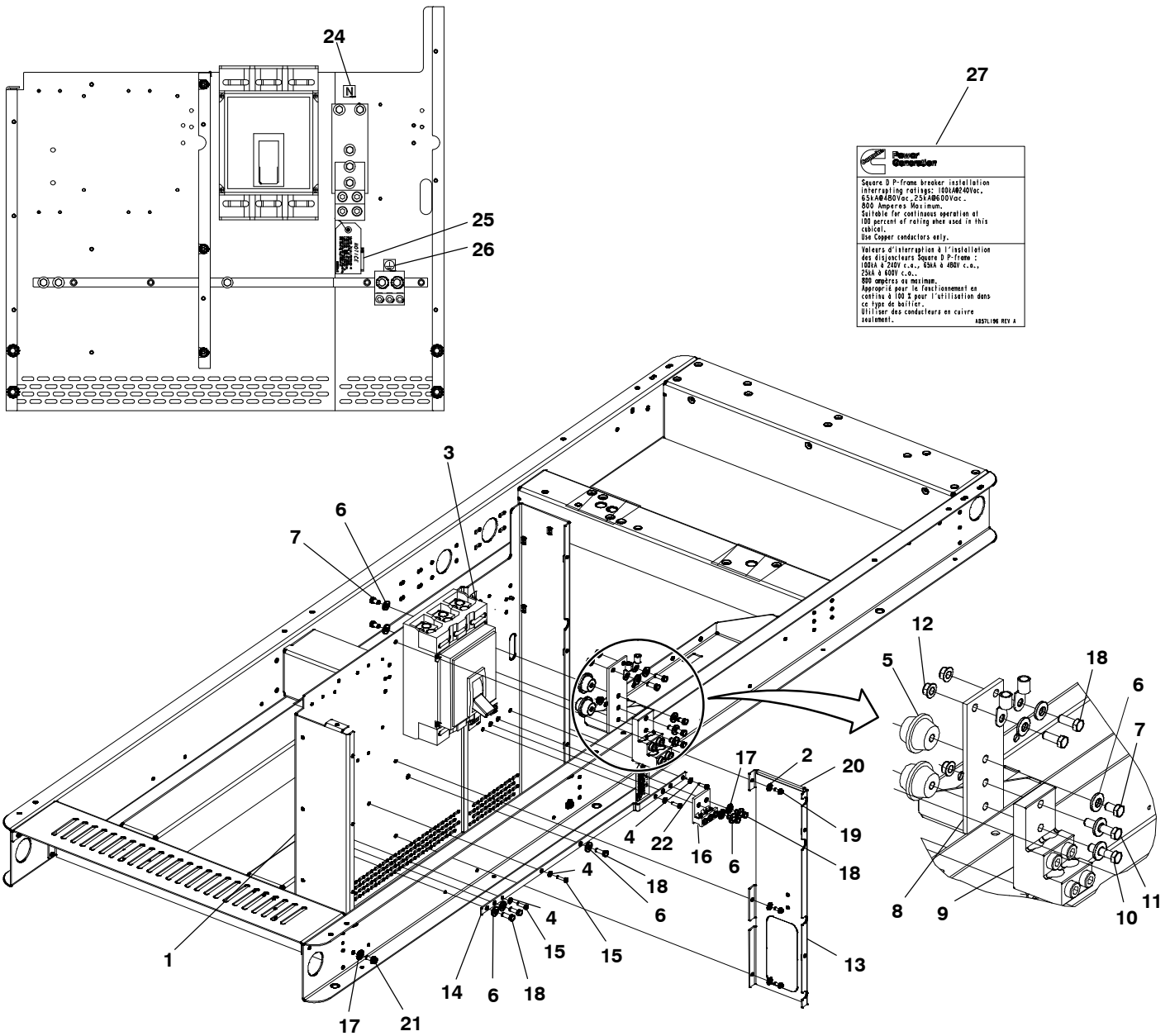
Circuit Breakers (125A–250A) Position “C” (Left Side)



Circuit Breakers (125A–250A) Position “C” (Left Side)

| Item | Part No. | Description | Qty |
|------|--------------|--|-----|
| 1 | A054N334 | Bracket, Circuit Breaker | 1 |
| 2 | | Breaker, Circuit | |
| | A043K994 | 125A (H-Frame) | 1 |
| | A043K991 | 150A (H-Frame) | 1 |
| | A043L619 | 175A (J-Frame) | 1 |
| | A043L520 | 200A (J-Frame) | 1 |
| | A043L517 | 225A (J-Frame) | 1 |
| | A043L510 | 250A (J-Frame) | 1 |
| | A050J725 | 250A – 80% LSI (J-Frame) | 1 |
| | A050J727 | 250A – 100% LSI (J-Frame) | 1 |
| 3 | A059P181 | Panel, Electrical | 1 |
| 4 | | Bar, Neutral (See Page 190 for Components) | 1 |
| 5 | 0851–0027 | Washer | 3 |
| 6 | 0800–0002 | Screw, Hex Head | 2 |
| 7 | 0332–3647 | Lug, Solderless | 1 |
| 8 | 0856–0006 | Washer, Lock | 8 |
| 9 | 0800–0007 | Screw, Hex Head | 1 |
| 10 | 0815–0857–02 | Screw, Hex Head | 3 |
| 11 | A052H541 | Edging | 2 |
| 12 | 0821–6001–02 | Screw, Hex Head | 4 |
| 13 | A044H599 | Label, Neutral | 1 |
| 14 | A044F269 | Label, Ground | 1 |
| 15 | A050G752 | Label, Marking | 1 |
| 16 | A051G977 | Label, Marking | 1 |
| 17 | A042N860 | Tie, Cable (Not Shown) | 1 |

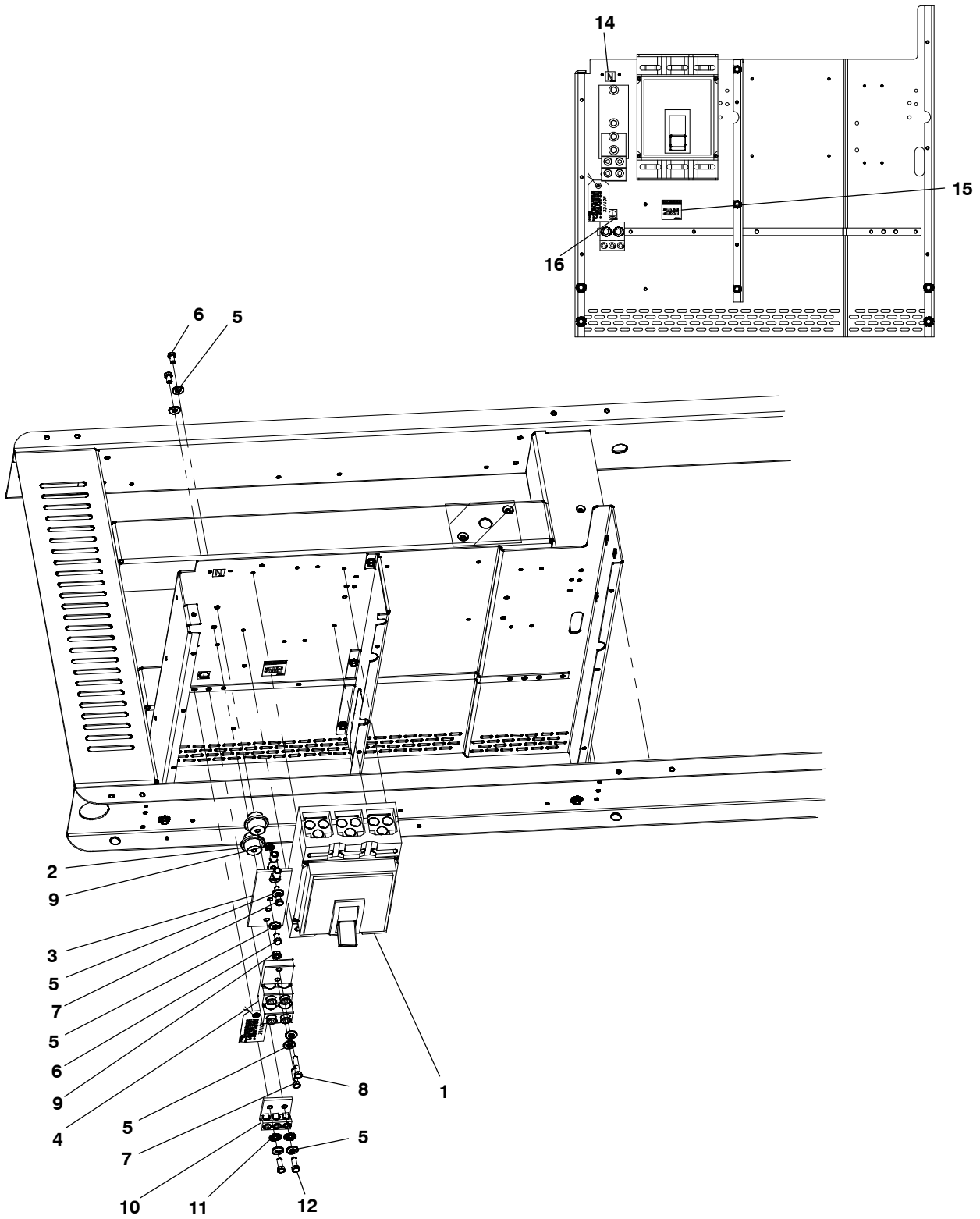
Circuit Breakers (800A) Position “A” (Right Side)



Circuit Breakers (800A) Position “A” (Right Side)

| Item | Part No. | Description | Qty |
|------|--------------|---|-----|
| 1 | A059R068 | Box, Circuit Breaker | 1 |
| 2 | 0856-0006 | Washer, Lock | 3 |
| 3 | A054K391 | Breaker, Circuit – 800A – 80%, 100% LSI (P-Frame) | 1 |
| 4 | 0851-0027 | Washer | 4 |
| 5 | 0332-2744-02 | Standoff, Insulator | 2 |
| 6 | 0851-0022 | Washer | 12 |
| 7 | 0800-0310-33 | Screw, Hex Head | 3 |
| 8 | A054N340 | Busbar, Breaker | 1 |
| 9 | A054E620 | Lug, Terminal | 1 |
| 10 | 0800-0310-38 | Screw, Hex Head | 1 |
| 11 | 0800-0310-39 | Screw, Hex Head | 1 |
| 12 | 0870-0550-09 | Nut, Hex Flange | 3 |
| 13 | A059P181 | Panel, Electrical | 1 |
| 14 | A054N187 | Busbar, Copper | 1 |
| 15 | 0800-0007 | Screw, Hex Head | 2 |
| 16 | A053Y430 | Connector | 1 |
| 17 | 0856-0010 | Washer, Lock | 6 |
| 18 | 0800-0310-36 | Screw, Hex Head | 7 |
| 19 | 0815-0857-02 | Screw, Hex Head | 3 |
| 20 | A052H541 | Edging | 1 |
| 21 | 0800-6524-02 | Screw, Hex Flange Head | 4 |
| 22 | 0800-0006 | Screw, Hex Head | 2 |
| 23 | A042N860 | Tie, Cable (Not Shown) | 1 |
| 24 | A044H599 | Label, Neutral | 1 |
| 25 | A050G752 | Label, Marking | 1 |
| 26 | A044F269 | Label, Ground | 1 |
| 27 | A057L196 | Label, Marking | 1 |

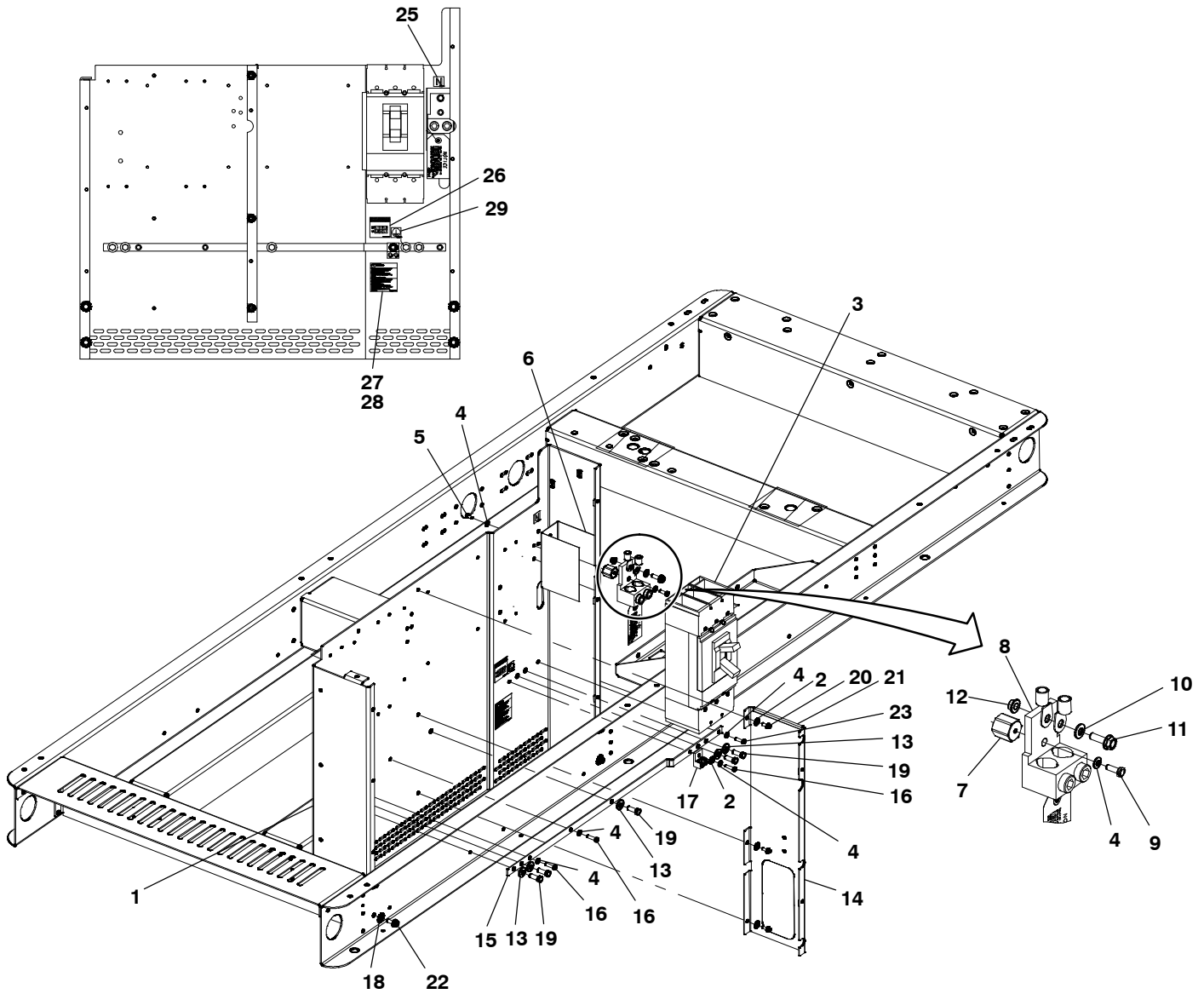
Circuit Breakers (800A) Position “B” (Center)



Circuit Breakers (800A) Position “B” (Center)

| Item | Part No. | Description | Qty |
|------|--------------|---|-----|
| 1 | A054K391 | Breaker, Circuit – 800A – 80%, 100% LSI (P-Frame) | 1 |
| 2 | 0332-2744-02 | Standoff, Insulator | 2 |
| 3 | A054N340 | Busbar, Breaker | 1 |
| 4 | A054E620 | Lug, Terminal | 1 |
| 5 | 0851-0022 | Washer | 9 |
| 6 | 0800-0310-33 | Screw, Hex Head | 3 |
| 7 | 0800-0310-38 | Screw, Hex Head | 2 |
| 8 | 0800-0310-39 | Screw, Hex Head | 1 |
| 9 | 0870-0550-09 | Nut, Hex Flange | 3 |
| 10 | A053Y430 | Connector | 2 |
| 11 | 0856-0010 | Washer, Lock | 2 |
| 12 | 0800-0310-36 | Screw, Hex Head | 4 |
| 13 | A042N860 | Tie, Cable (Not Shown) | 1 |
| 14 | A044H599 | Label, Neutral | 1 |
| 15 | A050G752 | Label, Marking | 1 |
| 16 | A044F269 | Label, Ground | 1 |

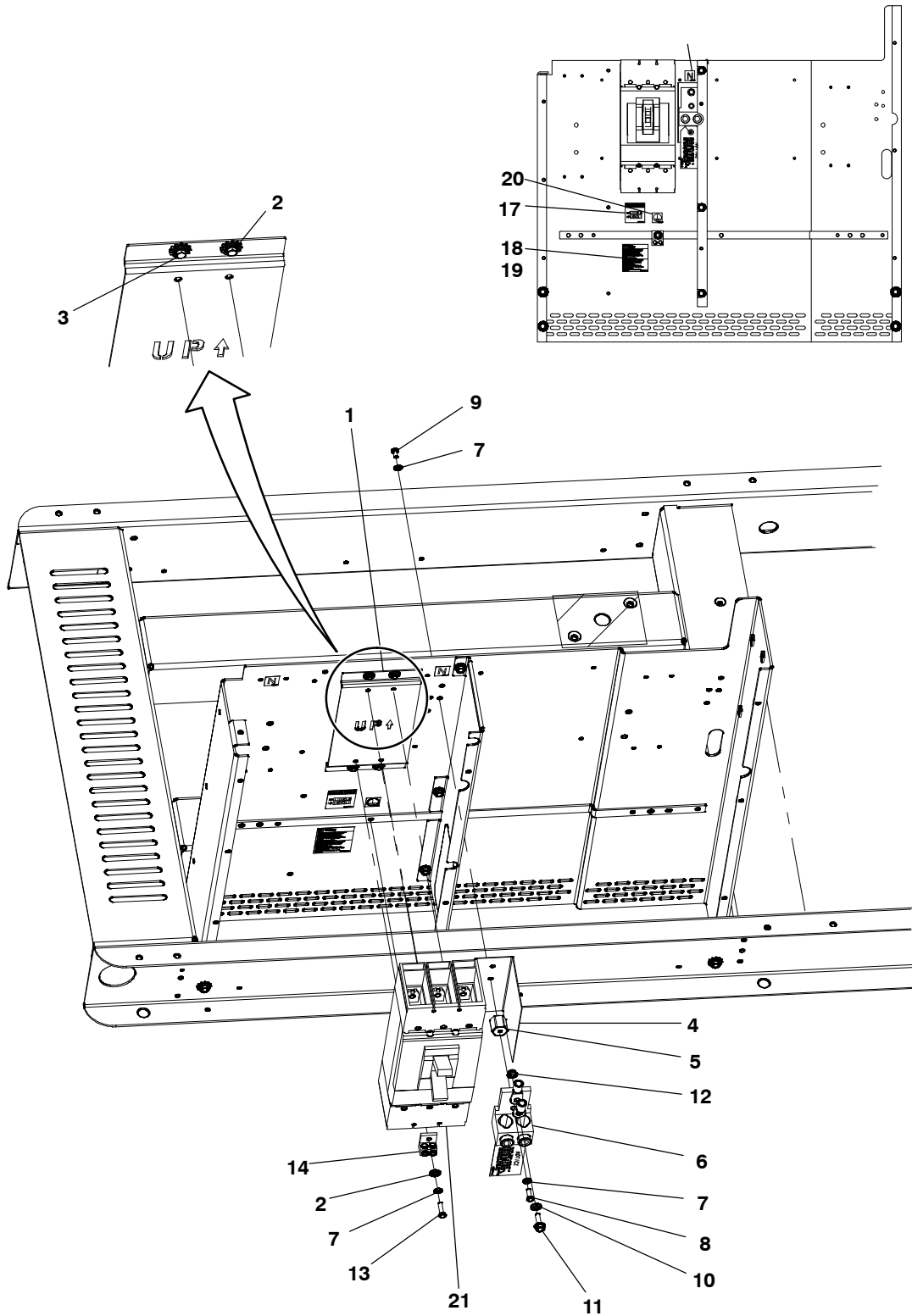
Circuit Breakers (400A–600A) Position “A” (Right Side)



Circuit Breakers (400A–600A) Position “A” (Right Side)

| Item | Part No. | Description | Qty |
|------|--------------|---------------------------|-----|
| 1 | A059R068 | Box, Circuit Breaker | 1 |
| 2 | 0856–0006 | Washer, Lock | 4 |
| 3 | | Breaker, Circuit | |
| | A045U169 | 400A – 80% LSI (L-Frame) | 1 |
| | A051D115 | 400A – 100% LSI (L-Frame) | 1 |
| | A045U164 | 600A – 80% LSI (L-Frame) | 1 |
| 4 | 0851–0027 | Washer | 6 |
| 5 | 0800–0003 | Screw, Hex Head | 1 |
| 6 | A050F602 | Barrier, Phase | 1 |
| 7 | 0332–3597 | Standoff, Insulator | 1 |
| 8 | A050R300 | Lug, Solderless | 1 |
| 9 | 0800–0005 | Screw, Hex Head | 1 |
| 10 | 0851–0028 | Washer | 1 |
| 11 | 0815–0954–03 | Screw, Flange Head | 1 |
| 12 | 0870–2055 | Nut, Flange Lock | 1 |
| 13 | 0851–0022 | Washer | 5 |
| 14 | A059P181 | Panel, Electrical | 1 |
| 15 | A054N187 | Busbar, Copper | 1 |
| 16 | 0800–0007 | Screw, Hex Head | 3 |
| 17 | A053Y432 | Lug | 1 |
| 18 | 0856–0010 | Washer, Lock | 4 |
| 19 | 0800–0310–36 | Screw, Hex Head | 5 |
| 20 | 0815–0857–02 | Screw, Hex Head | 3 |
| 21 | A052H541 | Edging | 1 |
| 22 | 0800–6524–02 | Screw, Hex Flange Head | 4 |
| 23 | 0800–0006 | Screw, Hex Head | 1 |
| 24 | A042N860 | Tie, Cable (Not Shown) | 1 |
| 25 | A044H599 | Label, Neutral | 1 |
| 26 | A050G752 | Label, Marking | 1 |
| 27 | A050G754 | Label, Marking | 1 |
| 28 | A050V300 | Label, Marking | 1 |
| 29 | A044F269 | Label, Ground | 1 |

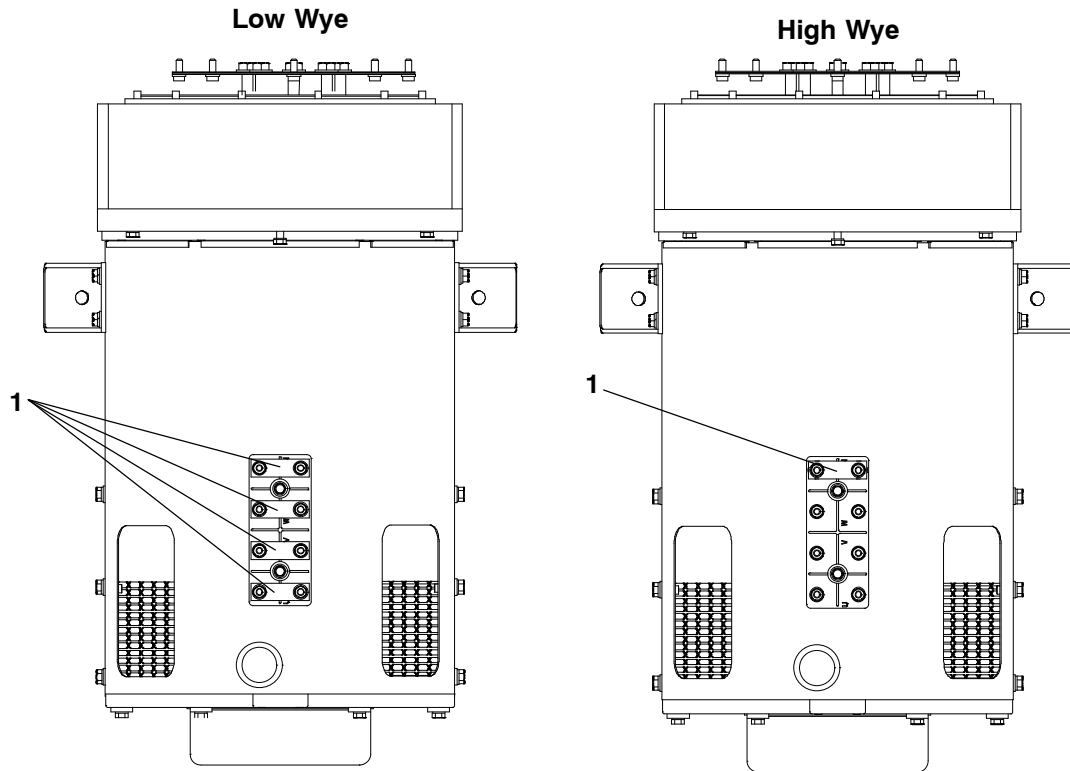
Circuit Breakers (400A–600A) Position “B” (Center)



Circuit Breakers (400A–600A) Position “B” (Center)

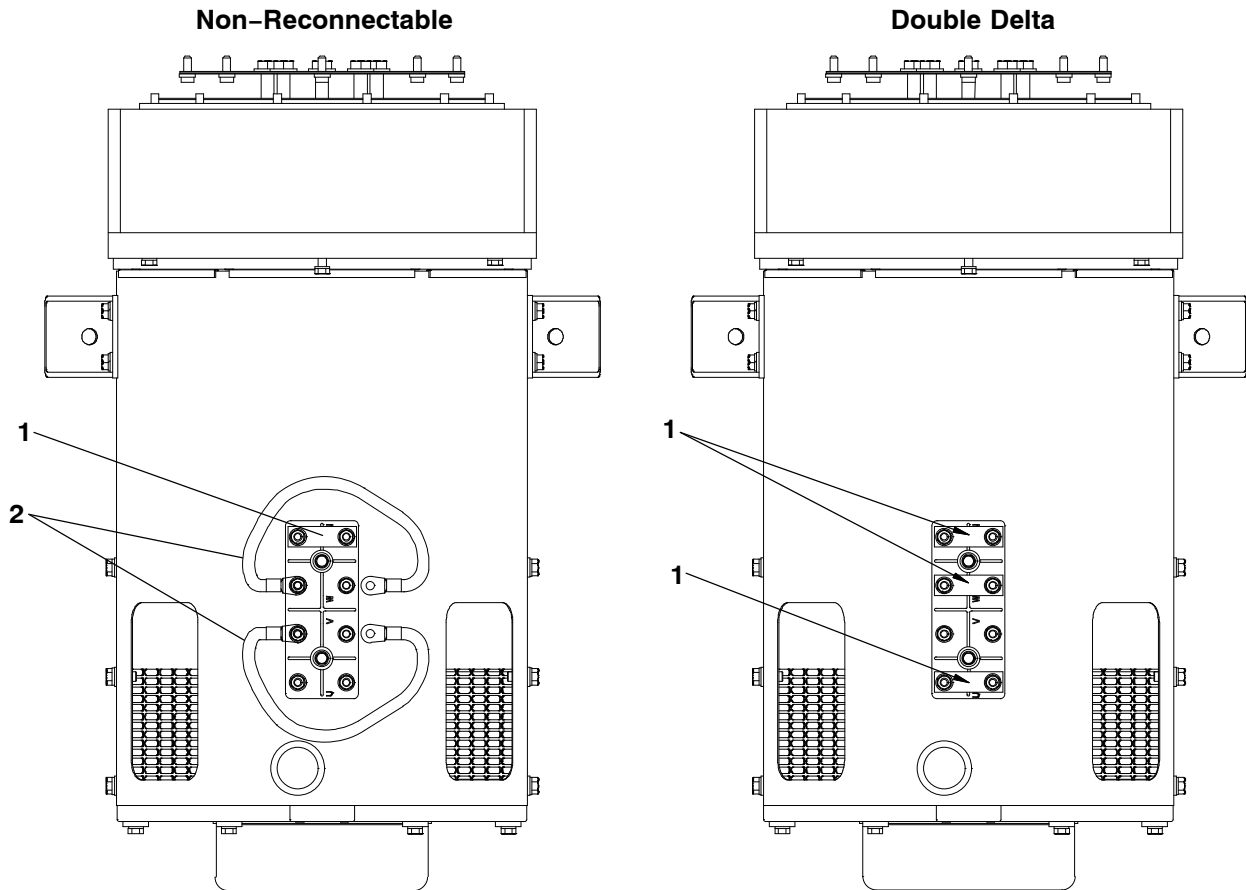
| Item | Part No. | Description | Qty |
|------|--------------|---------------------------|-----|
| 1 | A054N338 | Bracket, Circuit Breaker | 1 |
| 2 | 0856–0006 | Washer, Lock | 8 |
| 3 | 0821–6001–02 | Screw, Hex Head | 4 |
| 4 | A050F602 | Barrier, Phase | 1 |
| 5 | 0332–3597 | Standoff, Insulator | 1 |
| 6 | A050R300 | Lug, Solderless | 1 |
| 7 | 0851–0027 | Washer | 3 |
| 8 | 0800–0005 | Screw, Hex Head | 1 |
| 9 | 0800–0003 | Screw, Hex Head | 1 |
| 10 | 0851–0028 | Washer | 1 |
| 11 | 0815–0954–03 | Screw, Flange Head | 1 |
| 12 | 0870–2055 | Nut, Flange Lock | 1 |
| 13 | 0800–0007 | Screw, Hex Head | 1 |
| 14 | A053Y432 | Lug | 1 |
| 15 | A042N860 | Tie, Cable (Not Shown) | 1 |
| 16 | A044H599 | Label, Neutral | 1 |
| 17 | A050G752 | Label, Marking | 1 |
| 18 | A050G754 | Label, Marking | 1 |
| 19 | A054V300 | Label, Marking | 1 |
| 20 | A044F269 | Label, Ground | 1 |
| 21 | | Breaker, Circuit | |
| | A045U169 | 400A – 80% LSI (L-Frame) | 1 |
| | A051D115 | 400A – 100% LSI (L-Frame) | 1 |
| | A045U164 | 600A – 80% LSI (L-Frame) | 1 |

Leads



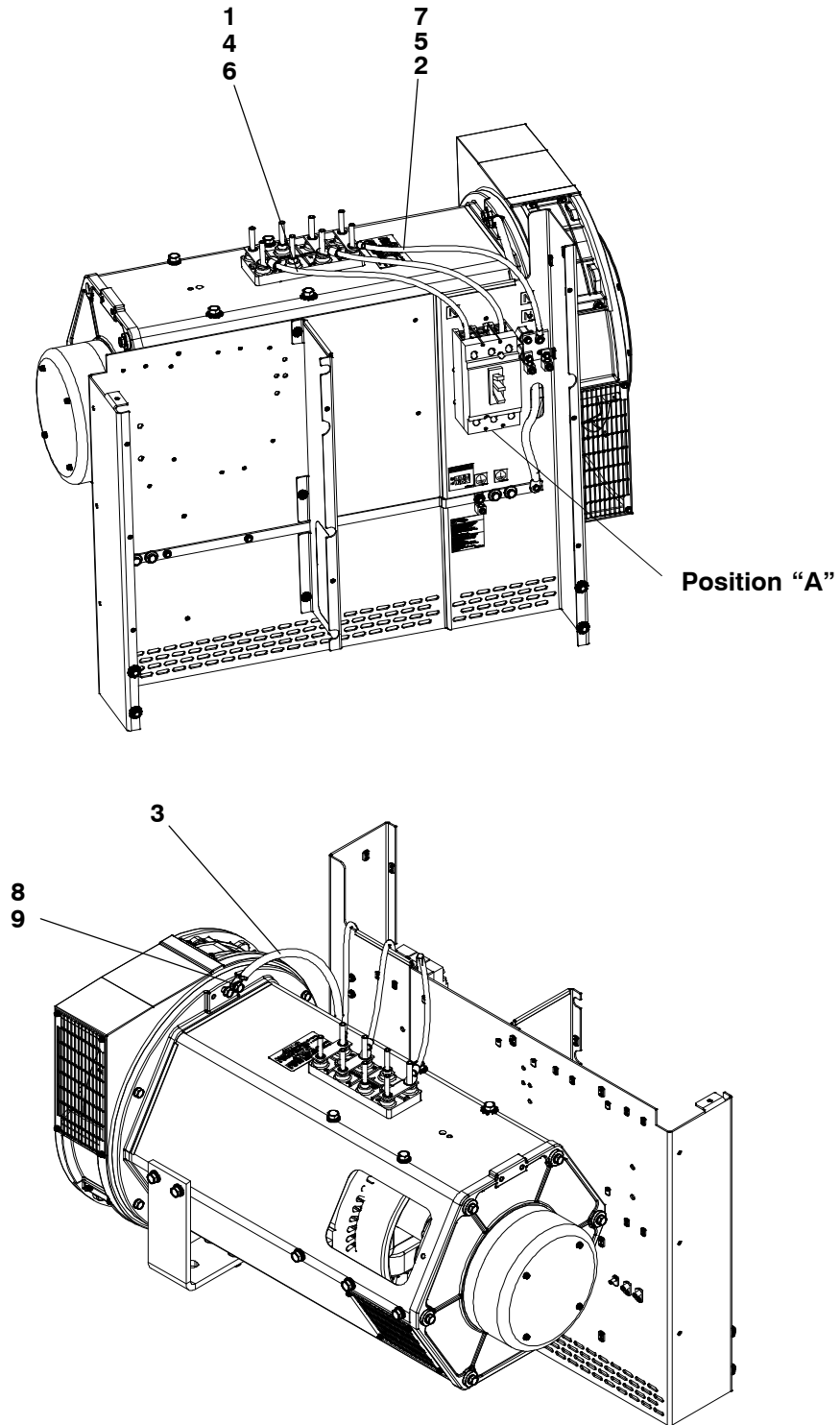
| Item | Part No. | Description | Qty |
|------|-----------|----------------|-----|
| 1 | | Link, Terminal | |
| | 330-10147 | Low Wye | 4 |
| | 330-10147 | High Wye | 1 |

Leads



| Item | Part No. | Description | Qty |
|------|-----------|----------------|-----|
| 1 | 0332-2987 | Link, Terminal | A/R |
| 2 | A050R842 | Lead | 2 |

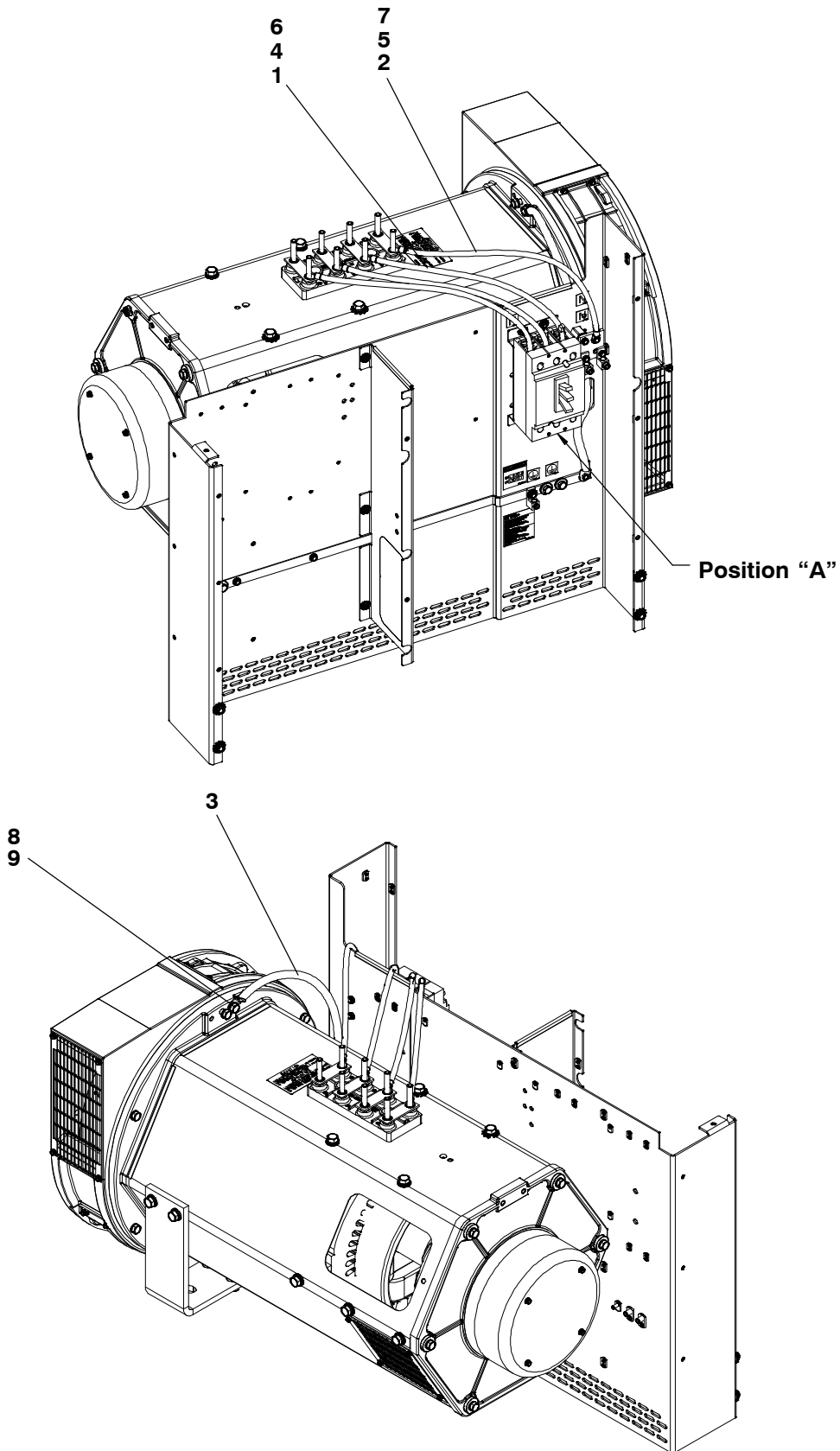
Leads – Single Breaker – 1 Phase (15–250A) Position “A”



Leads – Single Breaker – 1 Phase (15–250A) Position “A”

| Item | Part No. | Description | Qty |
|-------------|-----------------|------------------------|------------|
| 1 | A055N943 | Lead (15–100A) | 2 |
| 2 | A050R832 | Lead (15–100A) | 1 |
| 3 | A055N982 | Lead (15–250A) | 1 |
| 4 | A055N955 | Lead (125–175A) | 2 |
| 5 | A055N961 | Lead (125–175A) | 1 |
| 6 | A055N971 | Lead (200–250A) | 2 |
| 7 | A055N974 | Lead (200–250A) | 1 |
| 8 | 0800–3017–36 | Screw, Hex Head | 1 |
| 9 | 0526–0399–62 | Washer, Flat | 1 |
| 10 | 0526–0399–62 | Tie, Cable (Not Shown) | 6 |

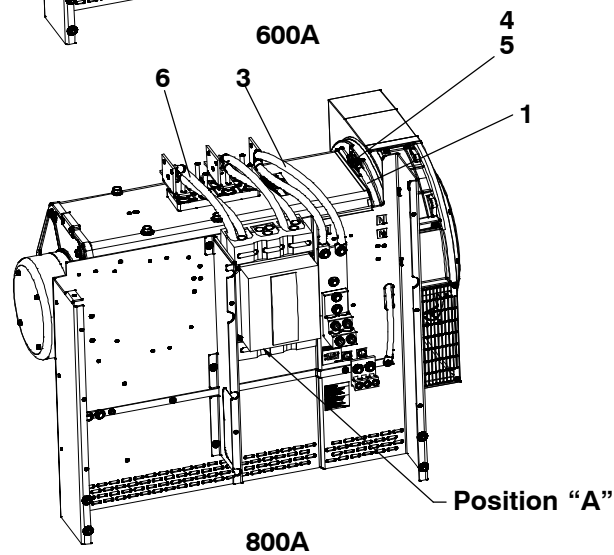
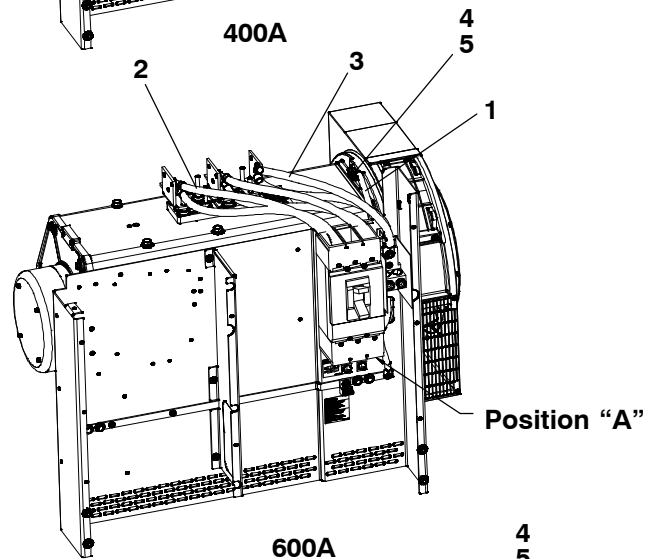
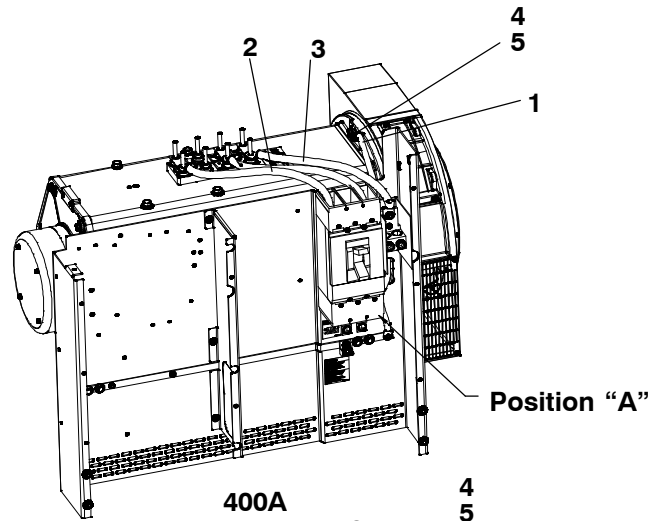
Leads – Single Breaker – 3 Phase (15–250A) Position “A”



Leads – Single Breaker – 3 Phase (15–250A) Position “A”

| Item | Part No. | Description | Qty |
|-------------|-----------------|--------------------|------------|
| 1 | A055N943 | Lead (15–100A) | 3 |
| 2 | A055R832 | Lead (15–100A) | 1 |
| 3 | A055N982 | Lead (15–250A) | 1 |
| 4 | A055N955 | Lead (125–175A) | 3 |
| 5 | A055N961 | Lead (125–175A) | 1 |
| 6 | A055N971 | Lead (200–250A) | 3 |
| 7 | A055N974 | Lead (200–250A) | 1 |
| 8 | 0800–3017–36 | Screw, Hex Head | 1 |
| 9 | 0526–0399–62 | Washer, Flat | 1 |

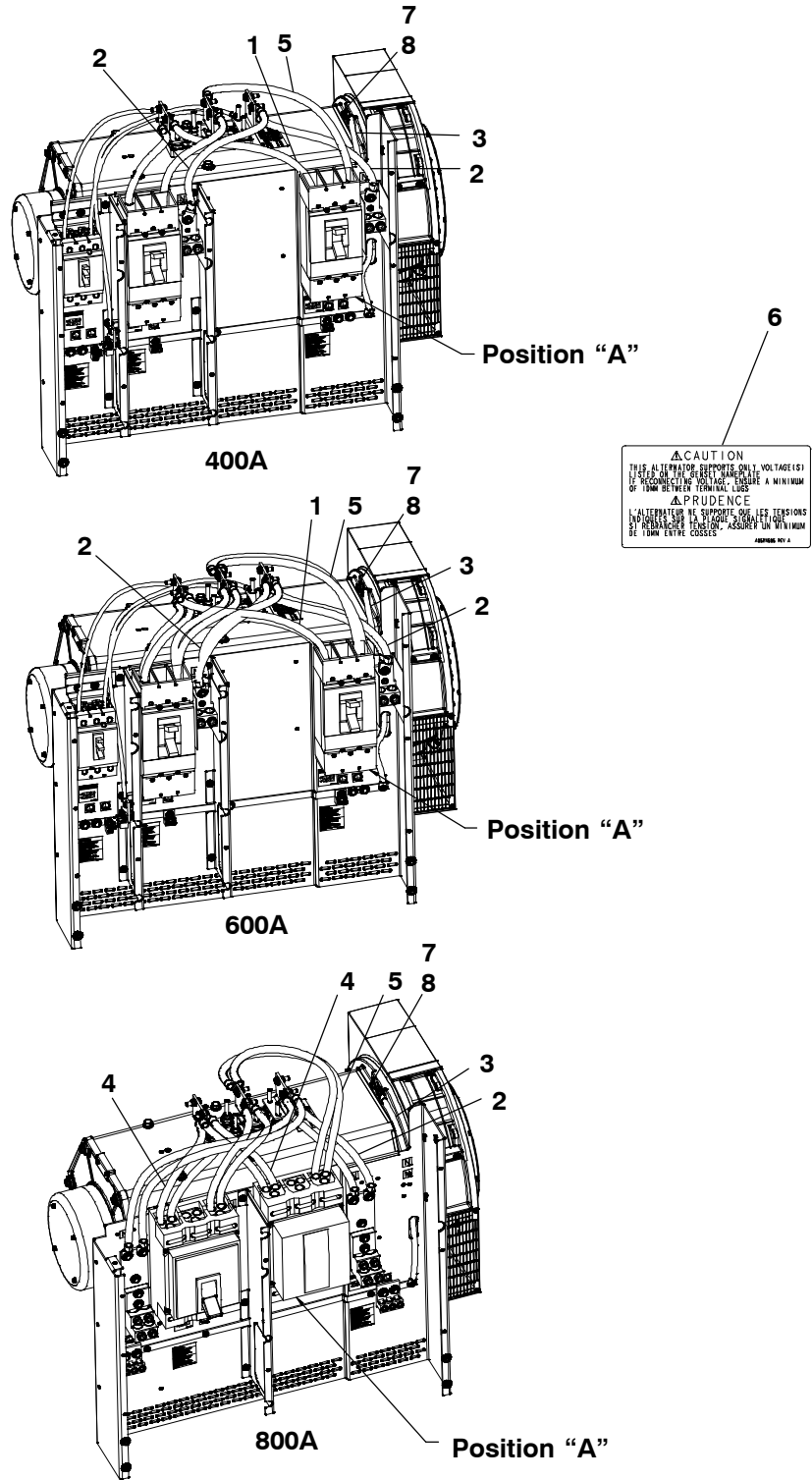
Leads – Single Breaker – 1 Phase (400–800A) Position “A”



Leads – Single Breaker – 1 Phase (400–800A) Position “A”

| Item | Part No. | Description | Qty |
|-------------|-----------------|-----------------------|------------|
| 1 | A055N982 | Lead (400, 600, 800A) | 1 |
| 2 | A055N979 | Lead (400, 600A) | A/R |
| 3 | A055N981 | Lead (400, 600, 800A) | A/R |
| 4 | 0800–3017–36 | Screw, Hex Head | 1 |
| 5 | 0526–0399–62 | Washer, Flat | 1 |
| 6 | A057A109 | Lead (800A) | 4 |

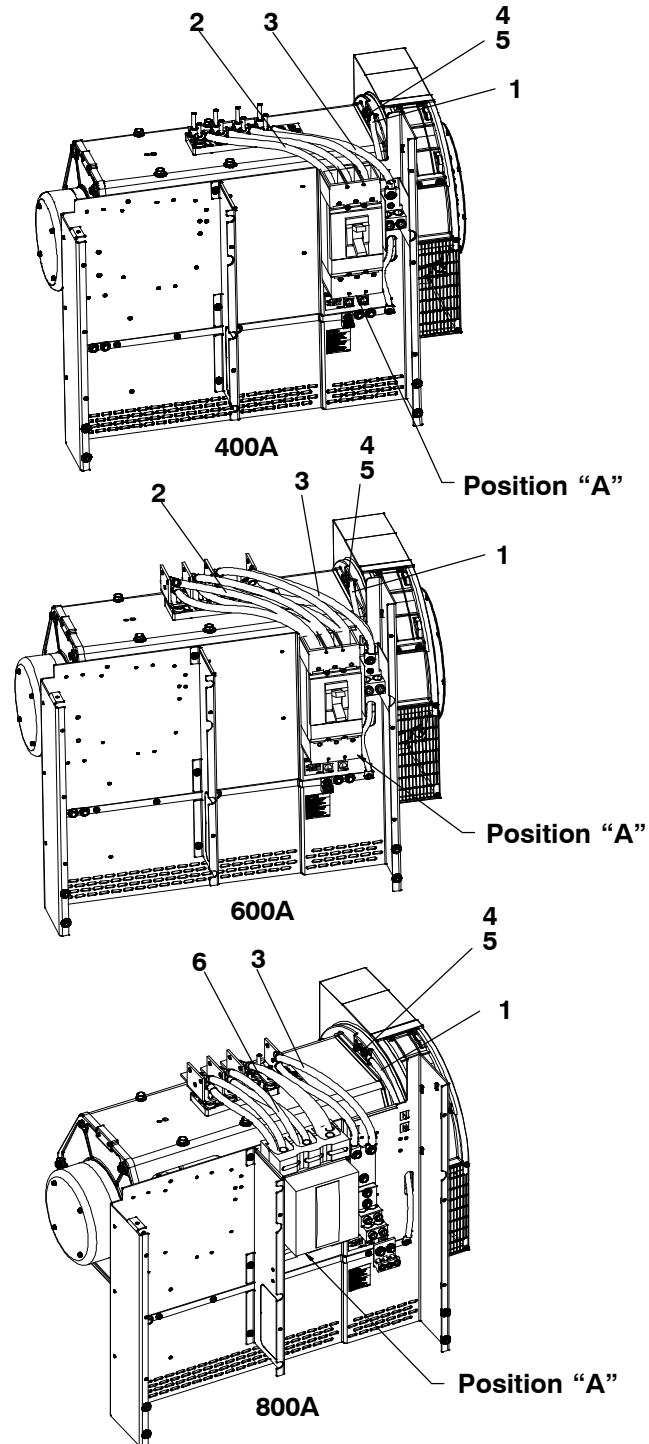
Leads – 1, 2, or 3 Breakers – 1 Phase (400–800A) Position “A”



Leads – 1, 2, or 3 Breakers – 1 Phase (400–800A) Position “A”

| Item | Part No. | Description | Qty |
|-------------|-----------------|-----------------------|------------|
| 1 | A055N979 | Lead (400, 600A) | A/R |
| 2 | A055N981 | Lead (400, 600, 800A) | A/R |
| 3 | A055N982 | Lead (400, 600, 800A) | 1 |
| 4 | A057A109 | Lead (800A) | 2 |
| 5 | A055N980 | Lead (400, 600, 800A) | A/R |
| 6 | A052N595 | Label, Information | 1 |
| 7 | 0526–0399–62 | Washer, Flat | 1 |
| 8 | 0800–3017–36 | Screw, Hex Head | 1 |

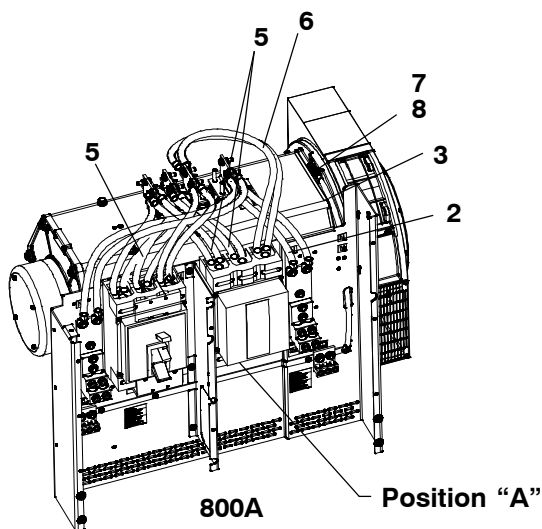
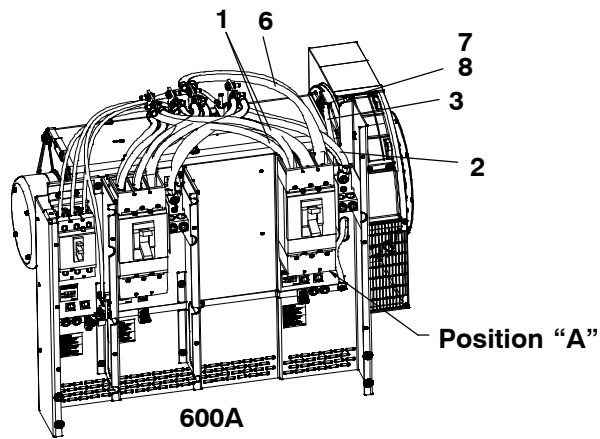
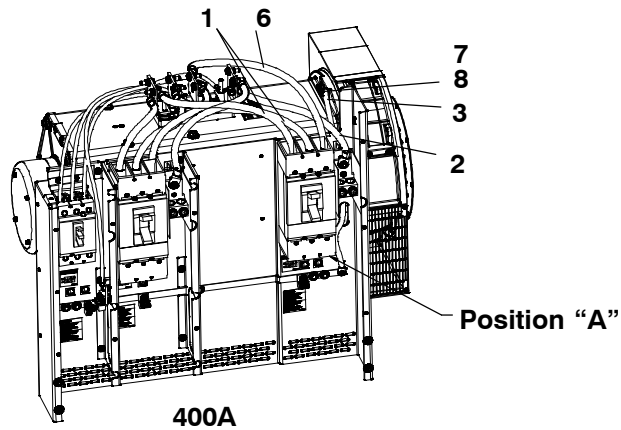
Leads – Single Breaker – 3 Phase (400–800A) Position “A”



Leads – Single Breaker – 3 Phase (400–800A) Position “A”

| Item | Part No. | Description | Qty |
|-------------|-----------------|-----------------------|------------|
| 1 | A055N982 | Lead (400, 600, 800A) | 1 |
| 2 | A055N979 | Lead (400, 600A) | A/R |
| 3 | A055N981 | Lead (400, 600, 800A) | A/R |
| 4 | 0800–3017–36 | Screw, Hex Head | 1 |
| 5 | 0526–0399–62 | Washer, Flat | 1 |
| 6 | A057A109 | Lead (800A) | 6 |

Leads – 2 or 3 Breakers – 3 Phase (400–800A) Position “A”



4

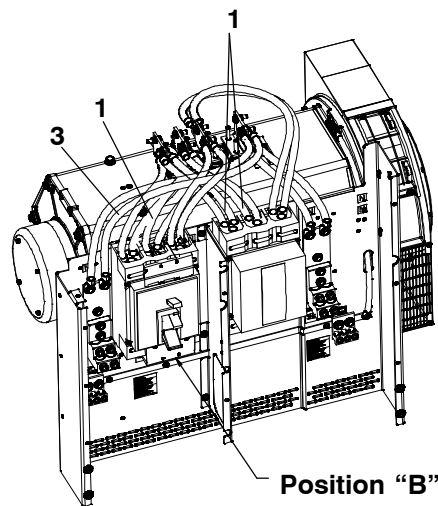
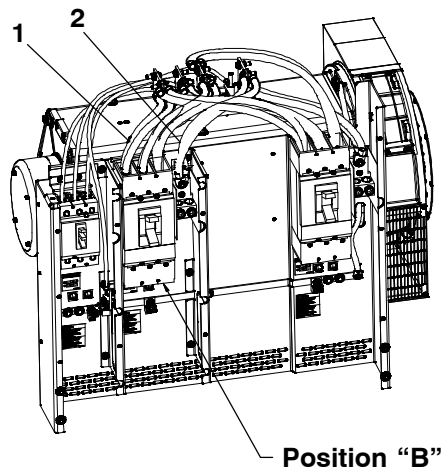
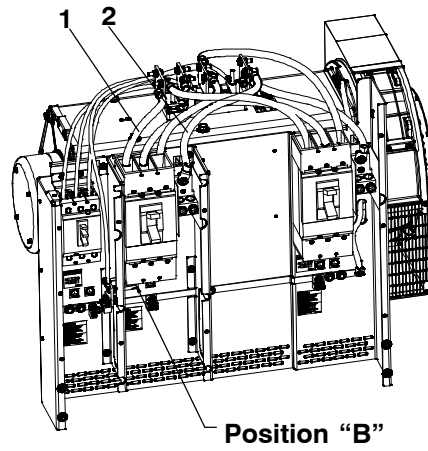
CAUTION
THIS ALTERNATOR SUPPORTS ONLY VOLTAGES LISTED ON THE DESSET NAMEPLATE.
IF RECONNECTING VOLTAGE, ENSURE A MINIMUM OF 1MM BETWEEN TERMINALS/US.
PRUDENCE
L'ALTERNATEUR NE SUPPORTE QUE LES TENSIONS INDIQUEES SUR LA PLaque SIGNALATION.
SI REBRANCHEZ TENSION, ASSUREZ UN MINIMUM DE 1MM ENTRE LES COUDES.

APPROVED BY #

Leads – 2 or 3 Breakers – 3 Phase (400–800A) Position “A”

| Item | Part No. | Description | Qty |
|-------------|-----------------|-----------------------|------------|
| 1 | A055N979 | Lead (400, 600A) | A/R |
| 2 | A055N981 | Lead (400, 600, 800A) | A/R |
| 3 | A055N982 | Lead (400, 600, 800A) | 1 |
| 4 | A052N595 | Label, Information | 1 |
| 5 | A057A109 | Lead (800A) | 4 |
| 6 | A055N980 | Lead (400, 600, 800A) | 2 |
| 7 | 0800–3017–36 | Screw, Hex Head | 1 |
| 8 | 0526–0399–62 | Washer, Flat | 1 |

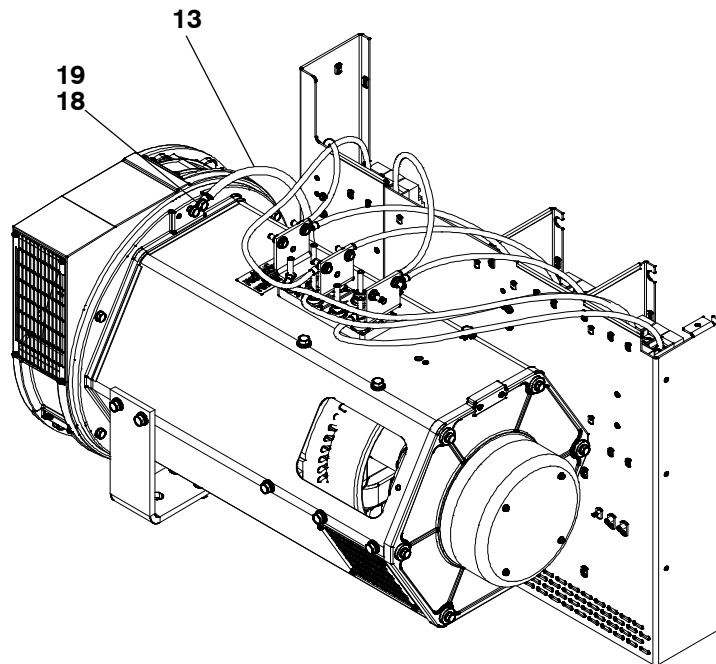
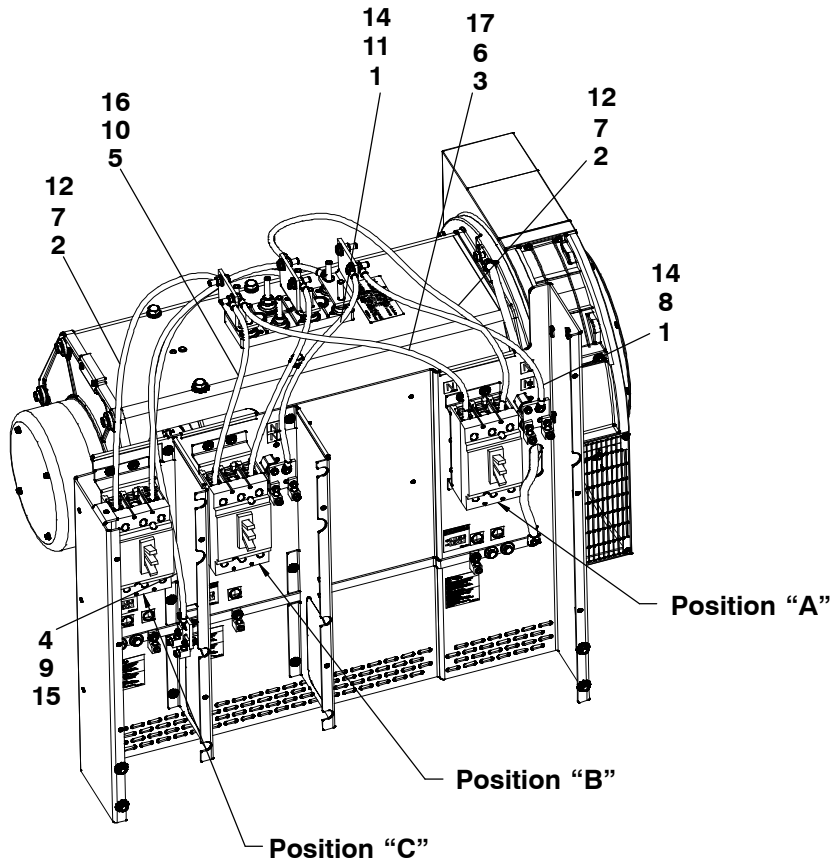
Leads – 2 or 3 Breakers – 3 Phase (400–800A) Position “B”



Leads – 2 or 3 Breakers – 3 Phase (400–800A) Position “B”

| Item | Part No. | Description | Qty |
|-------------|-----------------|-----------------------|------------|
| 1 | A057A109 | Lead (400, 600, 800A) | A/R |
| 2 | A057A110 | Lead (400, 600A) | A/R |
| 3 | A057A111 | Lead (800A) | 2 |

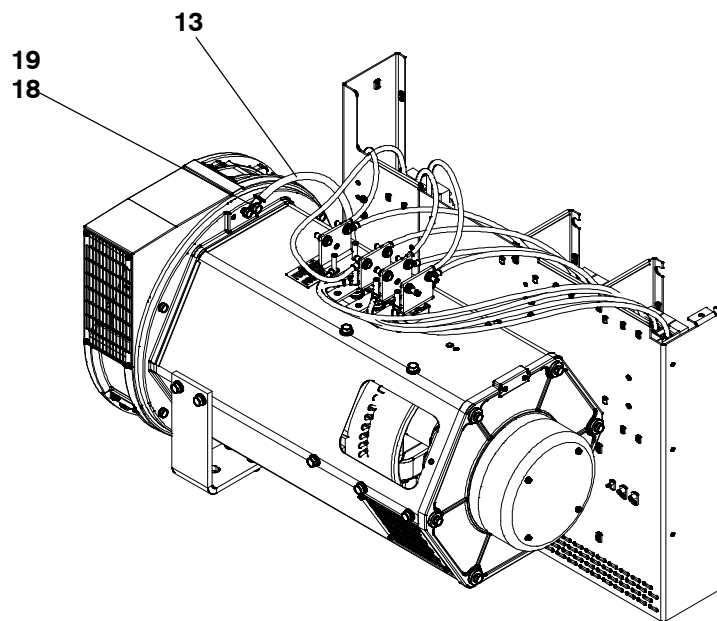
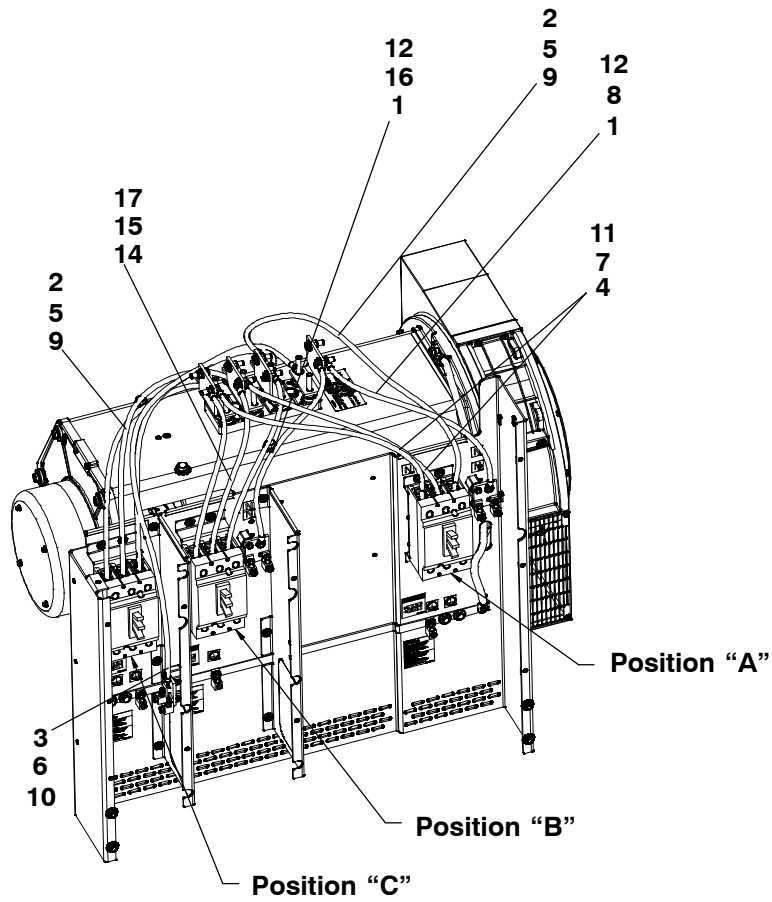
Leads – 1, 2, or 3 Breakers – 1 Phase (15–250A)



Leads – 1, 2, or 3 Breakers – 1 Phase (15–250A)

| Item | Part No. | Description | Qty |
|------|--------------|---------------------------------|-----|
| 1 | A050R832 | Lead (15–100A) (Position A, B) | 1 |
| 2 | A055N944 | Lead (15–100A) (Position A, C) | A/R |
| 3 | A055N943 | Lead (15–100A) (Position A) | 1 |
| 4 | A057A103 | Lead (15–100A) (Position C) | 1 |
| 5 | A050R838 | Lead (15–100A) (Position B) | 1 |
| 6 | A055N955 | Lead (125–175A) (Position A) | 1 |
| 7 | A055N958 | Lead (125–175A) (Position A, C) | A/R |
| 8 | A055N961 | Lead (125–175A) (Position A) | 1 |
| 9 | A057A105 | Lead (125–175A) (Position C) | 1 |
| 10 | A050R843 | Lead (125–175A) (Position B) | 2 |
| 11 | A050R842 | Lead (125–175A) (Position B) | 1 |
| 12 | A057A107 | Lead (200–250A) (Position A, C) | A/R |
| 13 | A055N982 | Lead (15–250A) (Position A) | 1 |
| 14 | A055N974 | Lead (200–250A) (Position A, B) | 1 |
| 15 | A057A108 | Lead (200–250A) (Position C) | 1 |
| 16 | A057A106 | Lead (200–250A) (Position B) | 2 |
| 17 | A055N971 | Lead (200–250A) (Position A) | 1 |
| 18 | 0526–0399–62 | Washer, Flat | 1 |
| 19 | 0800–3017–36 | Screw, Hex Head | 1 |

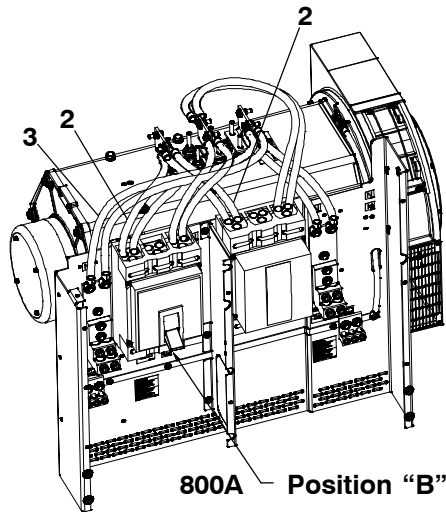
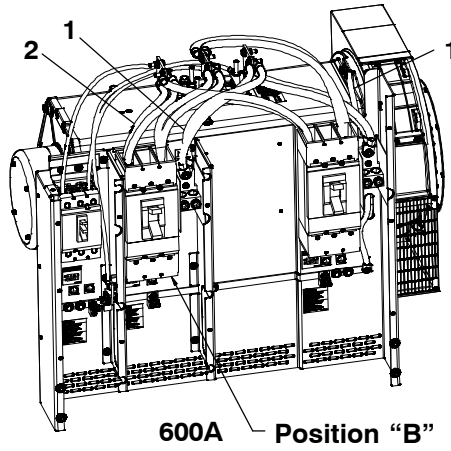
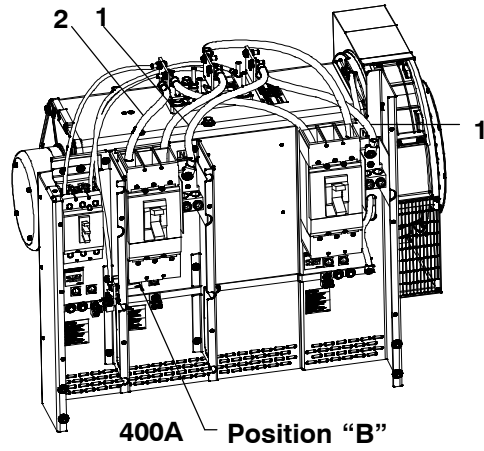
Leads – 2 or 3 Breakers – 3 Phase (15–250A)



Leads – 2 or 3 Breakers – 3 Phase (15–250A)

| Item | Part No. | Description | Qty |
|-------------|-----------------|---------------------------------|------------|
| 1 | A050R832 | Lead (15–100A) (Position A, B) | 1 |
| 2 | A055N944 | Lead (15–100A) (Position A, C) | A/R |
| 3 | A057A103 | Lead (15–100A) (Position C) | 1 |
| 4 | A055N943 | Lead (15–100A) (Position A) | 2 |
| 5 | A055N958 | Lead (125–175A) (Position A, C) | A/R |
| 6 | A057A105 | Lead (125–175A) (Position C) | 1 |
| 7 | A055N955 | Lead (125–175A) (Position A) | 2 |
| 8 | A055N961 | Lead (125–175A) (Position A) | 1 |
| 9 | A057A107 | Lead (200–250A) (Position A, C) | A/R |
| 10 | A057A108 | Lead (200–250A) (Position C) | 1 |
| 11 | A055N971 | Lead (200–250A) (Position A) | 2 |
| 12 | A055N974 | Lead (200–250A) (Position A, B) | 1 |
| 13 | A055N982 | Lead (15–250A) (Position A) | 1 |
| 14 | A050R838 | Lead (15–100A) (Position B) | 3 |
| 15 | A050R843 | Lead (125–175A) (Position B) | 3 |
| 16 | A050R842 | Lead (125–175A) (Position B) | 1 |
| 17 | A057A106 | Lead (200–250A) (Position B) | 3 |
| 18 | 0800–3017–36 | Screw, Hex Head | 1 |
| 19 | 0526–0399–62 | Washer, Flat | 1 |

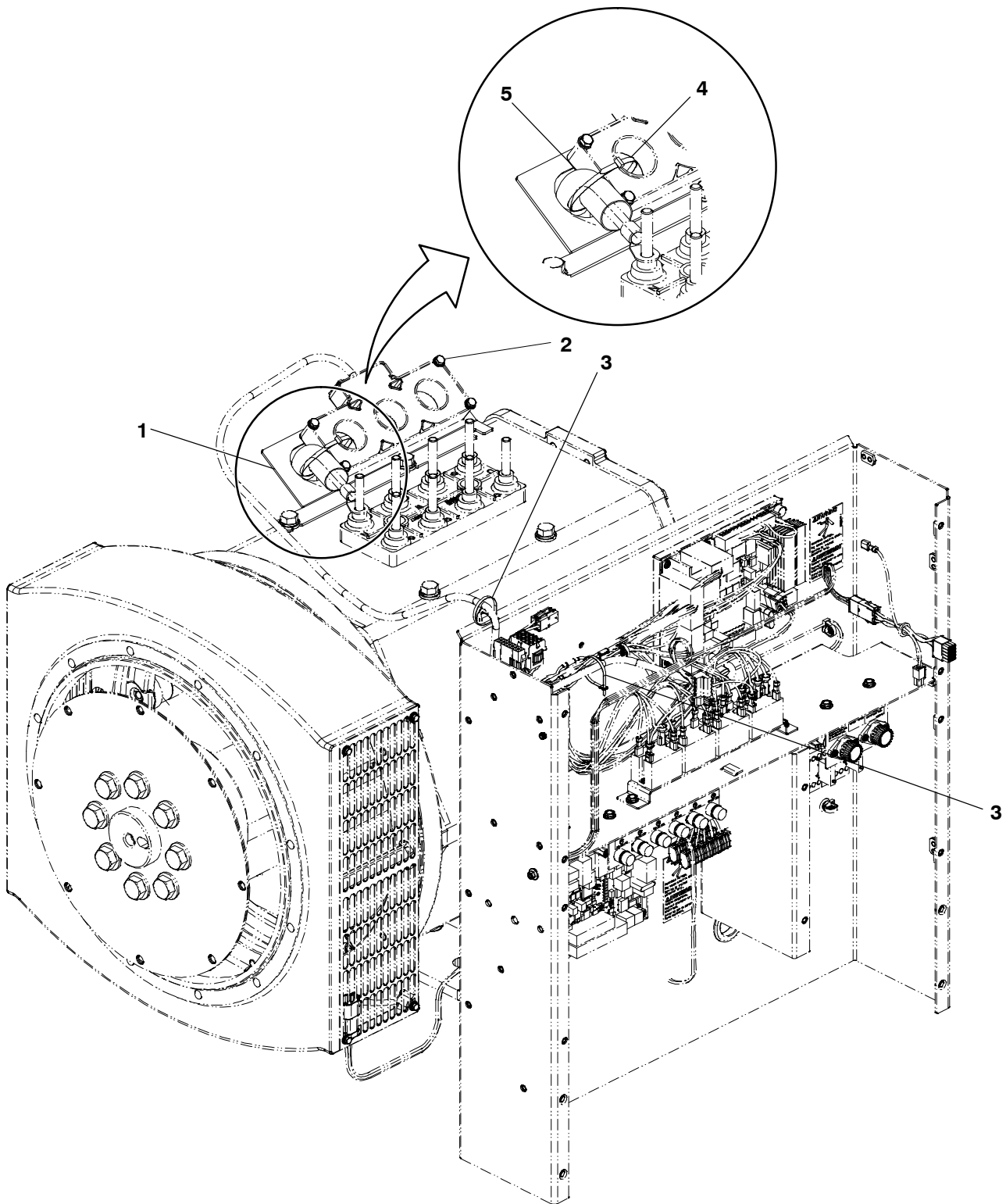
Leads – 1, 2, or 3 Breakers – 1 Phase (400–800A) Position “B”



Leads – 1, 2, or 3 Breakers – 1 Phase (400–800A) Position “B”

| Item | Part No. | Description | Qty |
|-------------|-----------------|-----------------------|------------|
| 1 | A055N981 | Lead (400, 600A) | A/R |
| 2 | A057A109 | Lead (400, 600, 800A) | A/R |
| 3 | A057A111 | Lead (800A) | 2 |

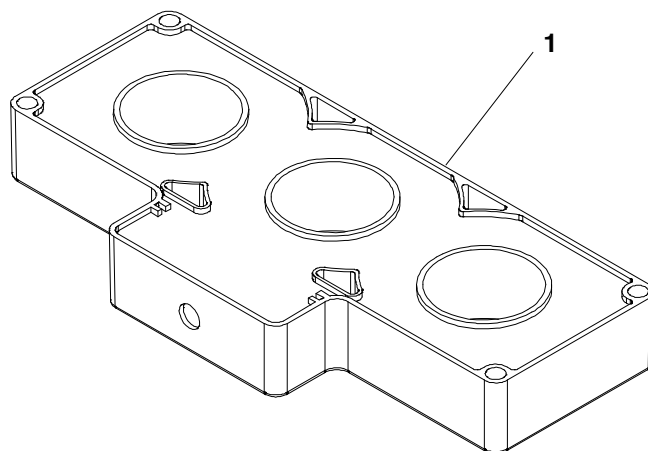
Current Transformer Mounting



Current Transformer Mounting

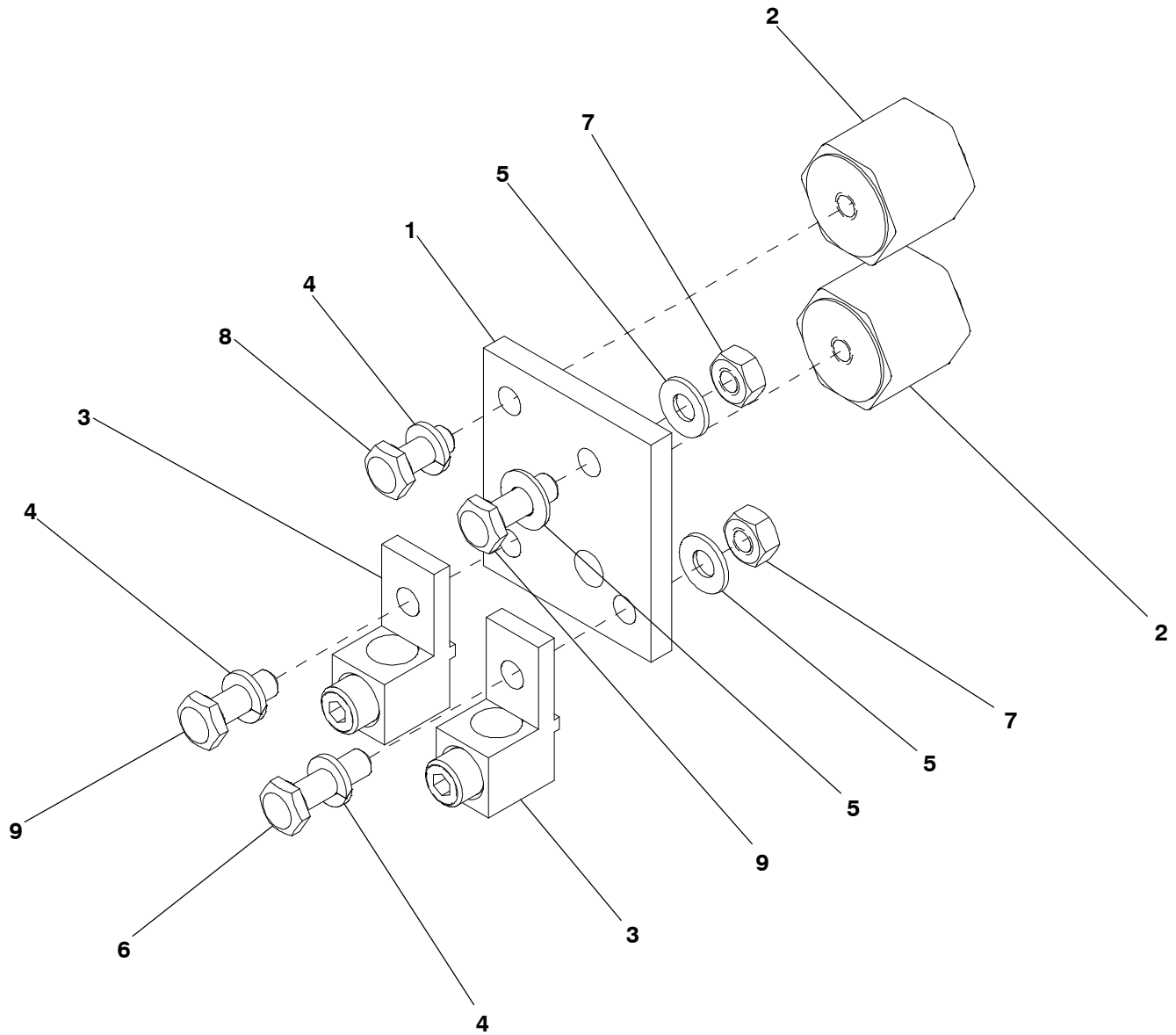
| Item | Part No. | Description | Qty |
|------|--------------|-------------------|-----|
| 1 | | Bracket, Mounting | |
| | A052N209 | 334MM Wide | 1 |
| | A052N205 | 326MM Wide | 1 |
| 2 | 0821-6002-08 | Screw, Hex Head | 4 |
| 3 | 0332-1794 | Tie, Cable | 2 |
| 4 | 0332-1389 | Tie, Cable | 1 |
| 5 | 0898-1389 | Sleeve, Braided | 1 |

Current Transformer



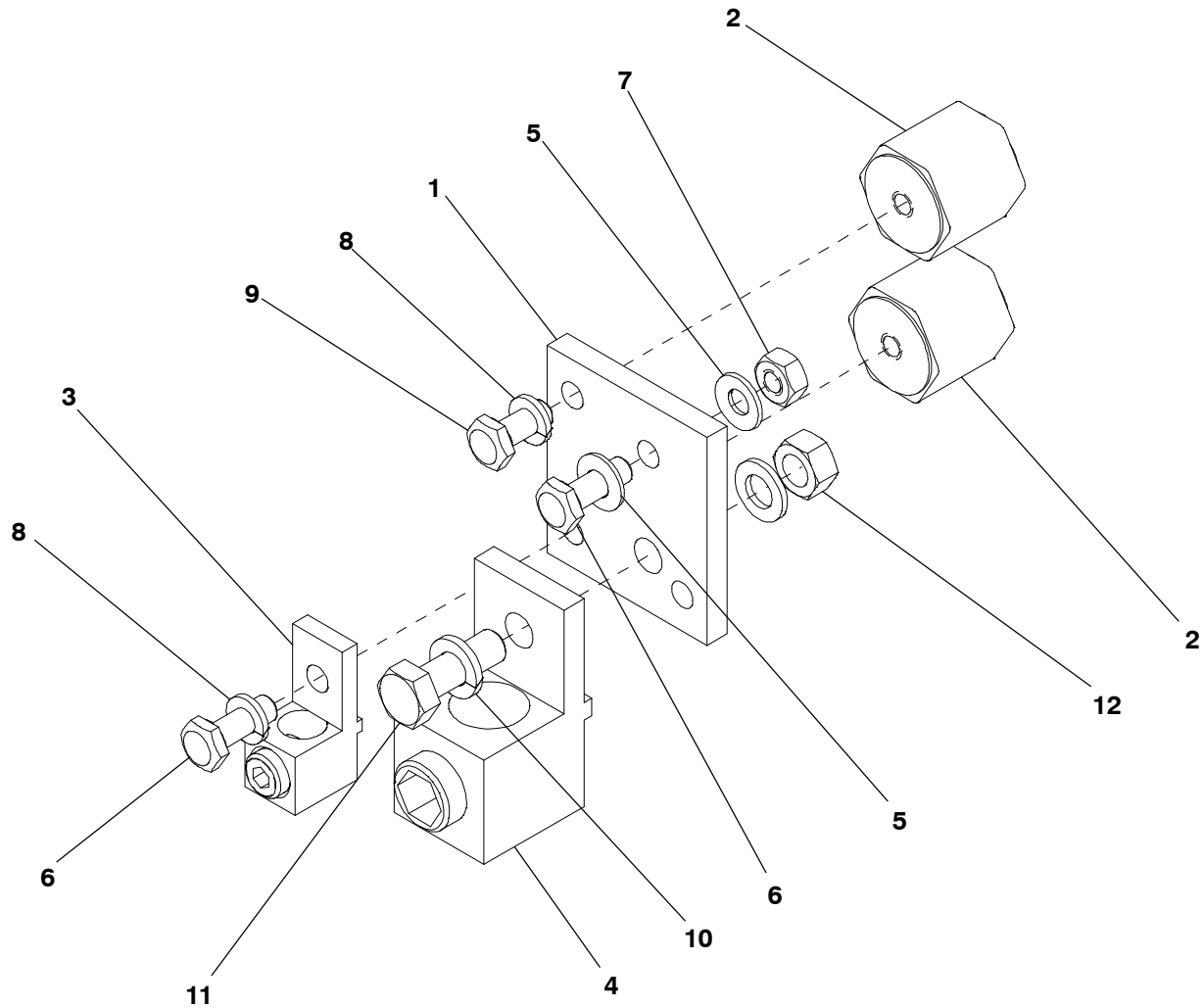
| Item | Part No. | Description | Qty |
|------|----------|--|-----|
| 1 | | Transformer, Current | |
| | A047V395 | CT Primary (A) 300/600 (C125N6D) | 3 |
| | A047V396 | CT Primary (A) 400/800 (C150N6D) | 3 |
| | A047V397 | CT Primary (A) 450/900 (C125N6D, C200N6D) | 3 |
| | A047V398 | CT Primary (A) 550/1100 (C150N6D) | 3 |
| | A047V399 | CT Primary (A) 650/1300 (C175N6D, C200D6D) | 3 |
| | A047V404 | CT Primary (A) 700/1400 (C200D6D) | 3 |

Neutral Bar



| Item | Part No. | Description | Qty |
|------|-----------|---------------------|-----|
| 1 | A050N784 | Busbar, Neutral | 1 |
| 2 | 0332-3597 | Standoff, Insulator | 2 |
| 3 | 0332-3084 | Lug, Solderless | 2 |
| 4 | 0850-2006 | Washer, Lock | 3 |
| 5 | 0851-0027 | Washer | 3 |
| 6 | 0800-0006 | Screw, Hex Head | 1 |
| 7 | 0862-0001 | Nut, Hex | 2 |
| 8 | 0800-0004 | Screw, Hex Head | 1 |
| 9 | 0800-0005 | Screw, Hex Head | 2 |

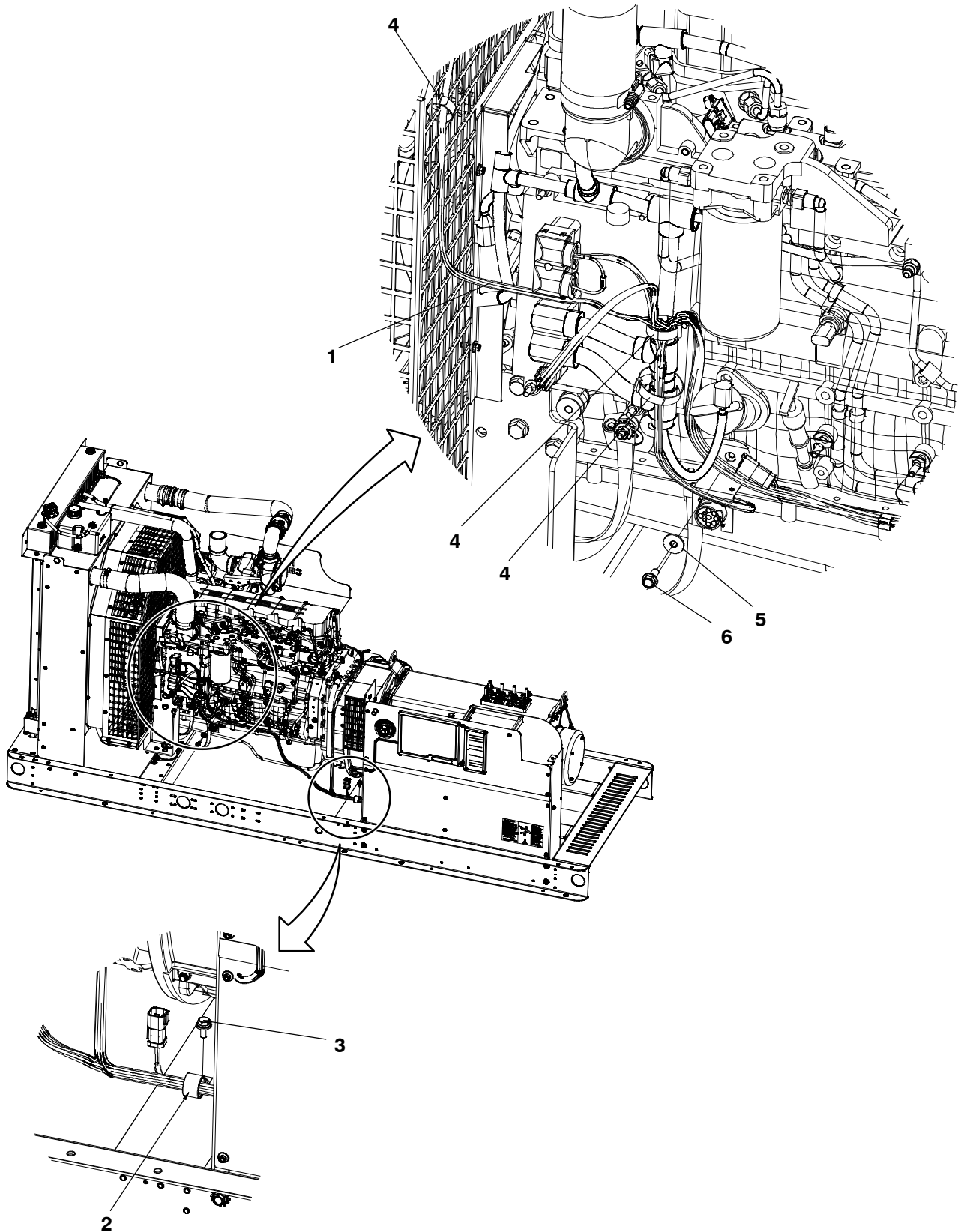
Neutral Bar



| Item | Part No. | Description | Qty |
|------|--------------|---------------------|-----|
| 1 | A050N784 | Busbar, Neutral | 1 |
| 2 | 0332-3597 | Standoff, Insulator | 2 |
| 3 | 0332-3084 | Lug, Solderless | 1 |
| 4 | A047D352 | Lug, Solderless | 1 |
| 5 | 0851-0027 | Washer | 2 |
| 6 | 0800-0005 | Screw, Hex Head | 2 |
| 7 | 0862-0001 | Nut, Hex | 1 |
| 8 | 0850-2006 | Washer, Lock | 2 |
| 9 | 0800-0004 | Screw, Hex Head | 1 |
| 10 | 0850-2008 | Washer, Lock | 1 |
| 11 | 0800-3017-20 | Screw, Hex Head | 1 |
| 12 | 0750-1006 | Nut | 1 |

This page is Intentionally blank.

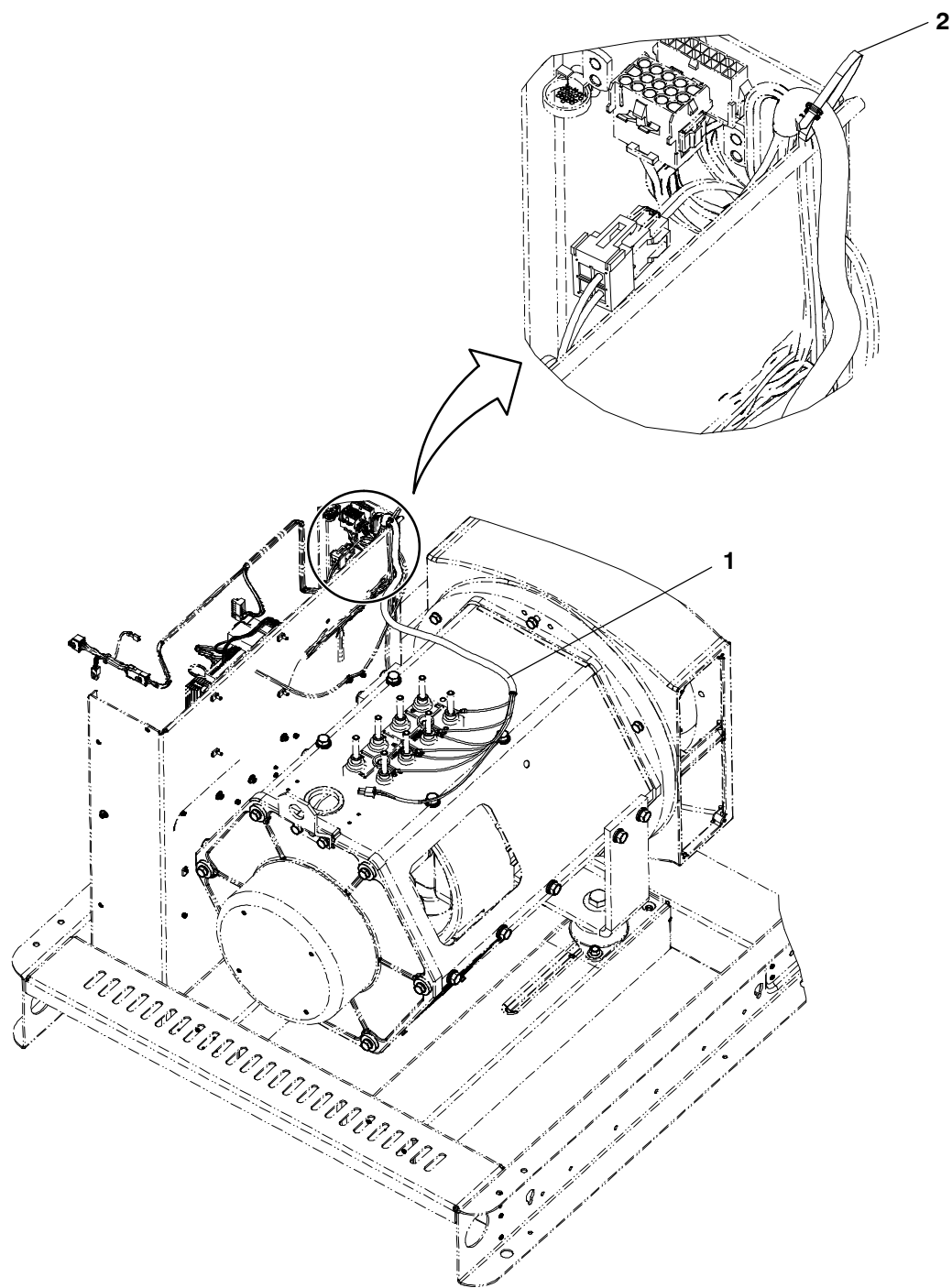
Engine Harness



Engine Harness

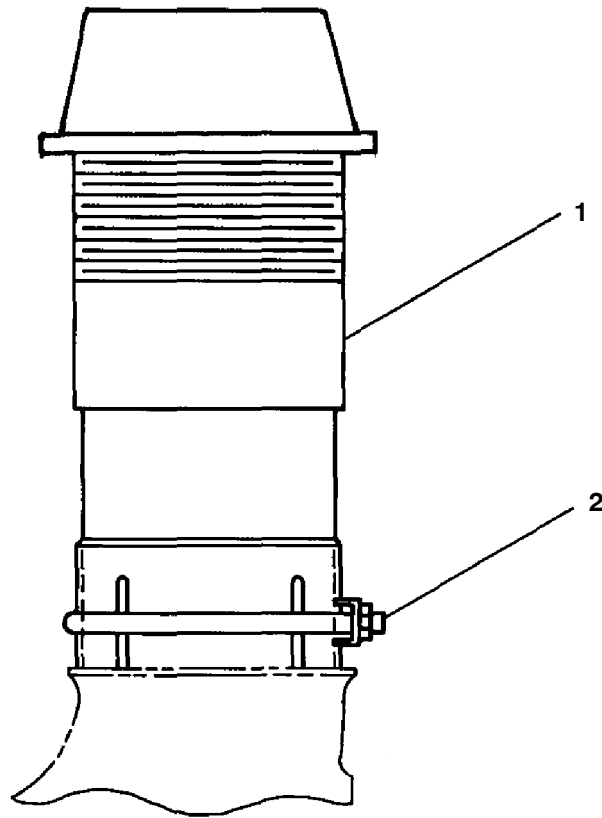
| Item | Part No. | Description | Qty |
|------|--------------|------------------------|-----|
| 1 | A053T310 | Harness, Engine | 1 |
| 2 | 0518-0703 | Clamp | 1 |
| 3 | 0821-6003-01 | Screw, Hex Head | 1 |
| 4 | A042N860 | Tie, Cable | 4 |
| 5 | 0526-0399-61 | Washer, Flat | 1 |
| 6 | 0800-6524-02 | Screw, Hex Flange Head | 1 |

AC Harness



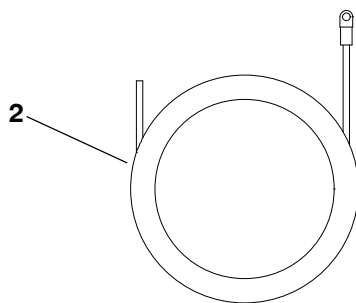
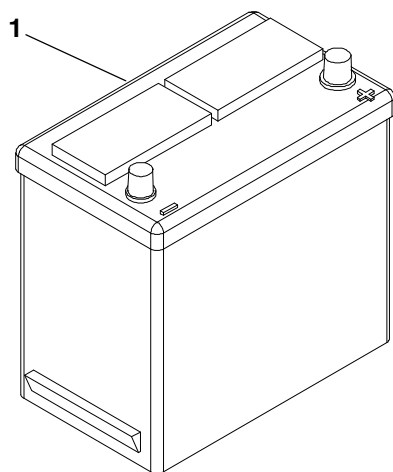
| Item | Part No. | Description | Qty |
|------|-----------|------------------------------|-----|
| 1 | A048C835 | Harness, Alternating Current | 1 |
| 2 | 0332-1794 | Tie, Cable | 1 |

Exhaust Adapter



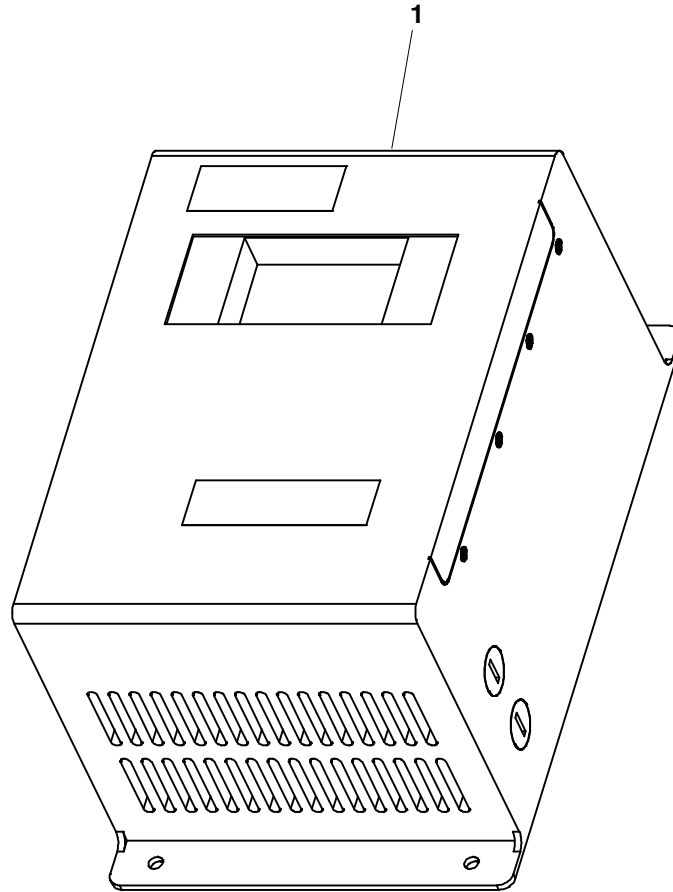
| Item | Part No. | Description | Qty |
|------|-----------|------------------|-----|
| 1 | 0155-2253 | Adapter, Exhaust | 1 |
| 2 | 0155-2175 | Clamp, Muffler | 1 |

Battery



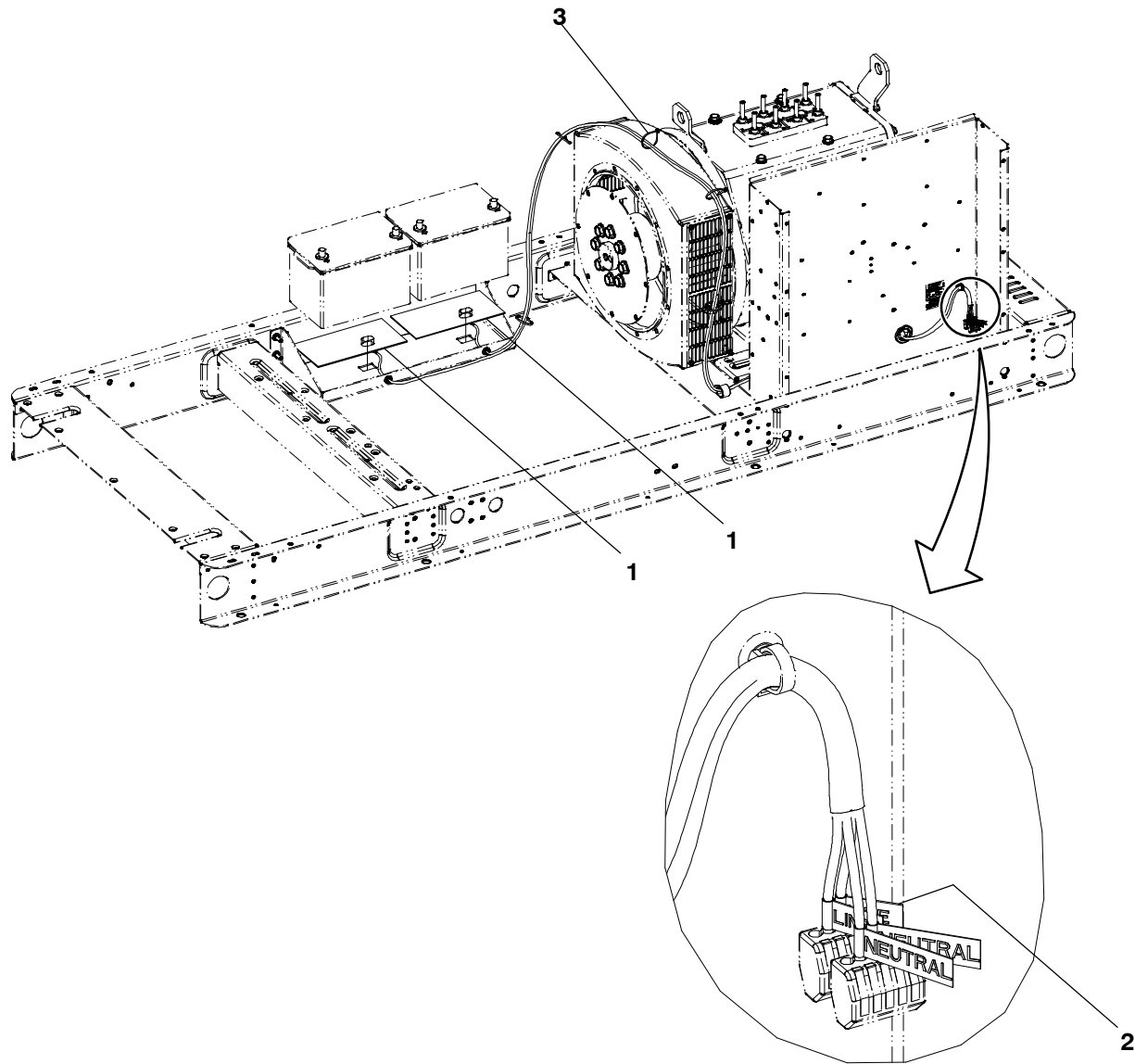
| Item | Part No. | Description | Qty |
|------|----------|----------------------------------|-----|
| 1 | A045P632 | Battery – 850 Cold Cranking Amps | 1 |
| 2 | A043D534 | Sensor, Temperature – Battery | 1 |

Battery Charger Kit



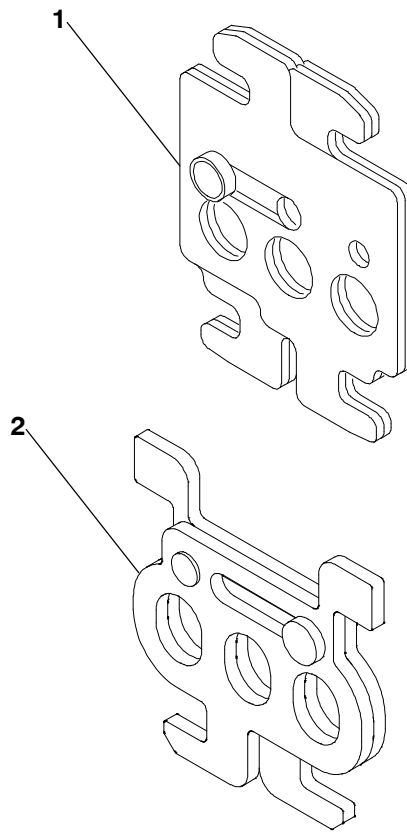
| Item | Part No. | Description | Qty |
|------|----------|------------------|-----|
| 1 | A048G602 | Charger, Battery | |

Battery Heater Kit



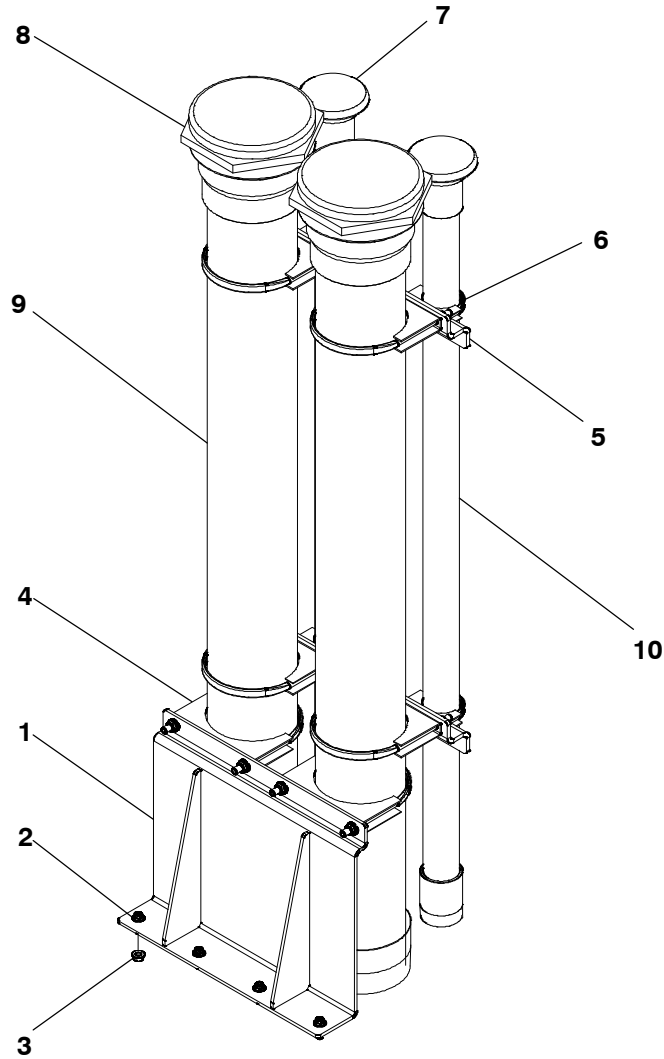
| Item | Part No. | Description | Qty |
|------|-----------|-----------------|-----|
| 1 | A045R833 | Heater, Battery | 2 |
| 2 | A046G477 | Label, Marking | 2 |
| 3 | 0332-1794 | Tie, Cable | 7 |

Plate Lock



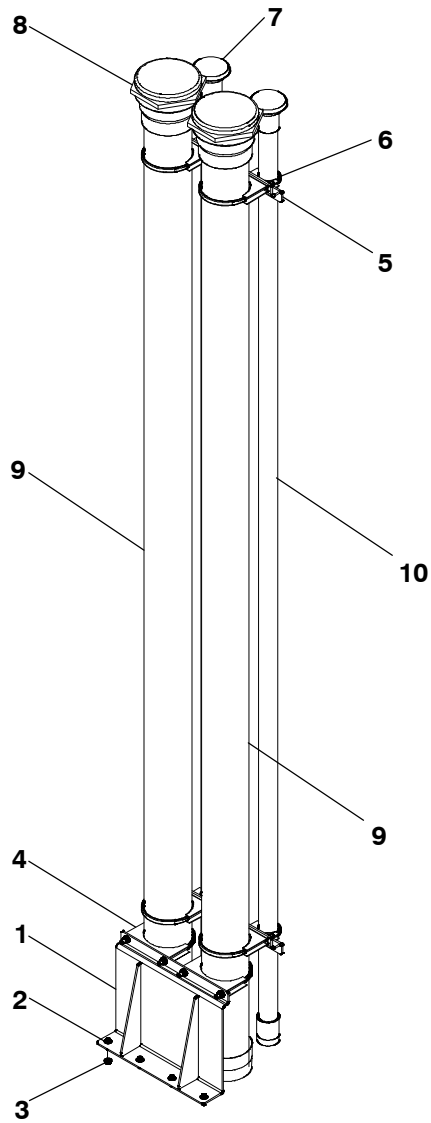
| Item | Part No. | Description | Qty |
|------|-----------|---|-----|
| 1 | 0406-1234 | Lock Out – Circuit Breaker (H, J, L Breakers) | 1 |
| 2 | A054Z037 | Lock Out – Circuit Breaker (P Breakers) | 1 |

Fuel System Kit – Vent Extension (4 FT, 5 IN Diameter)



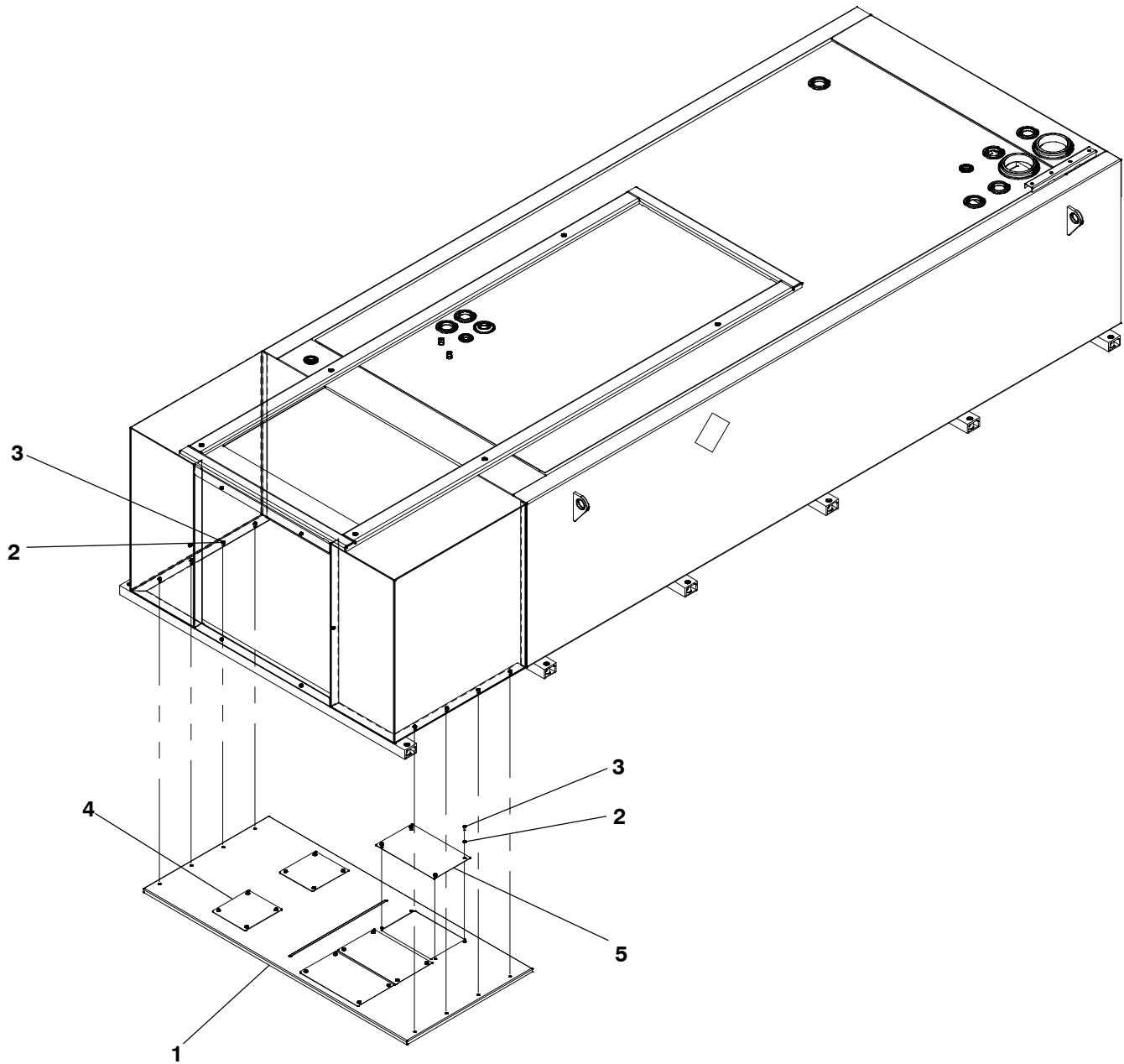
| Item | Part No. | Description | Qty |
|------|--------------|------------------------|-----|
| | A060M240 | Kit, Fuel System | 1 |
| 1 | A057C218 | Bracket, Support | 1 |
| 2 | A029H218 | Screw, Hex Flange Head | 4 |
| 3 | 0870-2065-03 | Nut, Hex Flange | 4 |
| 4 | A057B166 | Clamp, U Bolt | 6 |
| 5 | A057C510 | Bracket, Support | 2 |
| 6 | A047C748 | Clamp, U Bolt | 4 |
| 7 | 0159-1371-03 | Cap, Pressure | 2 |
| 8 | A057C851 | Vent, Fuel Tank | 2 |
| 9 | A060M237 | Tube, Vent | 2 |
| 10 | A060M236 | Tube, Vent | 2 |

Fuel System Kit – Vent Extension (10 FT, 5 IN Diameter)



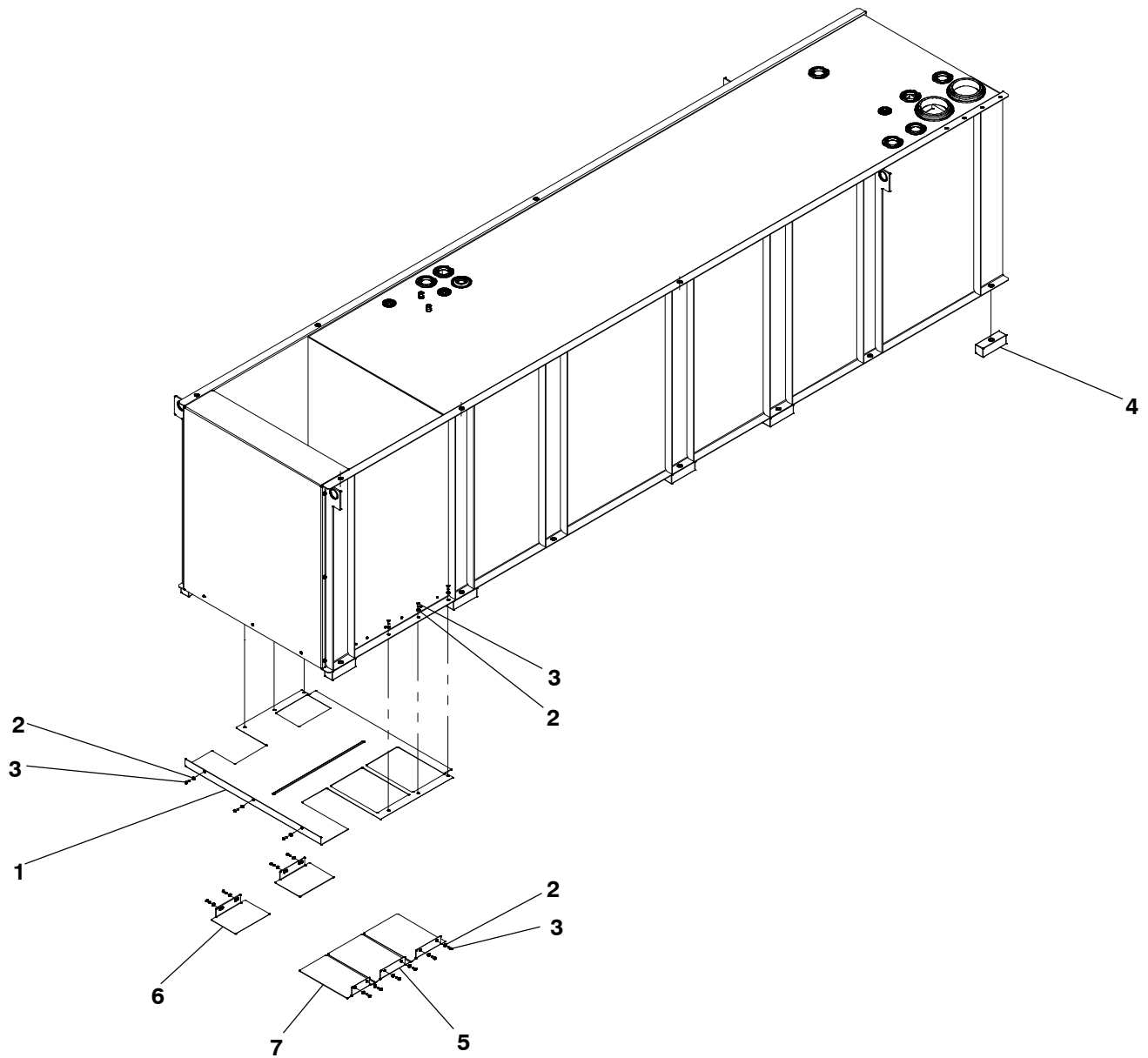
| Item | Part No. | Description | Qty |
|------|--------------|------------------------|-----|
| | A057C503 | Kit, Fuel System | 1 |
| 1 | A057C218 | Bracket, Support | 1 |
| 2 | A029H218 | Screw, Hex Flange Head | 4 |
| 3 | 0870-2065-03 | Nut, Hex Flange | 4 |
| 4 | A057B166 | Clamp, U Bolt | 6 |
| 5 | A057C510 | Bracket, Support | 2 |
| 6 | A047C748 | Clamp, U Bolt | 4 |
| 7 | 0159-1371-03 | Cap, Vent | 2 |
| 8 | A057C851 | Vent, Fuel Tank | 2 |
| 9 | A057B404 | Tube, Vent | 2 |
| 10 | A046K280 | Tube, Vent | 2 |

Fuel System Kit – Base Barrier



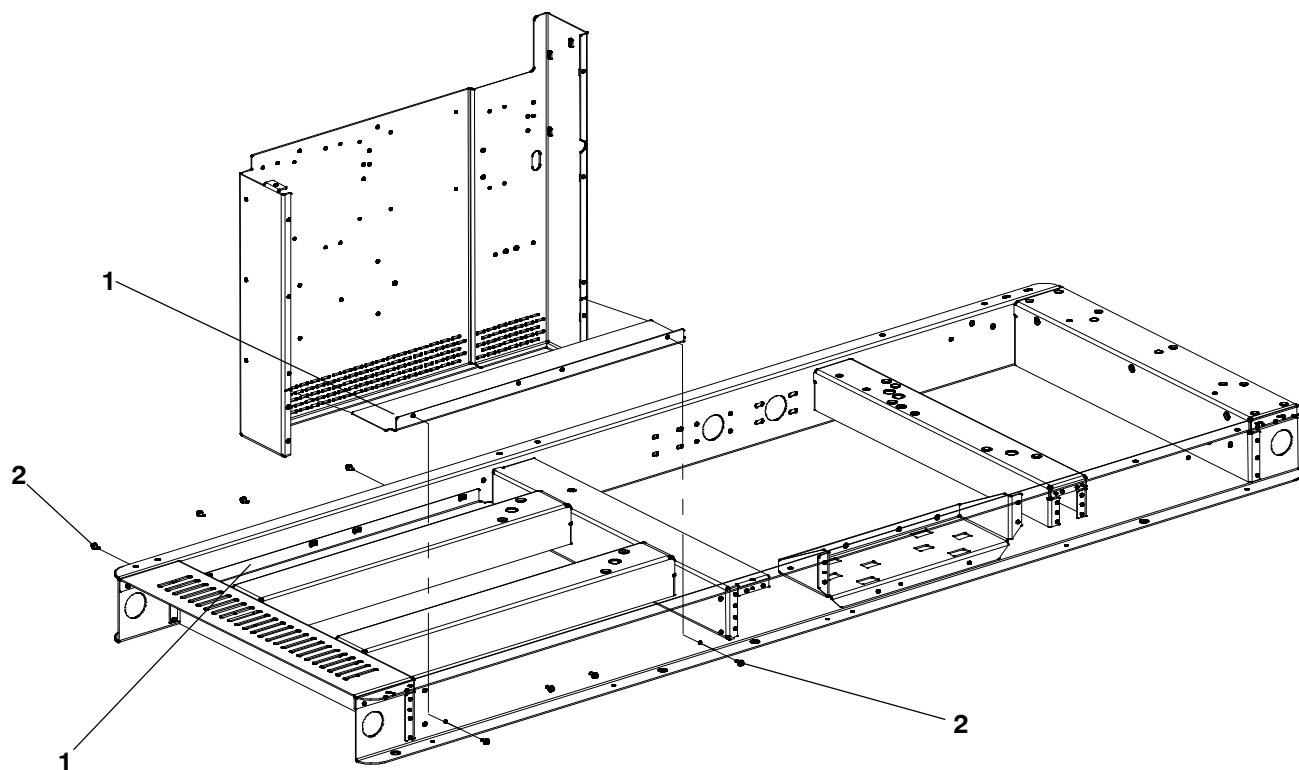
| Item | Part No. | Description | Qty |
|------|-----------|------------------|-----|
| | A057K739 | Kit, Fuel System | 1 |
| 1 | A057J657 | Barrier, Base | 1 |
| 2 | 0526-2081 | Washer, Flat | 28 |
| 3 | 0800-2033 | Screw, Hex Head | 28 |
| 4 | A057J840 | Cover, Plate | 2 |
| 5 | A060H237 | Cover, Plate | 3 |

Fuel System Kit – Fuel Tank Risers



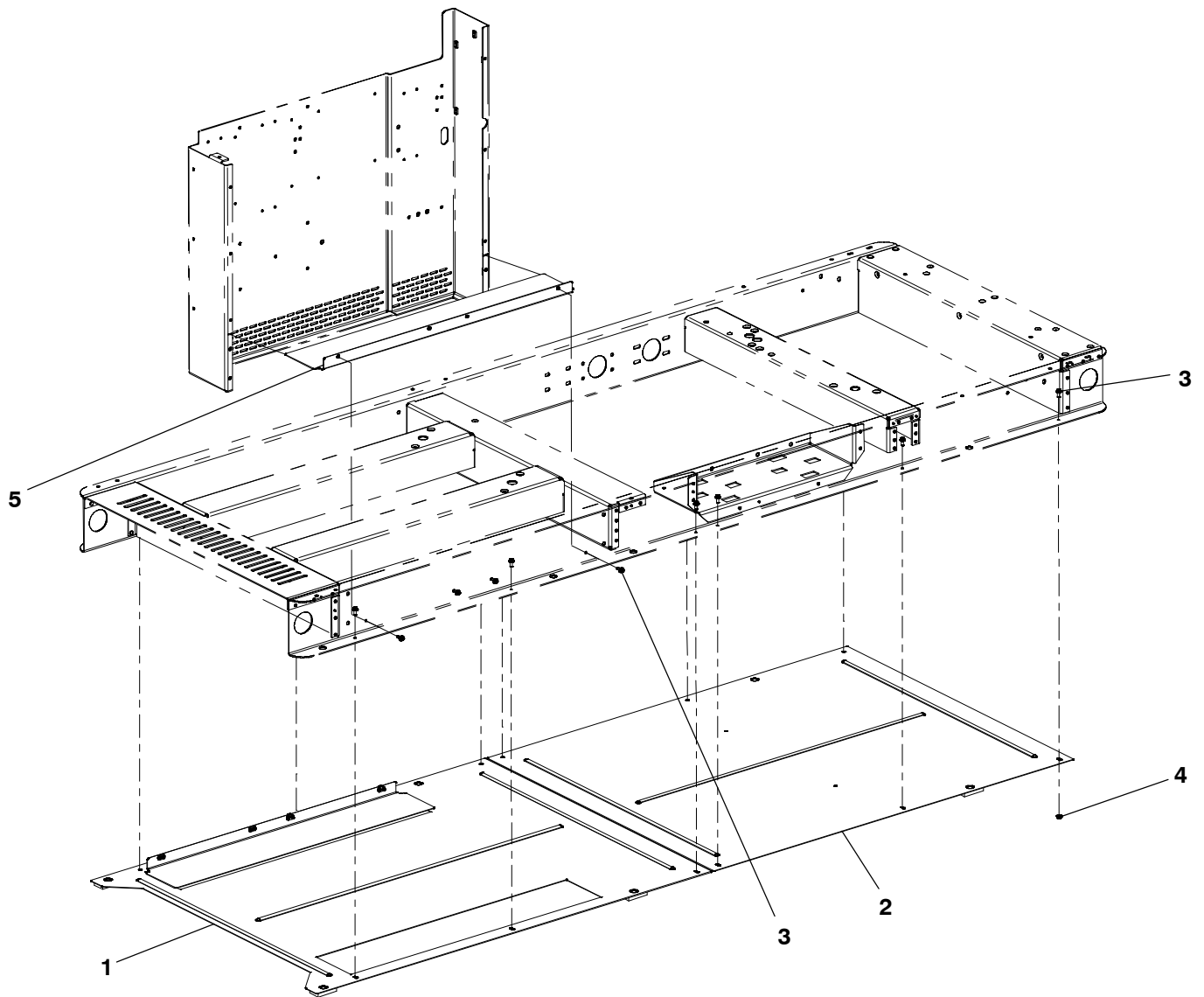
| Item | Part No. | Description | Qty |
|------|-----------|------------------|-----|
| | A057X133 | Kit, Fuel System | 1 |
| 1 | A060S186 | Barrier, Base | 1 |
| 2 | 0526-2081 | Washer, Flat | 19 |
| 3 | 0800-2033 | Screw, Hex Head | 19 |
| 4 | A046E208 | Spacer, Foot | 10 |
| 5 | A060H485 | Cover, Plate | 2 |
| 6 | A050M206 | Cover, Plate | 2 |
| 7 | A060H481 | Cover, Plate | 1 |

Chassis Kit (Skid Pan)



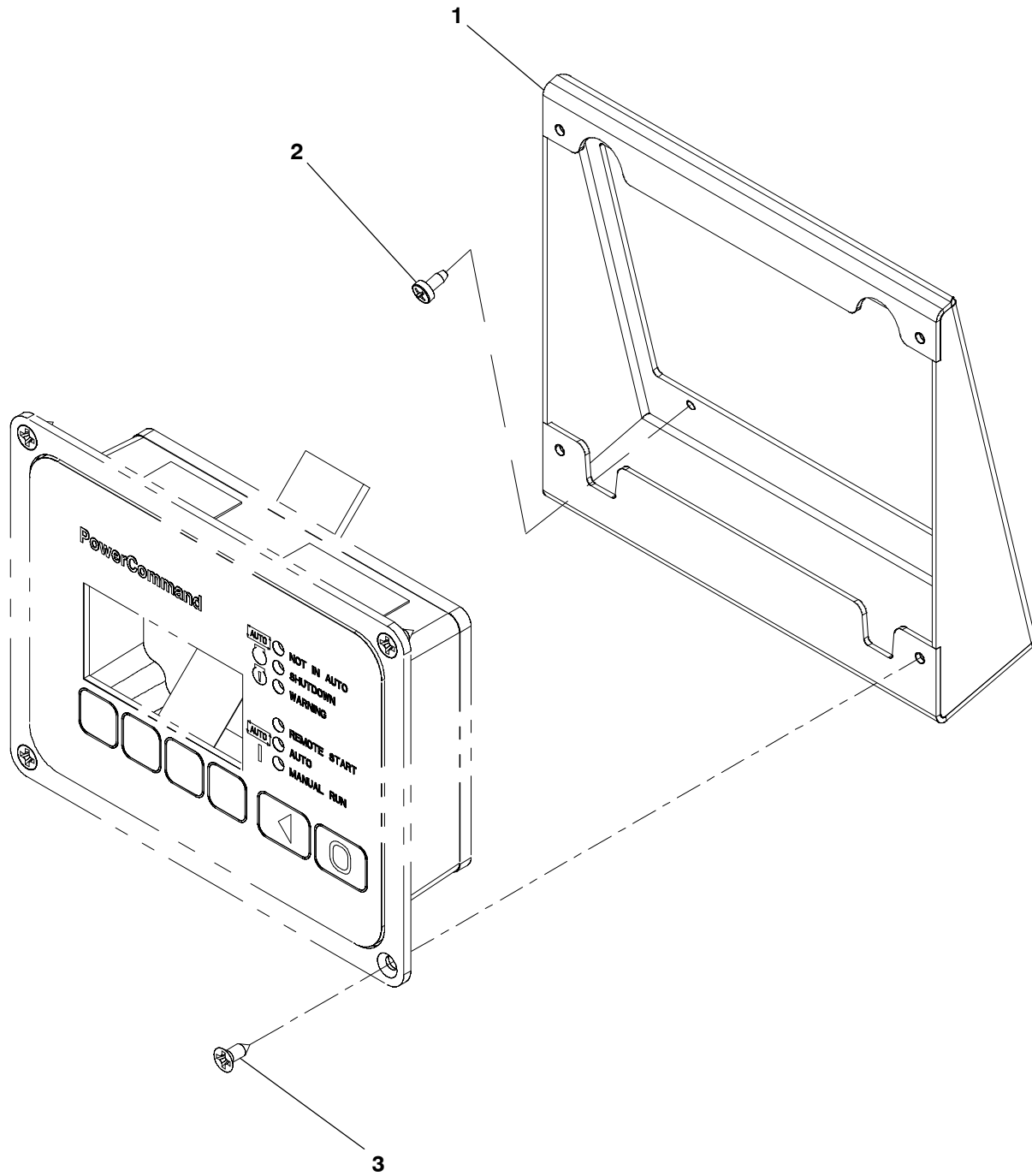
| Item | Part No. | Description | Qty |
|------|--------------|-----------------|-----|
| | A061L303 | Kit, Chassis | 1 |
| 1 | A059P177 | Cover, Plate | 2 |
| 2 | 0815-0857-02 | Screw, Hex Head | 8 |

Chassis Kit (Skid Pan)



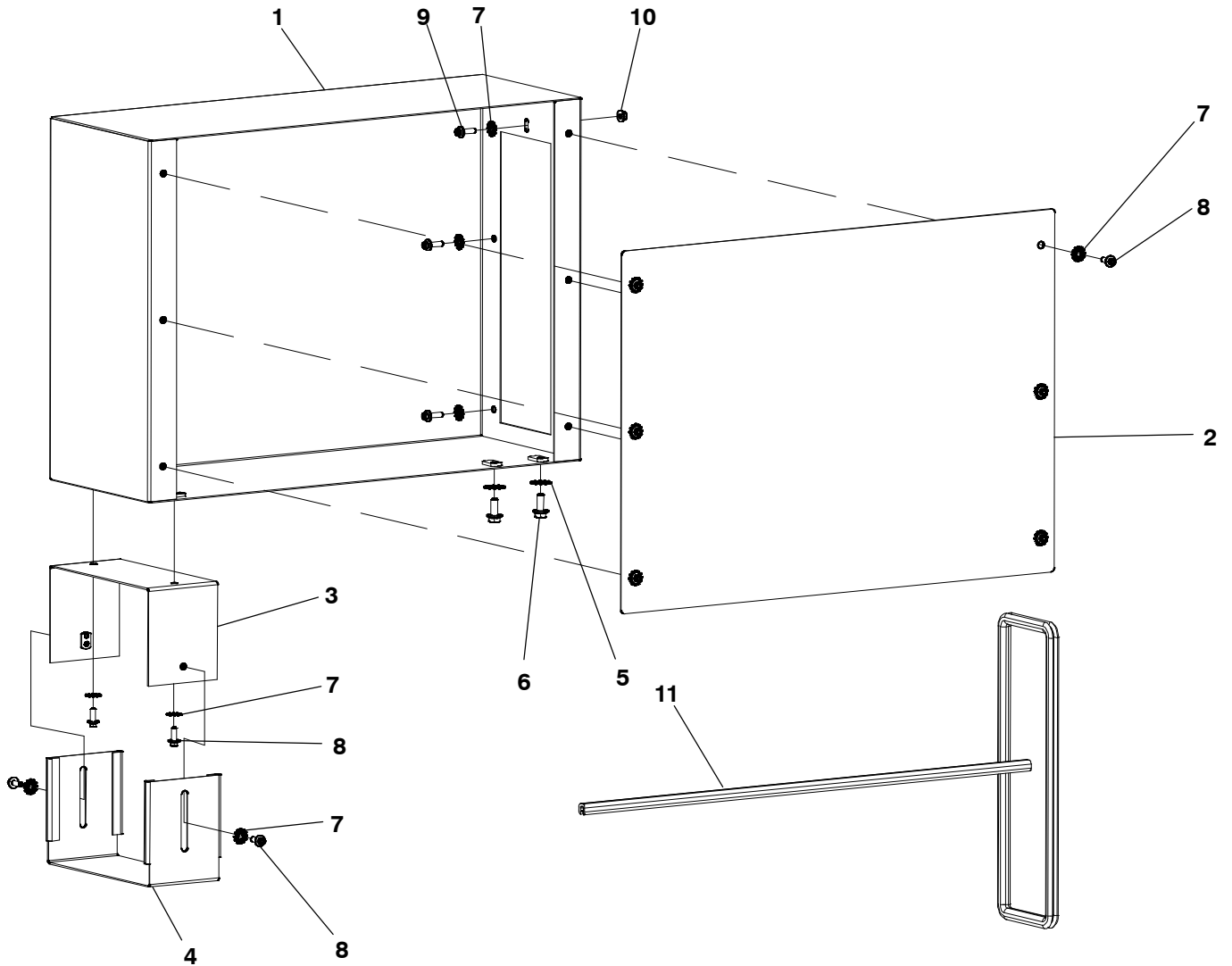
| Item | Part No. | Description | Qty |
|------|--------------|-----------------|-----|
| | A056H773 | Kit, Chassis | 1 |
| 1 | A054X901 | Pan, Skid | 1 |
| 2 | A054X905 | Pan, Skid | 1 |
| 3 | 0815-0857-02 | Screw, Hex Head | 20 |
| 4 | 0870-2065-02 | Nut, Hex Flange | 12 |
| 5 | A059P177 | Cover, Plate | 2 |

Control Panel Electrics Kit



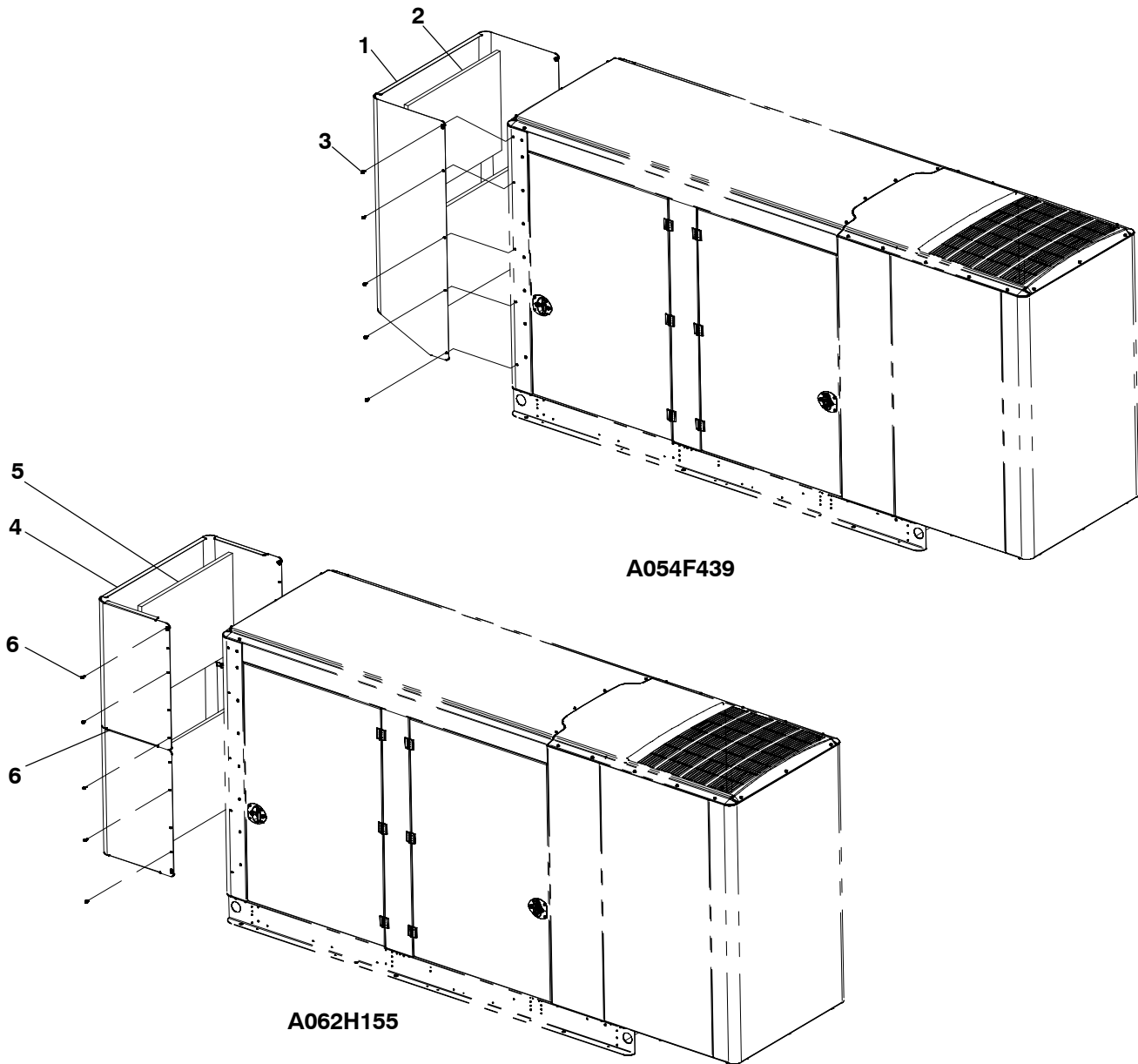
| Item | Part No. | Description | Qty |
|------|--------------|------------------------------|-----|
| | A060K859 | Kit, Control Panel Electrics | 1 |
| 1 | A060H419 | Bracket, Control Mounting | 1 |
| 2 | 0815-0959-02 | Screw, Pan Head | 4 |
| 3 | 0814-2155-01 | Screw, Flat Head | 4 |

Entrance Box Kit



| Item | Part No. | Description | Qty |
|------|--------------|------------------------|-----|
| | A060M822 | Kit, Entrance Box | 1 |
| 1 | A060K090 | Box, Entrance | 1 |
| 2 | A060K065 | Cover, Box | 1 |
| 3 | A060M834 | Foot, Mounting | 1 |
| 4 | A060K071 | Foot, Mounting | 1 |
| 5 | 0856-0010 | Washer, Lock | 2 |
| 6 | 0800-6524-02 | Screw, Hex Flange Head | 2 |
| 7 | 0856-0006 | Washer, Lock | 13 |
| 8 | 0815-0857-02 | Screw, Hex Head | 10 |
| 9 | 0815-0857-03 | Screw, Hex Head | 3 |
| 10 | 0870-2065-02 | Nut, Hex Flange | 1 |
| 11 | 0508-1287 | Edging | 1 |

Enclosure Kit (SL2 Duct)



| Item | Part No. | Description | Qty |
|------|----------|-------------------------------|-----|
| | A054F439 | Kit, Enclosure (Spec A) | 1 |
| 1 | A054F441 | Duct, Inlet | 1 |
| 2 | A055U613 | Insulation, Panel | 2 |
| 3 | A050P483 | Screw, Hex Flange Head | 10 |
| | A062H155 | Kit, Enclosure (Begin Spec B) | 1 |
| 4 | A062J646 | Duct, Inlet | 2 |
| 5 | A055U613 | Insulation, Panel | 2 |
| 6 | A050P483 | Screw, Hex Flange Head | 18 |

Remote HMI Display Kit (HMI 220)

| Item | Part No. | Description | Qty |
|------|--------------|--|-----|
| | A041J582 | Kit, Remote HMI 220 (Includes the Following Parts) | 1 |
| 1 | 0300-6314-03 | Control, Genset | 1 |
| 2 | 0323-2091 | Connector, Plug | 1 |
| 3 | 0323-2456 | Connector, Plug | 1 |
| 4 | 0323-2466 | Contact, Socket | 19 |

Audible Alarm Kit

| Item | Part No. | Description | Qty |
|------|--------------|--|-----|
| | A043F059 | Kit, 12V Alarm Module (Includes the Following Parts) | 1 |
| 1 | 0300-3998-02 | Module, Alarm | 1 |
| 2 | A042Y707 | Screw, Pan Head | 2 |
| 3 | 0332-1794 | Tie, Cable | 4 |
| 4 | 0226-4696 | Lead, Electrical | 1 |

Customer Relay Kit

| Item | Part No. | Description | Qty |
|------|--------------|--|-----|
| | A044Z053 | Kit, Customer Relay (Includes the Following Parts) | |
| 1 | A042Z041 | Harness, Relay (Includes Parts Marked *) | 1 |
| 2 | A042Y727 | Screw, Pan Head | 2 |
| 3 | A044D694 | Tie, Cable | 2 |
| 4 | A043B108 | Harness, Generator Electrical | 1 |
| 5 | A043E872 | Screw, Pan Head | 1 |
| 6 | 0307-2873 | *Relay, Control | 2 |
| 7 | 0332-3388 | *Tie, Cable | 8 |
| 8 | 0332-2879-02 | *Rail, Terminal | 1 |
| 9 | 0332-4320 | *Block, Terminal | 2 |
| 10 | 0332-3491-01 | *Terminal, Pin | 9 |
| 11 | 0305-1009 | *Suppressor, Voltage | 2 |

E-Stop Kit

| Item | Part No. | Description | Qty |
|------|-----------|--|-----|
| | A044Z051 | Kit, E-Stop (Includes the Following Parts) | |
| 1 | A043E232 | Harness, Generator Electrical | 1 |
| 2 | 0308-1177 | Bezel, Switch | 1 |
| 3 | 0319-6766 | Guard, Electrical | 1 |

Auxiliary Input/Output Signal Kit

| Item | Part No. | Description | Qty |
|------|-----------|---|-----|
| | A044Z055 | Kit, Auxiliary Input/Output Signal (Includes the Following Parts) | |
| 1 | 0327-1536 | Card, Input Output | 1 |
| 2 | A044A588 | Cover, Protection | 1 |
| 3 | A043A230 | Harness, Circuit Card | 1 |
| 4 | A042Y707 | Screw, Pan Head | 4 |
| 5 | A044D694 | Tie, Cable | 3 |
| 6 | A043B108 | Harness, Generator Electrical | 1 |
| 7 | A043E872 | Screw, Pan Head | 1 |
| 8 | A042X751 | Guard, Electrical | 1 |
| 9 | A042Y727 | Screw, Pan Head | 3 |

Remote Annunciator Kit

| Item | Part No. | Description | Qty |
|------|--------------|--|-----|
| 1 | | Kit, Annunciator – Remote (Includes Items 2 through 5) | |
| | A045J199 | Panel Mount | 1 |
| | A045J201 | With Enclosure | 1 |
| 2 | 0332-1794 | Tie, Cable | 3 |
| 3 | 0332-1789 | Splice, Window | 6 |
| 4 | 0338-4906 | Harness, Wiring | 1 |
| 5 | | Annunciator | |
| | 0300-5929-01 | Panel Mount | 1 |
| | 0300-5929-02 | With Enclosure | 1 |

Remote Bargraph Kit

| Item | Part No. | Description | Qty |
|------|--------------|---|-----|
| | A045J203 | Kit, Bargraph – Remote (Includes the Following Parts) | |
| 1 | 0300-6050-03 | Display, Control | 1 |
| 2 | 0323-2192-01 | Connector, Plug | 1 |
| 3 | 0332-1794 | Tie, Cable | 3 |
| 4 | 0332-1789 | Splice, Window | 6 |
| 5 | 0323-2192-04 | Connector, Plug | 1 |

Miscellaneous Accessory Kits

| | | | |
|---|-----------|--|---|
| | A043X785 | Auxiliary Contacts | |
| | A043X760 | Installation, Shunt | |
| | A046L319 | Enclosure Paint Touch Up Kit – 1/2 oz. Bottle (Green) | |
| | A046S274 | Kit, Accessories – Generator Electrical Harness (Includes the Following 2 Parts) | |
| 1 | A047K762 | Harness, Generator Electrical | 1 |
| 2 | 0332-1789 | Splice, Window | 3 |

Silencer Exhaust – Accessory List

| SILENCER TYPE | CONFIGURATION | CONNECTION | PART NUMBER | C125D6D | C150D6D | C175D6D | C200D6D |
|--------------------------------------|---------------|------------|--------------|---------|---------|---------|---------|
| MOUNTED WEATHER ENCLOSURE | N/A | N/A | A056H923 | X | X | X | X |
| MOUNTED SOUND ATTENUATING ENCLOSURES | N/A | N/A | A053S148 | X | X | X | X |
| INDUSTRIAL | EIEO | 4 INCH NPT | 0155-2063-04 | X | X | | |
| INDUSTRIAL | EIEO | 5 INCH ASA | 0155-2063-05 | X | X | X | X |
| INDUSTRIAL | EIEO | 6 INCH ASA | 0155-2063-06 | X | X | X | X |
| INDUSTRIAL | SIEO | 4 INCH NPT | 0155-2340-06 | X | X | | |
| INDUSTRIAL | SIEO | 5 INCH ASA | 0155-2340-05 | X | X | X | X |
| INDUSTRIAL | SIEO | 6 INCH ASA | 0155-2340-01 | X | X | X | X |
| INDUSTRIAL | MIEO | 4 INCH NPT | 0155-2694-01 | X | X | | |
| INDUSTRIAL | MIEO | 5 INCH ASA | 0155-2694-02 | X | X | X | X |
| INDUSTRIAL | MIEO | 6 INCH ASA | 0155-2694-03 | X | X | X | X |
| RESIDENTIAL | EIEO | 4 INCH NPT | 0155-2064-04 | X | X | | |
| RESIDENTIAL | EIEO | 5 INCH ASA | 0155-2064-05 | X | X | X | X |
| RESIDENTIAL | EIEO | 6 INCH ASA | 0155-2064-06 | X | X | X | X |
| RESIDENTIAL | SIEO | 4 INCH NPT | 0155-2341-06 | X | | | |
| RESIDENTIAL | SIEO | 5 INCH ASA | 0155-2341-05 | X | X | X | X |
| RESIDENTIAL | SIEO | 6 INCH ASA | 0155-2341-01 | X | X | X | X |
| RESIDENTIAL | MIEO | 4 INCH NPT | 0155-2695-01 | X | | | |
| RESIDENTIAL | MIEO | 5 INCH ASA | 0155-2695-02 | X | X | X | X |
| RESIDENTIAL | MIEO | 6 INCH ASA | 0155-2695-03 | X | X | X | X |
| CRITICAL | EIEO | 5 INCH ASA | 0155-2065-05 | X | X | X | X |
| CRITICAL | EIEO | 6 INCH ASA | 0155-2065-06 | X | X | X | X |
| CRITICAL | SIEO | 5 INCH ASA | 0155-2342-05 | X | X | X | X |
| CRITICAL | SIEO | 6 INCH ASA | 0155-2342-01 | X | X | X | X |
| CRITICAL | MIEO | 5 INCH ASA | 0155-2696-02 | X | X | X | X |
| CRITICAL | MIEO | 6 INCH ASA | 0155-2696-03 | X | X | X | X |
| SUPER CRITICAL | EIEO | 5 INCH ASA | 0155-3442-02 | X | X | X | X |
| SUPER CRITICAL | EIEO | 6 INCH ASA | 0155-3442-03 | X | X | X | X |

Topical Index

A

Adapter, Duct, **30**
Adapter, Exhaust, **195**
Alternator – Complete, **36**

B

Bar, Neutral, **145 , 147 , 149 , 151 , 153 , 155**
Barrier, Base, **202 , 203**
Barrier, Phase, **49 , 51 , 161 , 163**
Battery, **196**
Bezel, Switch, **120 , 121 , 122 , 123 , 209**
Block, Terminal – Battery Charger, **113**
Box, Circuit Breaker, **145 , 151 , 157 , 161**
Box, Connection – Left Facing Control, **47**
Box, Connection – Left Facing Control (C150N6) –
60Hz, Reconnect, Full Output, **46**
Box, Control (1302 and AUX 101), **129**
Box, Control (1302 and Customer Relay, AUX 101), **133**

Box, Control (1302 and Customer Relay), **131**
Box, Control (1302), **127**
Box, Control (2300 and AUX 101), **117**
Box, Control (2300 and Customer Relay, AUX 101), **125**

Box, Control (2300 and Customer Relay), **119**
Box, Control (2300), **115**
Brace, Panel, **115 , 117 , 119 , 125 , 127 , 129 , 131 ,
133**
Breaker, Circuit, **145 , 147 , 149 , 151 , 153 , 155 , 157 ,
159 , 161 , 163**
Breaker, Circuit – Lock Out, **199**
Busbar – Delta, Double Delta, **51**
Busbar – Low, High Wye, **49**
Busbar, Breaker, **157 , 159**
Busbar, Copper, **49 , 51 , 145 , 151 , 157 , 161**
Busbar, Neutral, **189 , 190**

C

Cap, Fuel Tank, **63**
Cap, Pressure, **25 , 200**
Cap, Vent, **65 , 67 , 201**
Card, Control, **115 , 117 , 119 , 125 , 127 , 129 , 131 ,
133**
Card, Input Output, **117 , 125 , 210**
Charger, Battery, **112 , 197**
Chassis, **53**
Chassis – Installation, **53**
Circuit Breakers (125A–250A) Position "A" (Right Side),
151
Circuit Breakers (125A–250A) Position "B" (Center),
153
Circuit Breakers (125A–250A) Position "C" (Left Side),
155
Circuit Breakers (15A–100A) Position "A" (Right Side),
145
Circuit Breakers (15A–100A) Position "B" (Center), **147**
Circuit Breakers (15A–100A) Position "C" (Left Side),
149
Circuit Breakers (400A–600A) Position "A" (Right Side),
161
Circuit Breakers (400A–600A) Position "B" (Center),
163
Circuit Breakers (800A) Position "A" (Right Side), **157**
Circuit Breakers (800A) Position "B" (Center), **159**
Cleaner, Air – Heavy Duty, **19**
Cleaner, Air – Normal Duty, **21**
Connector, Terminal Block, **113**
Control, Genset, **122 , 123 , 209**
Cooler, Charge Air, **27**
Cooling System, **23 , 25**
Cover, **55**
Cover, Air Inlet, **77 , 83 , 95 , 103 , 107**
Cover, Air Outlet, **77 , 87 , 91 , 99**
Cover, Circuit Breaker Box, **135 , 137 , 139 , 141 , 143**
Cover, Endbell, **41**
Cover, Plate, **54 , 202 , 203**
Cover, Protection, **210**

Index (Continued)

Cover, Terminal Enclosure, **46 , 47**
Covers, Circuit Breaker – Load Connection (Dual)
(KV04–2), **137 , 139 , 141**
Covers, Circuit Breaker – Load Connection (Single)
(KV03–2), **135**
Covers, Circuit Breaker – Load Connection (Triple)
(KX25–2), **143**
Cup, Circuit Breaker Switch, **135 , 137 , 139 , 141 , 143**

D

Display, Control, **120 , 121 , 122 , 210**
Door, Enclosure, **79 , 87 , 91 , 99 , 107**
Drain, Oil, **16**

E

Edging, **115 , 117 , 119 , 125 , 127 , 129 , 131 , 133 ,
145 , 147 , 149 , 151 , 153 , 155 , 157 , 161**
Enclosure (F216), **77 , 79 , 80 , 81**
Enclosure (F217), **95 , 96 , 99 , 100 , 103 , 104 , 107 ,
108**
Enclosure (F231), **88 , 92**
Enclosure (F231), **83 , 84 , 87 , 91**
Engine, **13**
Engine Accessories, **13 , 15**
Exhaust, Silencer, **212**

F

Fan, Radiator, **13**
Fasteners, Generator, **42**
Filter, Air, **19 , 21**
Filter, Air – Replacement, **19**

G

Gasket, Door, **77 , 83**
Gauge, Fuel – Electronic, **74**
Gauge, Fuel – Mechanical, **73**
Gauge, Sight, **25**
Generator – UC274 – 1 Bearing, 4 Pole, **39**

Grommet, **115 , 117 , 119 , 125 , 127 , 129 , 131 , 133**
Guard, Alternator, **46 , 47**
Guard, Electrical, **120 , 121 , 122 , 123 , 209**
Guard, Fan, **28**
Guard, Radiator, **28**

H

Harness, Alternating Current, **194**
Harness, Circuit Card, **117 , 125 , 210**
Harness, Engine, **193**
Harness, Extension, **120 , 121**
Harness, Generator Electrical, **115 , 117 , 119 , 120 ,
121 , 122 , 123 , 125 , 127 , 129 , 131 , 133 , 209**
Harness, Relay, **209**
Heater, Alternator, **45**
Heater, Battery, **198**
Heater, Cartridge, **45**
Heater, Coolant, **33**
Heater, Engine, **57**
Heater, Oil, **57**
Holddown, Battery, **13**

I

Indicator, Restriction, **19**
Insulation, Panel, **77 , 79 , 83 , 87 , 91 , 95 , 99 , 103 ,
107**
Isolator, Vibration, **53**

K

Key, **79 , 87 , 91 , 99**
Kit, 12V Alarm Module, **209**
Kit, Accessories, **211**
Kit, Audible Alarm, **209**
Kit, Auxiliary Input/Output Signal, **210**
Kit, Battery Charger, **197**
Kit, Battery Heater, **198**
Kit, Chassis, **204 , 205**

Index (Continued)

Kit, Control Panel Electrics, **206**
Kit, Customer Relay, **209**
Kit, E–Stop, **209**
Kit, Enclosure, **208**
Kit, Enclosure Paint Touch Up, **211**
Kit, Entrance Box, **207**
Kit, Fuel System, **200** , **201** , **202** , **203**
Kit, Remote Annunciator, **210**
Kit, Remote Bargraph, **210**
Kit, Remote HMI Display (HMI 220), **209**
Kits, Miscellaneous Accessory, **211**

L

Labels, **9**
Latch, **79** , **87** , **91** , **99**
Lead, Battery, **13**
Lead, Electrical, **209**
Leads, **164** , **165**
Leads – 1, 2, or 3 Breakers – 1 Phase (15–250A), **181**
Leads – 1, 2, or 3 Breakers – 1 Phase (400–800A)
Position "A", **173**
Leads – 1, 2, or 3 Breakers – 1 Phase (400–800A)
Position "B", **185**
Leads – 2 or 3 Breakers – 3 Phase (15–250A), **183**
Leads – 2 or 3 Breakers – 3 Phase (400–800A) Position
"A", **177**
Leads – 2 or 3 Breakers – 3 Phase (400–800A) Position
"B", **179**
Leads – Single Breaker – 1 Phase (15–250A) Position
"A", **167**
Leads – Single Breaker – 1 Phase (400–800A) Position
"A", **171**
Leads – Single Breaker – 3 Phase (15–250A) Position
"A", **169**
Leads – Single Breaker – 3 Phase (400–800A) Position
"A", **175**
Line, Flexible Fuel, **53**
Link, Terminal, **164** , **165**
Lock, Plate, **199**

Lug, **161** , **163**
Lug, Solderless, **145** , **147** , **149** , **151** , **153** , **155** , **161** ,
163 , **189** , **190**
Lug, Terminal, **157** , **159**

M

Module, Alarm, **68** , **209**

N

Neck, Filler, **62** , **63** , **64**

P

Paint and Thread Sealant, **10**
Pan, Skid, **54**
Panel , Display – HMI 211, Bargraph and E–Stop, **122**
Panel, Alarm – High Fuel, **68**
Panel, Bulkhead, **83** , **95**
Panel, Control, **115** , **117** , **119** , **120** , **121** , **122** , **123** ,
125 , **127** , **129** , **131** , **133**
Panel, Display, **120** , **121** , **122** , **123**
Panel, Display – HMI 320 and E–Stop, **120** , **123**
Panel, Display – HMI 320, Bargraph and E–Stop, **121**
Panel, Electrical, **145** , **149** , **151** , **155** , **157** , **161**
Panel, Enclosure, **77** , **83** , **87** , **91** , **99**
Panel, Guard, **46** , **47**
Pin, Parallel, **41**
Pipe, Exhaust, **109** , **111**
PMG, **41**
Post, Enclosure, **77** , **83** , **95**

R

Radiator, **25**
Relay, Control, **209**
Roof, Enclosure, **77** , **83** , **87** , **91** , **95** , **99** , **103** , **107**
Rotor, Permanent Magnet Generator, **41**

S

Seal, **77** , **83** , **95** , **107**

Index (Continued)

Seal, Door, **95** , **103**
Seal, Edge, **25**
Sender, Low Coolant, **29**
Sensor, Level, **74**
Sensor, Temperature – Battery, **196**
Service Consumables, **10**
Shield, Heat, **13**
Shroud, Fan, **27**
Shroud, Radiator, **27**
Silencer (F216), **109**
Silencer (F231, F217), **111**
Spacer, **41**
Standoff, Insulator, **157** , **159** , **161** , **163** , **189** , **190**
Stator, Permanent Magnet, **41**
Strap, Battery, **53**
Strap, Electrical, **53**
Suppressor, Voltage, **209**
Switch, Fuel Level, **68**

Switch, Fuel Tank – Rupture Basin, **72**
Switch, High Fuel (90%), **69**
Switch, Low Fuel (40%), **70**

T

Tank, Coolant, **27**
Tank, Fuel, **58**
Tank, Fuel , **62**
Tank, Fuel – Installation, **59** , **60** , **61**
Transformer, Current, **188**
Transformer, Current – Mounting, **187**
Tube, Vent, **200** , **201**

V

Valve, Fuel Tank, **71**
Vent, Fuel Tank, **65** , **66** , **67** , **200** , **201**

Numerical Index

| <u>Part No.</u> | <u>Page</u> | <u>Part No.</u> | <u>Page</u> | <u>Part No.</u> | <u>Page</u> | <u>Part No.</u> | <u>Page</u> |
|--|-------------|---|-------------|---|-------------|---|-------------|
| 003-14027, 40 | | 0332-2879-02, 209 | | 0518-0703, 16 , 193 | | 0800-3017-54, 13 | |
| 0098-6030, 33 | | 0332-2987, 165 | | 0526-0174, 13 | | 0800-3017-73, 59 , 60 , 61 | |
| 0098-7895, 13 | | 0332-3024-11, 45 | | 0526-0219, 33 | | 0800-6399, 115 , 117 , 119 , 125 , 127 , 129 , 131 , 133 | |
| 0130-3721-01, 25 | | 0332-3084, 189 , 190 | | 0526-0238-01, 53 | | 0800-6524-01, 13 , 15 , 111 | |
| 0155-2175, 109 , 111 , 195 | | 0332-3388, 209 | | 0526-0399-19, 49 , 51 | | 0800-6524-02, 115 , 117 , 119 , 125 , 127 , 129 , 131 , 133 , 145 , 151 , 157 , 161 , 193 , 207 | |
| 0155-2253, 195 | | 0332-3491-01, 209 | | 0526-0399-54, 120 , 121 | | 0805-0015, 42 | |
| 0155-3372, 109 , 111 | | 0332-3597, 161 , 163 , 189 , 190 | | 0526-0399-61, 27 , 53 , 193 | | 0814-2155-01, 122 , 123 , 206 | |
| 0159-1371-03, 65 , 67 , 200 , 201 | | 0332-3647, 145 , 147 , 149 , 151 , 153 , 155 | | 0526-0399-62, 167 , 169 , 171 , 173 , 175 , 177 , 181 , 183 | | 0815-0709-01, 30 | |
| 0226-4696, 209 | | 0332-4320, 209 | | 0526-0399-64, 13 , 15 | | 0815-0761-01, 41 | |
| 0232-3462-02, 41 | | 0333-0736-02, 33 | | 0526-0399-66, 59 , 60 , 61 | | 0815-0781, 23 , 25 , 27 , 111 | |
| 0300-3998-02, 209 | | 0338-4906, 210 | | 0526-2050, 45 | | 0815-0792-03, 120 , 121 | |
| 0300-5929-01, 210 | | 0402-0779-05, 53 | | 0526-2081, 202 , 203 | | 0815-0829-06, 53 | |
| 0300-5929-02, 210 | | 0406-0782, 79 , 87 , 91 , 99 | | 0526-2106, 15 , 27 | | 0815-0857-02, 27 , 28 , 46 , 47 , 54 , 111 , 115 , 117 , 119 , 120 , 121 , 122 , 123 , 125 , 127 , 129 , 131 , 133 , 135 , 137 , 139 , 141 , 143 , 145 , 149 , 151 , 155 , 157 , 161 , 204 , 205 , 207 | |
| 0300-6014, 122 , 123 | | 0406-1234, 199 | | 0526-2140, 19 , 21 | | 0815-0857-03, 112 , 207 | |
| 0300-6050-02, 122 | | 0502-0942, 33 | | 0725-1102, 15 | | 0815-0857-06, 27 | |
| 0300-6050-03, 210 | | 0502-0943, 33 | | 0750-1006, 190 | | 0815-0859-02, 15 | |
| 0300-6314-03, 209 | | 0502-1162, 23 | | 0775-0049, 41 | | 0815-0954-03, 161 , 163 | |
| 0300-6315-01, 120 , 121 | | 0503-0446, 23 | | 0800-0002, 149 , 155 | | 0815-0959-02, 206 | |
| 0300-6366-02, 121 | | 0503-0685, 23 | | 0800-0003, 145 , 147 , 151 , 153 , 161 , 163 | | 0819-1165-02, 119 , 125 , 131 , 133 | |
| 0305-1009, 209 | | 0503-1140, 23 | | 0800-0004, 189 , 190 | | 0819-1165-09, 115 , 117 , 119 , 125 , 127 , 129 , 131 , 133 | |
| 0307-2873, 209 | | 0503-1142, 23 | | 0800-0005, 161 , 163 , 189 , 190 | | 0821-2060, 19 , 21 | |
| 0308-1177, 120 , 121 , 122 , 123 , 209 | | 0503-1870-07, 19 | | 0800-0006, 145 , 151 , 157 , 161 , 189 | | 0821-6001-02, 41 , 145 , 147 , 149 , 151 , 153 , 155 , 157 , 163 | |
| 0319-6766, 120 , 121 , 122 , 123 , 209 | | 0503-1870-08, 21 | | 0800-0007, 145 , 147 , 149 , 151 , 153 , 155 , 157 , 161 , 163 | | 0821-6002-03, 33 | |
| 0323-2091, 209 | | 0503-1870-10, 19 | | 0800-0051, 49 , 51 | | 0821-6002-08, 187 | |
| 0323-2192-01, 210 | | 0503-1872-05, 23 , 27 | | 0800-0310-33, 157 , 159 | | 0821-6003-01, 55 , 77 , 81 , 83 , 84 , 87 , 88 , 91 , 92 , 95 , 96 , 99 , 100 , 103 , 104 , 107 , 108 , 193 | |
| 0323-2192-04, 210 | | 0503-2157-01, 33 | | 0800-0310-36, 145 , 151 , 157 , 159 , 161 | | 0822-3075, 45 | |
| 0323-2456, 209 | | 0503-2791-03, 33 | | 0800-0310-38, 157 , 159 | | 0850-0114-55, 13 | |
| 0323-2466, 209 | | 0503-2791-04, 33 | | 0800-0310-39, 157 , 159 | | 0850-2004, 45 | |
| 0327-1536, 117 , 125 , 129 , 133 , 210 | | 0505-0019, 33 | | 0800-0607, 53 | | | |
| 0331-0532, 68 | | 0505-0021, 33 | | 0800-2033, 202 , 203 | | | |
| 0332-0941, 59 , 60 , 61 , 74 | | 0505-0131, 33 | | 0800-2101, 13 | | | |
| 0332-1389, 187 | | 0505-0172, 62 , 63 | | 0800-2111, 16 , 19 , 21 , 33 | | | |
| 0332-1789, 210 , 211 | | 0505-0173, 66 | | 0800-3017-20, 190 | | | |
| 0332-1794, 23 , 33 , 34 , 41 , 45 , 57 , 79 , 80 , 87 , 88 , 91 , 92 , 99 , 100 , 107 , 108 , 112 , 187 , 194 , 198 , 209 , 210 | | 0505-0394, 69 | | 0800-3017-36, 167 , 169 , 171 , 173 , 175 , 177 , 181 , 183 | | | |
| 0332-2744-02, 157 , 159 | | 0508-1122, 115 , 117 , 119 , 125 , 127 , 129 , 131 , 133 | | | | | |
| | | 0508-1197, 25 | | | | | |
| | | 0508-1287, 207 | | | | | |
| | | 0517-0131, 135 , 137 , 139 | | | | | |

Numerical Index (Continued)

| <u>Part No.</u> | <u>Page</u> | <u>Part No.</u> | <u>Page</u> | <u>Part No.</u> | <u>Page</u> | <u>Part No.</u> | <u>Page</u> |
|--|-------------|-----------------|-------------|---|-------------|---|-------------|
| 0850-2006, 41 , 189 , 190 | | 330-10049, 40 | | 518-0601, 10 | | A043L619, 151 , 153 , 155 | |
| 0850-2008, 190 | | 330-10069, 39 | | 525-0305, 10 | | A043W505, 127 , 129 , 131 , 133 | |
| 0850-2010, 41 | | 330-10076, 40 | | 5314964, 15 | | A043X760, 211 | |
| 0851-0022, 145 , 151 , 157 , 159 , 161 | | 330-10137, 39 | | 5318803, 15 | | A043X785, 211 | |
| 0851-0027, 145 , 147 , 149 , 151 , 153 , 155 , 157 , 161 , 163 , 189 , 190 | | 330-10147, 164 | | A029H218, 200 , 201 | | A044A588, 210 | |
| 0851-0028, 161 , 163 | | 330-10381, 39 | | A029M562, 41 | | A044B045, 42 | |
| 0853-2006, 115 , 117 , 119 , 125 , 127 , 129 , 131 , 133 | | 330-10382, 39 | | A041J582, 209 | | A044D694, 29 , 41 , 45 , 70 , 112 , 115 , 117 , 119 , 125 , 127 , 129 , 131 , 133 , 209 , 210 | |
| 0853-2008, 77 , 79 , 80 , 81 , 83 , 84 , 87 , 88 , 91 , 92 , 95 , 96 , 99 , 100 , 103 , 104 , 107 , 108 | | 330-10383, 39 | | A042N319, 41 | | A044F254, 9 | |
| 0856-0006, 46 , 47 , 115 , 117 , 119 , 120 , 121 , 122 , 123 , 125 , 127 , 129 , 131 , 133 , 135 , 137 , 139 , 141 , 143 , 145 , 147 , 149 , 151 , 153 , 155 , 157 , 161 , 163 , 207 | | 330-10384, 39 | | A042N860, 145 , 147 , 149 , 151 , 153 , 155 , 157 , 159 , 161 , 163 , 193 | | A044F269, 145 , 147 , 149 , 151 , 153 , 155 , 157 , 159 , 161 , 163 | |
| 0856-0010, 13 , 15 , 53 , 115 , 117 , 119 , 125 , 127 , 129 , 131 , 133 , 145 , 151 , 157 , 159 , 161 , 207 | | 330-10387, 39 | | A042X751, 210 | | A044G477, 13 , 53 | |
| 0860-2005, 45 | | 330-10388, 39 | | A042Y707, 209 , 210 | | A044H599, 145 , 147 , 149 , 151 , 153 , 155 , 157 , 159 , 161 , 163 | |
| 0860-2008, 15 | | 330-10389, 39 | | A042Y727, 209 , 210 | | A044M499, 9 | |
| 0862-0001, 189 , 190 | | 330-10601, 39 | | A042Z041, 119 , 125 , 131 , 133 , 209 | | A044M619, 9 | |
| 0862-0026-58, 59 , 60 | | 330-10602, 39 | | A043A230, 117 , 125 , 129 , 133 , 210 | | A044M633, 9 | |
| 0862-0044, 53 | | 330-10604, 39 | | A043B108, 117 , 119 , 125 , 129 , 131 , 133 , 209 , 210 | | A044Y564, 9 | |
| 0870-0550-09, 49 , 51 , 157 , 159 | | 330-10609, 39 | | A043D534, 196 | | A044Z051, 209 | |
| 0870-2055, 161 , 163 | | 330-10622, 39 | | A043E232, 120 , 121 , 122 , 123 , 209 | | A044Z053, 209 | |
| 0870-2065-02, 54 , 205 | | 330-1280, 39 | | A043E872, 117 , 119 , 125 , 129 , 131 , 133 , 209 , 210 | | A044Z055, 210 | |
| 0870-2065-03, 77 , 79 , 80 , 81 , 83 , 84 , 87 , 88 , 91 , 92 , 95 , 96 , 99 , 100 , 103 , 104 , 107 , 108 , 200 , 201 | | 3963990, 15 | | A043F059, 209 | | A045J199, 210 | |
| 0898-1389, 187 | | 410-10536, 39 | | A043K991, 151 , 153 , 155 | | A045J201, 210 | |
| 210-1037, 39 | | 45-0075A, 39 | | A043K994, 151 , 153 , 155 | | A045J203, 210 | |
| 230-1497, 39 | | 45-0117, 40 | | A043K997, 145 , 147 , 149 | | A045P632, 196 | |
| 310-1028, 39 | | 45-0118, 40 | | A043L012, 145 , 147 , 149 | | A045R833, 198 | |
| 330-10001, 40 | | 45-0188, 40 | | A043L024, 145 , 147 , 149 | | A045T423, 68 | |
| 330-1002, 39 | | 45-0367, 40 | | A043L451, 145 , 147 , 149 | | A045T464, 71 | |
| 330-10020, 40 | | 45-0428, 39 | | A043L459, 145 , 147 , 149 | | A045T470, 71 | |
| | | 45-0522, 40 | | A043L461, 145 , 147 , 149 | | A045T481, 62 | |
| | | 45-0523, 40 | | A043L464, 145 , 147 , 149 | | A045U164, 161 , 163 | |
| | | 45-0524, 40 | | A043L475, 145 , 147 , 149 | | A045U169, 161 , 163 | |
| | | 45-0634, 40 | | A043L480, 145 , 147 , 149 | | A045Z195, 63 | |
| | | 45-0742, 40 | | A043L480, 145 , 147 , 149 | | A045Z943, 83 , 103 | |
| | | 45-0863, 40 | | A043L506, 145 , 147 , 149 | | A046A708, 41 | |
| | | 45-0868, 39 | | A043L508, 145 , 147 , 149 | | A046A715, 42 | |
| | | 45-0912, 40 | | A043L510, 151 , 153 , 155 | | A046D267, 34 , 113 | |
| | | 45-1080, 39 | | A043L517, 151 , 153 , 155 | | A046E208, 203 | |
| | | 450-14310, 39 | | A043L520, 151 , 153 , 155 | | A046G477, 34 , 45 , 57 , 112 , 198 | |
| | | 450-14360, 39 | | | | | |
| | | 450-14450, 39 | | | | | |
| | | 450-15617, 39 | | | | | |
| | | 4894721, 15 | | | | | |

Numerical Index (Continued)

| <u>Part No.</u> | <u>Page</u> | <u>Part No.</u> | <u>Page</u> | <u>Part No.</u> | <u>Page</u> | <u>Part No.</u> | <u>Page</u> |
|---|-------------|--|-------------|---|-------------|---|-------------|
| A046K278, 67 | | A048T648, 60 | | A050T121, 19 | | A053Y715, 36 , 37 | |
| A046K280, 201 | | A048T764, 120 , 121 | | A050U243, 79 , 99 , 107 | | A053Z026, 27 | |
| A046L319, 211 | | A048U555, 53 | | A050Y289, 135 , 137 , 139 , 141 , 143 | | A053Z030, 27 | |
| A046P417, 71 | | A048V152, 23 | | A050Y446, 16 | | A053Z032, 25 | |
| A046S274, 211 | | A048V153, 25 | | A051B859, 27 | | A054D634, 72 | |
| A046T081, 87 , 91 , 99 , 107 | | A048V154, 25 | | A051D115, 161 , 163 | | A054D636, 72 | |
| A046V520, 65 | | A049C489, 120 , 121 | | A051F338, 57 | | A054D637, 72 | |
| A046V710, 59 , 60 , 61 | | A049E982, 41 | | A051G977, 149 , 151 , 153 , 155 | | A054D953, 115 , 117 , 119 , 125 , 127 , 129 , 131 , 133 | |
| A047C587, 23 | | A049H456, 77 , 83 , 95 , 103 | | A052E279, 9 | | A054E522, 53 | |
| A047C748, 200 , 201 | | A049H458, 77 , 83 , 95 , 103 | | A052H541, 145 , 147 , 149 , 151 , 153 , 155 , 157 , 161 | | A054E524, 15 | |
| A047D352, 190 | | A049V689, 45 | | A052N205, 187 | | A054E584, 10 , 19 | |
| A047K009, 16 | | A049Z457, 111 | | A052N209, 187 | | A054E620, 157 , 159 | |
| A047K762, 211 | | A049Z459, 111 | | A052N595, 173 , 177 | | A054F439, 208 | |
| A047M180, 10 , 21 | | A050A053, 30 | | A052U030, 41 | | A054F441, 208 | |
| A047U747, 145 , 151 | | A050A057, 30 | | A052U299, 9 | | A054F854, 135 , 137 , 139 , 141 | |
| A047V395, 188 | | A050E021, 135 , 137 , 139 , 141 , 143 | | A052Z191, 53 | | A054F937, 109 | |
| A047V396, 188 | | A050E026, 135 , 137 , 139 | | A053P622, 77 | | A054G163, 73 | |
| A047V397, 188 | | A050F602, 161 , 163 | | A053P632, 79 , 87 , 91 , 99 , 107 | | A054G164, 73 | |
| A047V398, 188 | | A050F841, 15 | | A053P636, 87 , 91 , 99 , 107 | | A054G165, 73 | |
| A047V399, 188 | | A050G752, 145 , 147 , 149 , 151 , 153 , 155 , 157 , 159 , 161 , 163 | | A053P684, 87 , 91 , 99 , 107 | | A054G400, 33 | |
| A047V404, 188 | | A050G754, 161 , 163 | | A053R492, 115 , 117 , 119 , 125 , 127 , 129 , 131 , 133 | | A054J324, 68 , 69 | |
| A048C835, 194 | | A050H838, 30 | | A053S148, 111 | | A054J405, 70 | |
| A048E352, 135 , 137 , 139 , 141 , 143 | | A050J260, 115 , 117 , 119 , 125 , 127 , 129 , 131 , 133 | | A053S154, 111 | | A054J406, 70 | |
| A048F744, 25 | | A050J725, 151 , 153 , 155 | | A053S162, 109 | | A054J407, 70 | |
| A048G602, 197 | | A050J727, 151 , 153 , 155 | | A053T067, 115 , 117 , 119 , 125 | | A054K391, 157 , 159 | |
| A048G912, 9 | | A050M046, 33 | | A053T310, 193 | | A054M271, 30 | |
| A048G915, 9 | | A050M206, 203 | | A053X571, 25 | | A054M402, 13 | |
| A048G917, 9 | | A050N784, 189 , 190 | | A053Y145, 77 , 83 , 95 , 103 | | A054M404, 13 | |
| A048G919, 9 | | A050P483, 53 , 77 , 81 , 83 , 87 , 88 , 91 , 92 , 95 , 99 , 100 , 103 , 107 , 108 , 208 | | A053Y430, 157 , 159 | | A054M423, 115 , 117 , 119 , 125 , 127 , 129 , 131 , 133 | |
| A048G921, 9 | | A050P514, 27 | | A053Y432, 161 , 163 | | A054M425, 120 | |
| A048G923, 9 | | A050R300, 161 , 163 | | A053Y709, 36 , 37 | | A054M427, 121 | |
| A048G925, 9 | | A050R832, 181 , 183 | | A053Y710, 36 , 37 | | A054M429, 120 , 121 , 122 , 123 | |
| A048G927, 9 | | A050R838, 181 , 183 | | A053Y711, 36 , 37 | | A054N121, 135 , 137 , 139 , 143 | |
| A048G929, 9 | | A050R842, 165 , 181 , 183 | | A053Y712, 36 , 37 | | A054N123, 135 , 137 , 139 | |
| A048G949, 23 | | A050R843, 181 , 183 | | A053Y713, 36 , 37 | | A054N125, 141 | |
| A048G965, 115 , 117 , 119 , 125 , 127 , 129 , 131 , 133 | | | | | | A054N127, 141 | |
| A048N088, 25 | | | | | | A054N187, 145 , 151 , 157 , 161 | |
| A048S513, 13 | | | | | | | |
| A048S515, 13 | | | | | | | |

Numerical Index (Continued)

| <u>Part No.</u> | <u>Page</u> | <u>Part No.</u> | <u>Page</u> | <u>Part No.</u> | <u>Page</u> | <u>Part No.</u> | <u>Page</u> |
|--|-------------|---|-------------|--|-------------|--|-------------|
| A054N334, 147, 149, 153, 155 | | 183 | | A056C107, 21 | | A057L196, 157 | |
| A054N338, 163 | | A055N944, 181 | | A056F188, 87, 91 | | A057M138, 19, 21 | |
| A054N340, 157, 159 | | A055N955, 167, 169, 181, 183 | | A056H454, 27 | | A057R073, 109 | |
| A054N415, 46, 47 | | A055N958, 181, 183 | | A056H773, 205 | | A057R146, 68, 69 | |
| A054P279, 53 | | A055N961, 167, 169, 181, 183 | | A056K856, 23 | | A057R148, 68, 69 | |
| A054P821, 115, 117, 119, 125, 127, 129, 131, 133 | | A055N971, 167, 169, 181, 183 | | A056L369, 112 | | A057R717, 73 | |
| A054T035, 49, 51 | | A055N974, 167, 169, 181, 183 | | A056L733, 23 | | A057R719, 73 | |
| A054T037, 49, 51 | | A055N979, 171, 173, 175, 177 | | A056L758, 27 | | A057S038, 73 | |
| A054T049, 83, 95, 103 | | A055N980, 173, 177 | | A056N886, 34 | | A057S740, 64 | |
| A054T548, 25 | | A055N981, 171, 173, 175, 177, 185 | | A056T351, 23 | | A057S741, 64 | |
| A054U805, 9 | | A055N982, 167, 169, 171, 173, 175, 177, 181, 183 | | A056U407, 77, 83, 95, 103 | | A057S742, 64 | |
| A054V300, 163 | | A055P500, 23 | | A056V883, 115, 117, 119, 125, 127, 129, 131, 133 | | A057T414, 70 | |
| A054V542, 19 | | A055P610, 120, 121, 122, 123, 135, 137, 139, 141, 143 | | A056X628, 9 | | A057T416, 70 | |
| A054W590, 49, 51 | | A055P667, 28 | | A056X630, 9 | | A057T418, 70 | |
| A054W662, 77, 83, 95, 103 | | A055R832, 169 | | A056Y392, 58 | | A057T628, 74 | |
| A054W670, 87, 99 | | A055R849, 28 | | A056Y394, 58 | | A057T629, 74 | |
| A054W860, 77, 83, 95, 103 | | A055R855, 28 | | A057A103, 181, 183 | | A057T630, 74 | |
| A054X275, 79, 87, 91, 99, 107 | | A055R910, 33 | | A057A105, 181, 183 | | A057U056, 71 | |
| A054X901, 54, 205 | | A055S002, 58 | | A057A106, 181, 183 | | A057U058, 71 | |
| A054X905, 54, 205 | | A055S320, 46 | | A057A107, 181, 183 | | A057W697, 72 | |
| A054Y527, 27 | | A055T967, 28 | | A057A108, 181, 183 | | A057W698, 72 | |
| A054Z037, 199 | | A055U613, 79, 87, 91, 95, 99, 107, 208 | | A057A109, 171, 173, 175, 177, 179, 185 | | A057W699, 72 | |
| A054Z943, 95 | | A055U615, 87, 91, 99 | | A057A110, 179 | | A057X133, 203 | |
| A055C981, 19, 21 | | A055U617, 83, 87, 95, 99, 103, 107 | | A057A111, 179, 185 | | A058F021, 25 | |
| A055D765, 13 | | A055U619, 87, 99, 107 | | A057B166, 200, 201 | | A058F810, 9 | |
| A055E287, 13 | | A055V743, 91 | | A057B403, 67 | | A058G125, 37 | |
| A055E323, 23 | | A055V762, 28 | | A057B404, 201 | | A058J692, 58 | |
| A055E475, 27 | | A055W810, 27 | | A057C218, 200, 201 | | A058J694, 58 | |
| A055G562, 29 | | A055Z870, 10, 19 | | A057C503, 201 | | A058J695, 58 | |
| A055J635, 46, 47 | | A056B687, 21 | | A057C510, 200, 201 | | A058Y432, 111 | |
| A055J637, 47 | | A056B699, 36, 37 | | A057C848, 66 | | A058Y753, 77 | |
| A055J904, 115, 117, 119, 125, 127, 129, 131, 133 | | A056B701, 36, 37 | | A057C851, 67, 200, 201 | | A059A943, 23 | |
| A055N104, 111 | | A056B704, 19 | | A057E821, 45 | | A059J998, 77 | |
| A055N442, 9 | | | | A057J657, 202 | | A059K007, 77, 83, 95, 103 | |
| A055N936, 183 | | | | A057J840, 202 | | A059M998, 23 | |
| A055N939, 167 | | | | A057J859, 123 | | A059N997, 115, 117, 119, 125, 127, 129, 131, 133 | |
| A055N943, 167, 169, 181, 183 | | | | A057J861, 122 | | A059P177, 54, 204, 205 | |
| | | | | A057K739, 202 | | A059P181, 145, 149, 151, 155, 157, 161 | |
| | | | | A057L163, 59, 61 | | | |

Numerical Index (Continued)

| <u>Part No.</u> | <u>Page</u> | <u>Part No.</u> | <u>Page</u> | <u>Part No.</u> | <u>Page</u> | <u>Part No.</u> | <u>Page</u> |
|---|-------------|---|-------------|----------------------------------|-------------|-----------------------------------|-------------|
| A059P185, 115 , 117 , 119 , 125 , 127 , 129 , 131 , 133 | | A060H485, 203 | | A060M240, 200 | | A062H155, 208 | |
| A059R068, 145 , 151 , 157 , 161 | | A060H959, 115 , 117 , 119 , 125 , 127 , 129 , 131 , 133 | | A060M822, 207 | | A062J646, 208 | |
| A059R237, 19 , 21 | | A060K065, 207 | | A060M834, 207 | | A062J975, 103 , 107 | |
| A059W835, 55 | | A060K071, 207 | | A060S186, 203 | | A062K608, 107 | |
| A059Z752, 87 , 99 | | A060K090, 207 | | A060W304, 13 | | A062X786, 15 | |
| A059Z995, 53 | | A060K859, 206 | | A061L108, 15 | | E000–23412/1P, 40 | |
| A060B526, 53 | | A060L265, 13 | | A061L303, 204 | | E000–24403/1P, 40 | |
| A060H237, 202 | | A060L292, 13 | | A061M241, 9 | | E000–24602/1P, 40 | |
| A060H419, 206 | | A060M236, 200 | | A061V687, 109 | | RSK–2001, 39 | |
| A060H481, 203 | | A060M237, 200 | | A062F775, 91 , 107 | | | |
| | | | | A062F777, 91 , 107 | | | |
| | | | | A062F980, 91 , 107 | | | |

This page is Intentionally blank.

power.cummins.com

Copyright © 2019 Cummins Inc. All rights reserved.

Cummins, the "C" logo, PowerCommand, AmpSentry, and InPower are trademarks of Cummins Inc.

Other company, product, or service names may be trademarks or service marks of others.

Specifications are subject to change without notice.

